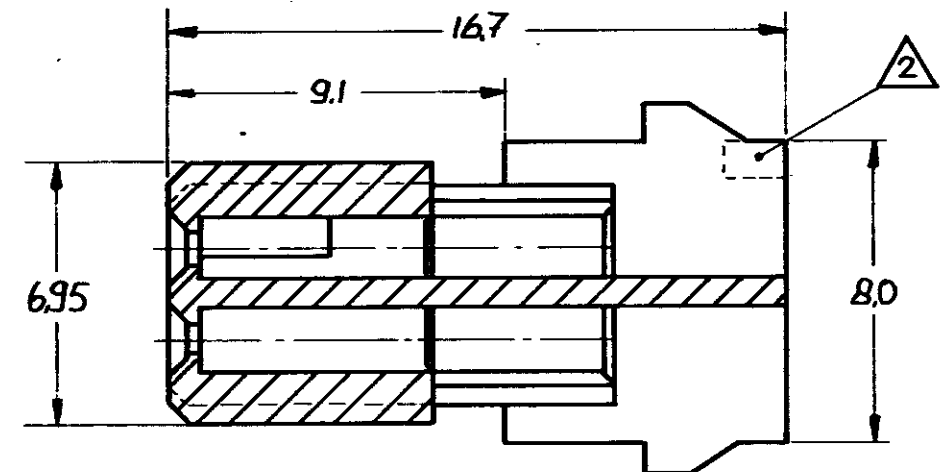
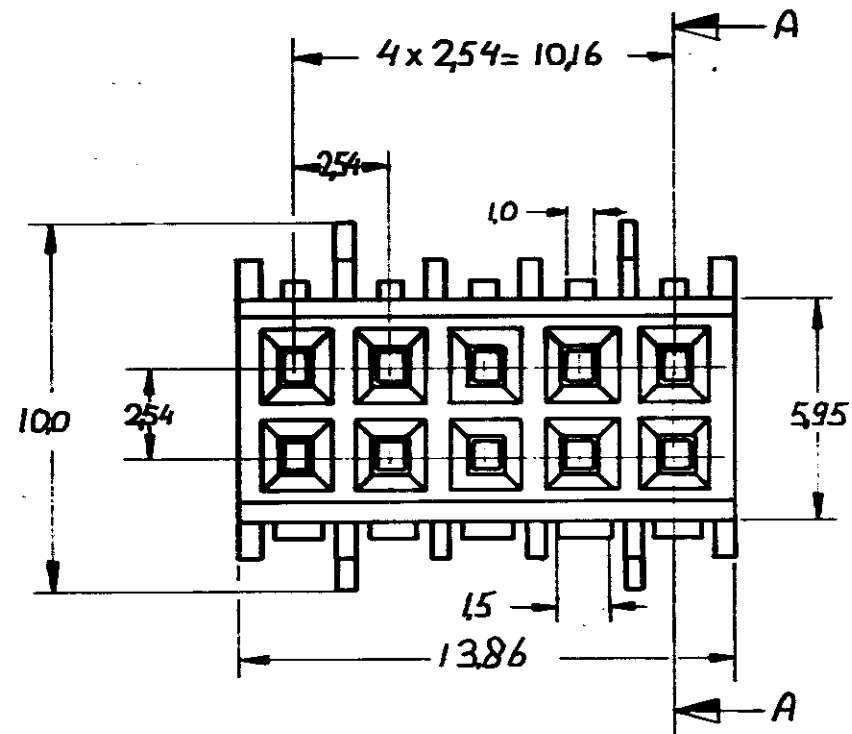
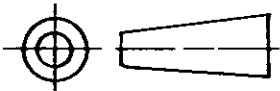


DO NOT SCALE

DIMENSIONS IN mm

METRIC

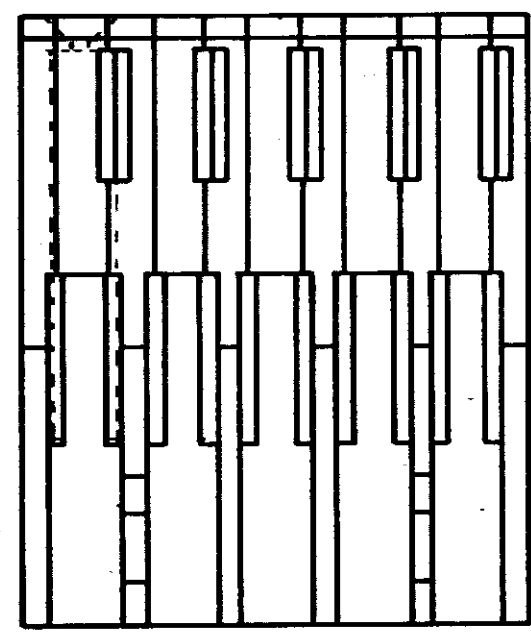
THIRD ANGLE PROJECTION



SECTION A-A

NOTES:

- ① THERMOPLASTIC POLYESTER GLASSFILLED
- ② TWO POLARISING OPENINGS FOR COVER ONLY IN OUTER WALLS AT SIDE OF NARROW RIBS ONLY



COLOUR: GREY,	①	166493-1
COLOUR: WHITE,	①	166493-2
FINISH	MATERIAL	PART NUMBER

<b>CUSTOMER DRAWING</b>  FOR REFERENCE ONLY WILL NOT BE UPDATED	<b>AMP</b>		AMP-HOLLAND B.V. 's-Hertogenbosch, The Netherlands	
	THIS DRAWING IS UNPUBLISHED		RELEASED FOR PUBLICATION .19	
	© COPYRIGHT 19 BY AMP-HOLLAND B.V. ALL INTERNATIONAL RIGHTS RESERVED. AMP PRODUCTS MAY BE COVERED BY U.S. AND FOREIGN PATENTS AND/OR PATENTS PENDING.			
	DR. <i>M. VAES</i> 25-11-82	WIRE RANGE	NAME	REV. DATE
CHK. <i>[Signature]</i> 26-11-82	INSUL. RANGE	2 x 5 POS .100x.100 HOUSING	D M Y 25 11 82	
APP. <i>[Signature]</i> 26.11.82	SIZE A3	SHEET 1 OF 1	DRAWING NO <b>C 166493</b>	REV. LTR. 0