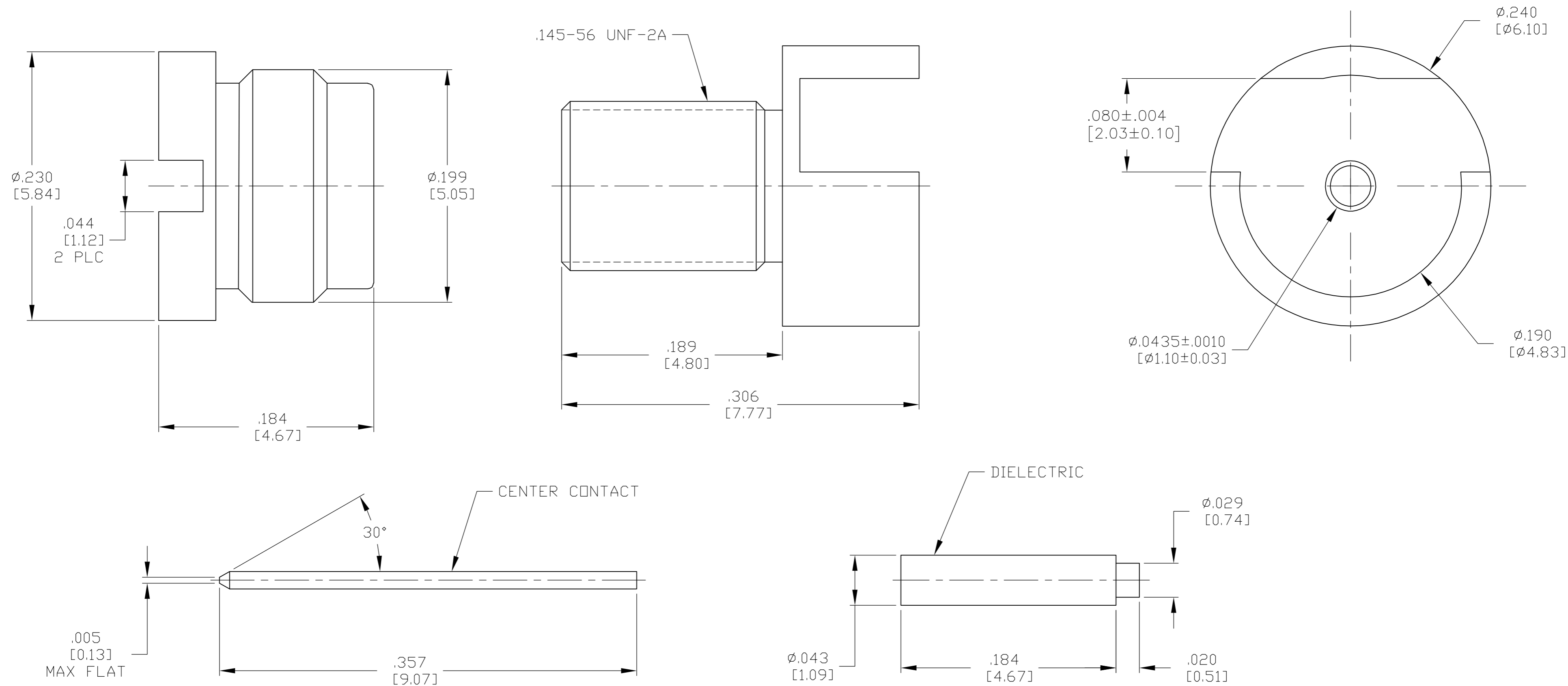


THIS DRAWING IS UNPUBLISHED. RELEASED FOR PUBLICATION
 © COPYRIGHT BY TYCO ELECTRONICS CORPORATION. ALL RIGHTS RESERVED.

LOC	DIST	REVISIONS					
DF	X0	P	LTR	DESCRIPTION	DATE	DWN	APVD
		B		REV PER ECO 06-26023	11-7-06	CT	RG

COMPONENT	MATERIAL	FINISH
SHROUD	STAINLESS STEEL PER ASTM-A-682	PASSIVATED PER AMS-QQ-P-35
DIELECTRIC	PTFE FLUORCARBON PER ASTM-D-1710	-
CENTER CONTACT	BERYLLIUM COPPER PER ASTM-B-196	.000050 MIN GOLD PER ASTM-B-488 OVER .000050 MIN NICKEL PER QQ-N-290
HOUSING	BERYLLIUM COPPER PER ASTM-B-196	.000050 MIN GOLD PER ASTM-B-488 OVER .000050 MIN NICKEL PER QQ-N-290



1. ALL ITEMS SHOWN PACKAGED UNASSEMBLED.

1663678-1
 PART NUMBER

THIS DRAWING IS A CONTROLLED DOCUMENT.		DWN	C.C.THOMAS	10-23-06	Tyco Electronics Corporation Harrisburg, Pa 17105-3608
DIMENSIONS:		CHK	R.GROSS	10-23-06	
INCHES [mm]		APVD	R.GROSS	10-23-06	
		PRODUCT SPEC			
TOLERANCES UNLESS OTHERWISE SPECIFIED:		APPLICATION SPEC			
0 PLC ± -		-			
1 PLC ± -		-			
2 PLC ± -		-			
3 PLC ± .005 [0.13]		-			
4 PLC ± -		-			
ANGLES ± -		-			
FINISH		-			
SEE TABLE		SEE TABLE			
MATERIAL		WEIGHT		-	
SEE TABLE		CUSTOMER DRAWING			
SIZE		CAGE CODE	DRAWING NO	RESTRICTED TO	
A2		00779	C=1663678	-	
SCALE		SHEET	OF	REV	
10:1		1	1	B	