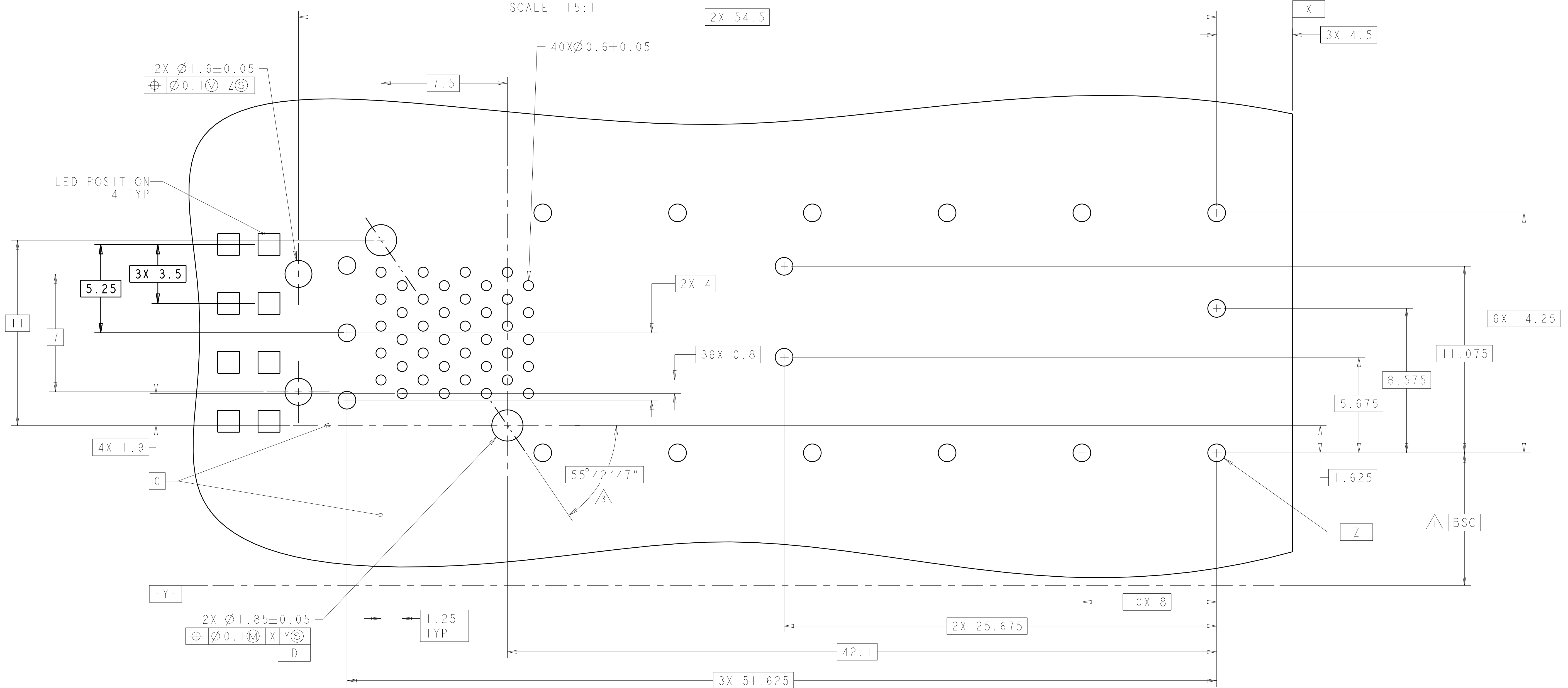
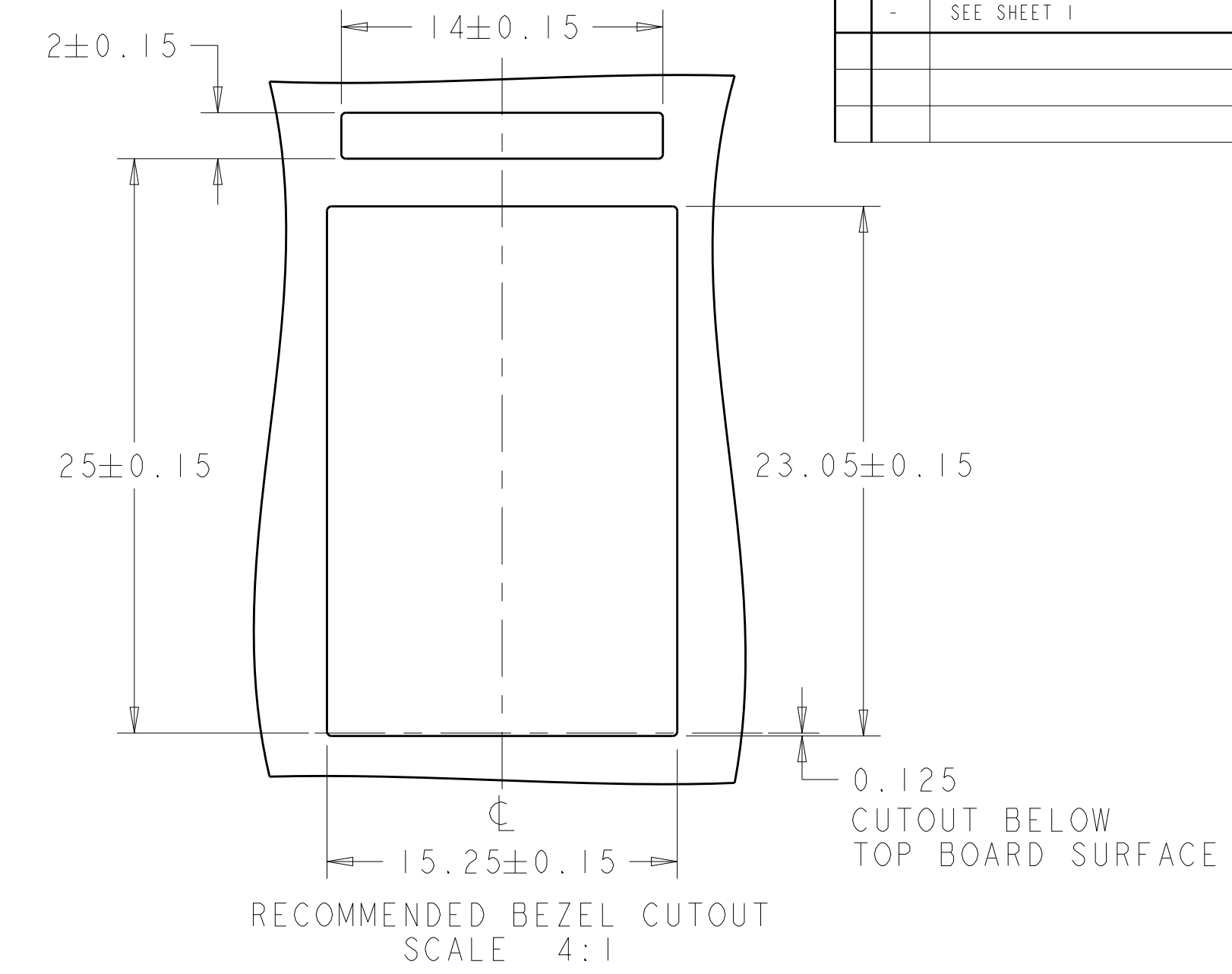
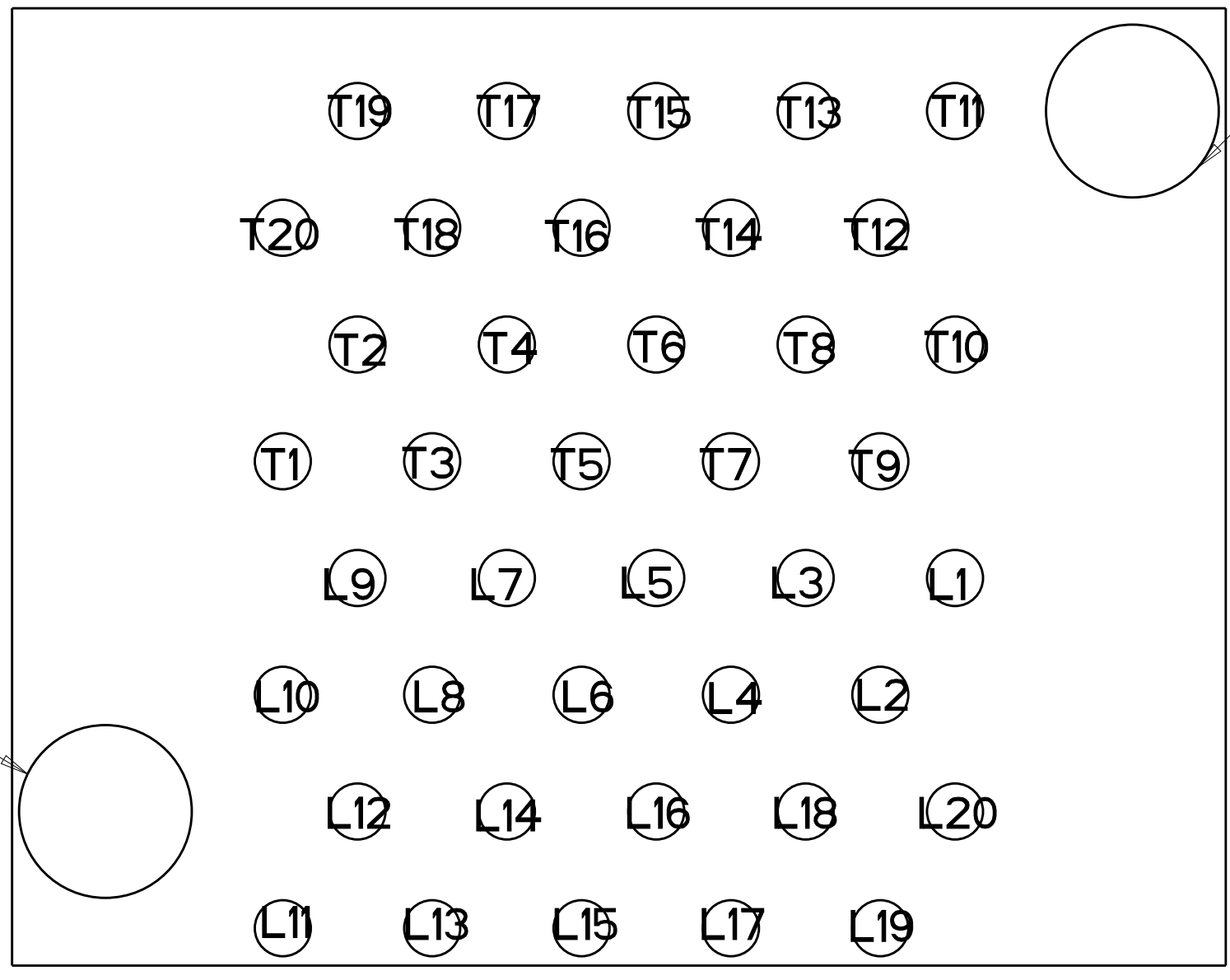


LOC		DIST		REVISIONS			
ES	00	P	LTN	DESCRIPTION	DATE	DMN	APVD
-	-	-	-	SEE SHEET 1	-	-	-



THIS DRAWING IS A CONTROLLED DOCUMENT.		DMN: M.E. CONNER 17SEP2003	TE Connectivity
DIMENSIONS: mm		CHK: R.R. HENRY 17SEP2003	
TOLERANCES UNLESS OTHERWISE SPECIFIED:		APVD: R.R. HENRY 17SEP2003	NAME: 2X1 CONNECTOR ASSEMBLY STACKED SFP WITH LIGHT PIPE ASSEMBLY LOW PROFILE, PRESS FIT SIZE: A1 CAGE CODE: 1658859 SCALE: 2:1 SHEET 2 OF 2 REV G
0 PLC ±0.25		PRODUCT SPEC: 108-2161	
1 PLC ±0.25		APPLICATION SPEC: 114-13103	
2 PLC ±0.1		WEIGHT: -	
3 PLC ±0.1		FINISH: -	CUSTOMER DRAWING
4 PLC ±0.1		RESTRICTED TO: -	
ANGLES ±°			