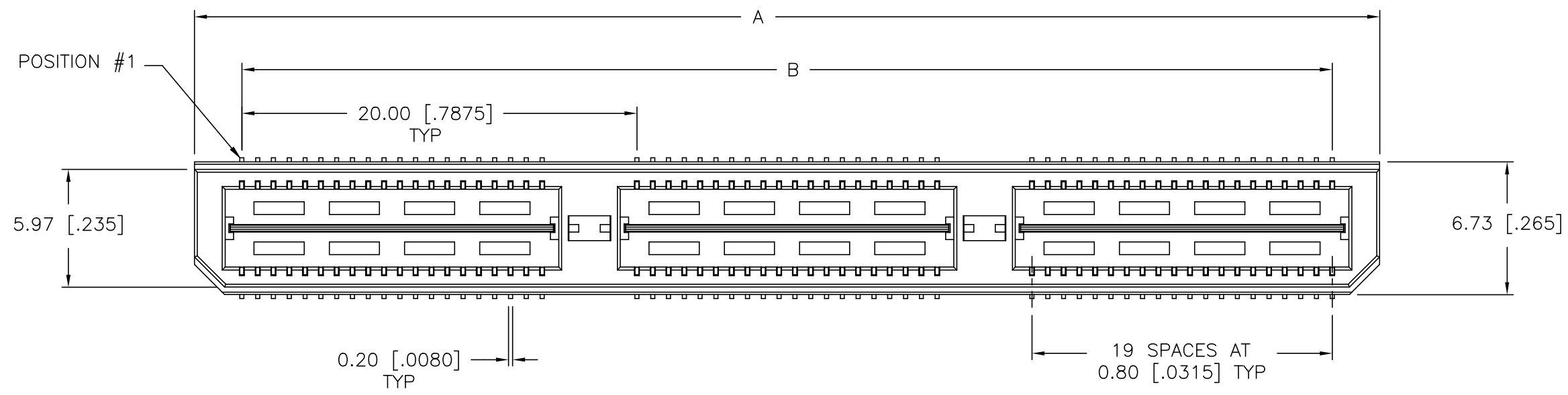
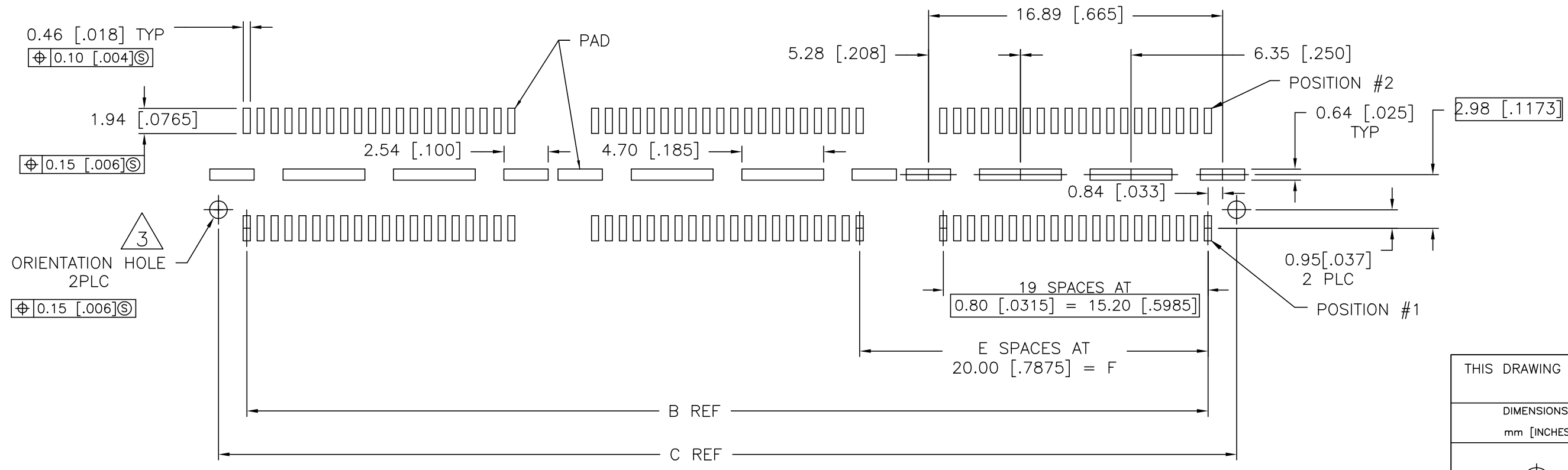
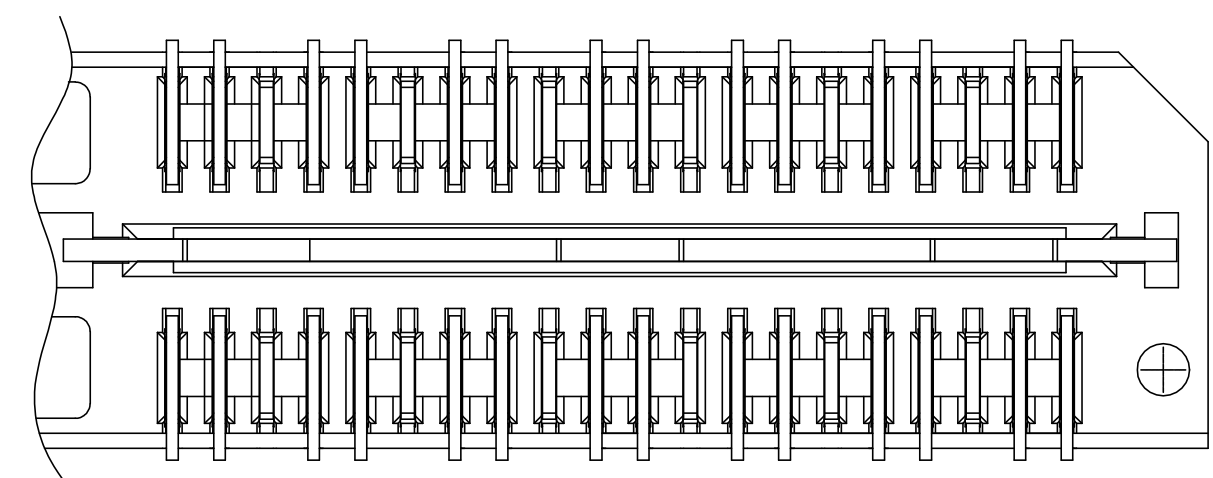
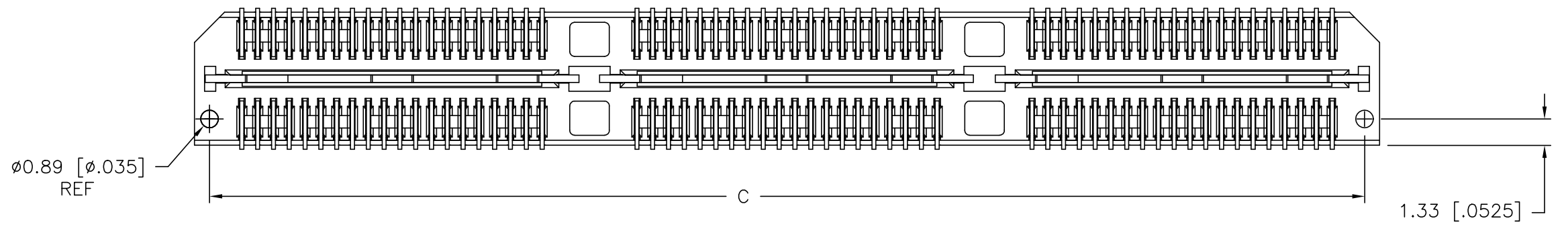
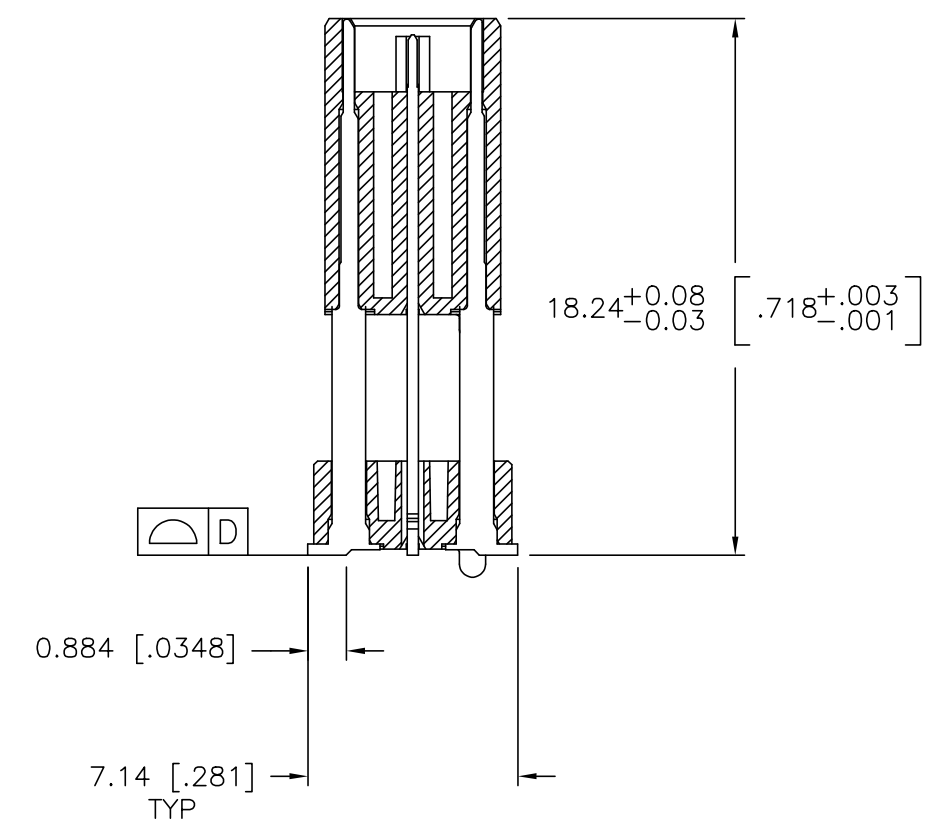
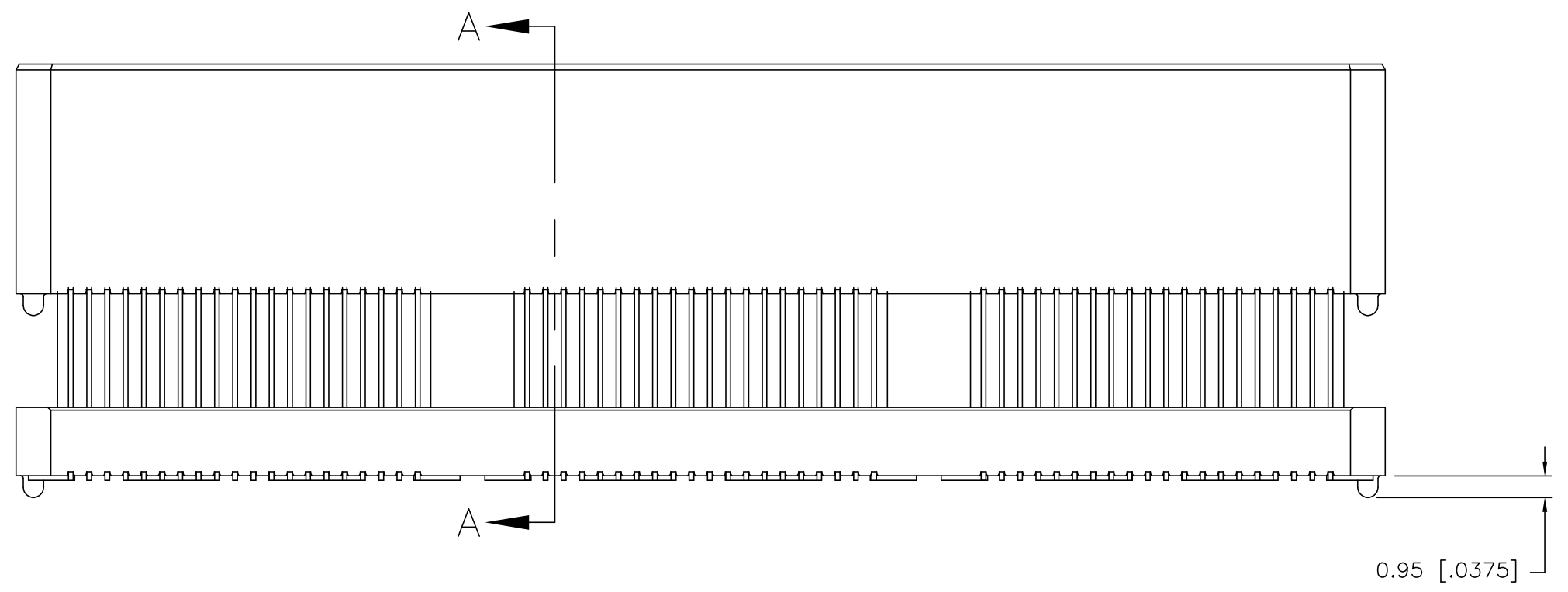


REVISIONS					
P	LTR	DESCRIPTION	DATE	DWN	APVD
	K2	ECO-20-000945	19JAN2020	TL	HL



- 1 HOUSING: LCP, BLACK.  
CONTACT & GROUND PLANE: PHOS BRONZE.
- 2 CONTACT PLATING: SELECT 0.25 MICROMETERS (.000010 IN.) MIN. GOLD.
- 3 FOR STANDARD APPLICATIONS, ORIENTATION HOLE TO BE  $\phi$ .1.02 [ $\phi$ .0400].



RECOMMENDED PC BOARD LAYOUT  
 (VIEWED FROM CONNECTOR SIDE)

THIS DRAWING IS A CONTROLLED DOCUMENT.		DWN B. CARBO 30JAN03	TE Connectivity Ltd.	
DIMENSIONS: mm [INCHES]		CHK D. DIXON 30JAN03		
TOLERANCES UNLESS OTHERWISE SPECIFIED:		APVD D. DIXON 30JAN03	NAME HEADER ASSEMBLY, 19.0MM [.748] VERTICAL, 0.80MM CL, MICTOR SB	
0 PLC ± -		PRODUCT SPEC	SIZE A2	
1 PLC ± 0.3[.01]		APPLICATION SPEC	CAGE CODE 00779	
2 PLC ± 0.13[.005]		WEIGHT	DRAWING NO C=1658017	
3 PLC ± 0.051[.0020]		RESTRICTED TO	SCALE 3:1	
4 PLC ± -		SCALE	SHEET 1 of 2	
ANGLES ± 2°		CUSTOMER DRAWING	REV K2	
MATERIAL SEE NOTES				
FINISH SEE NOTES				

