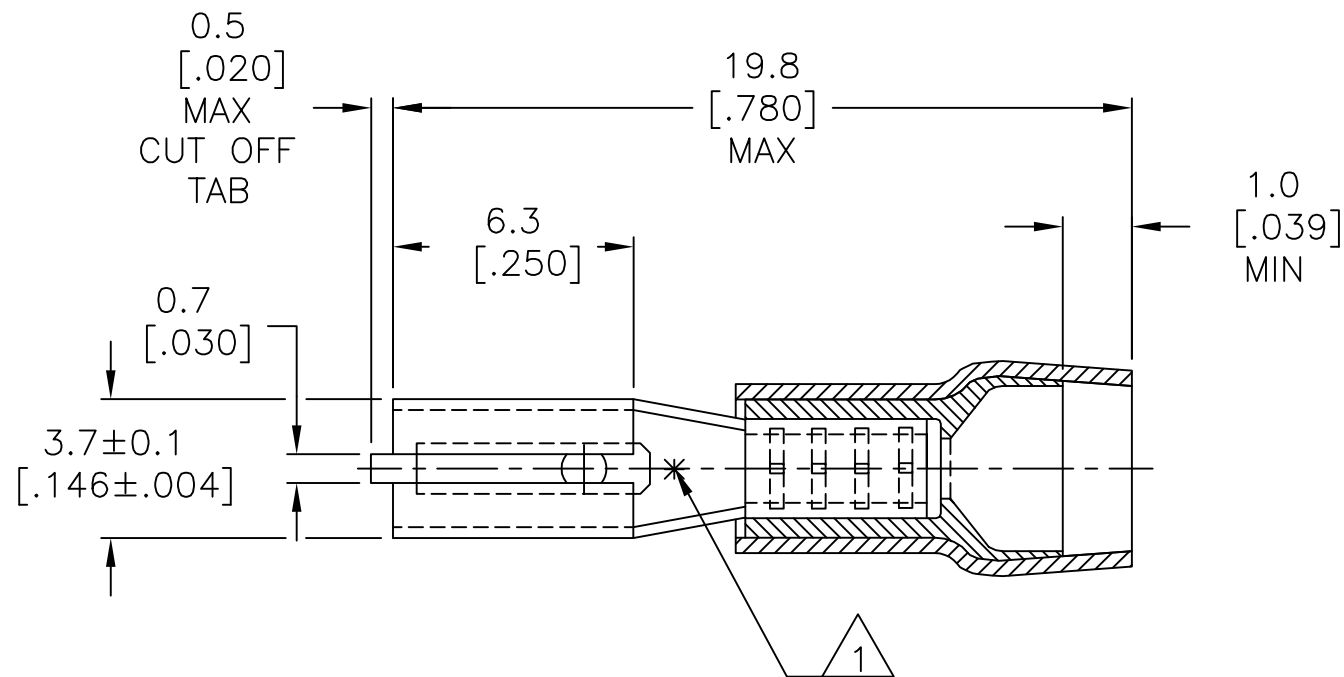
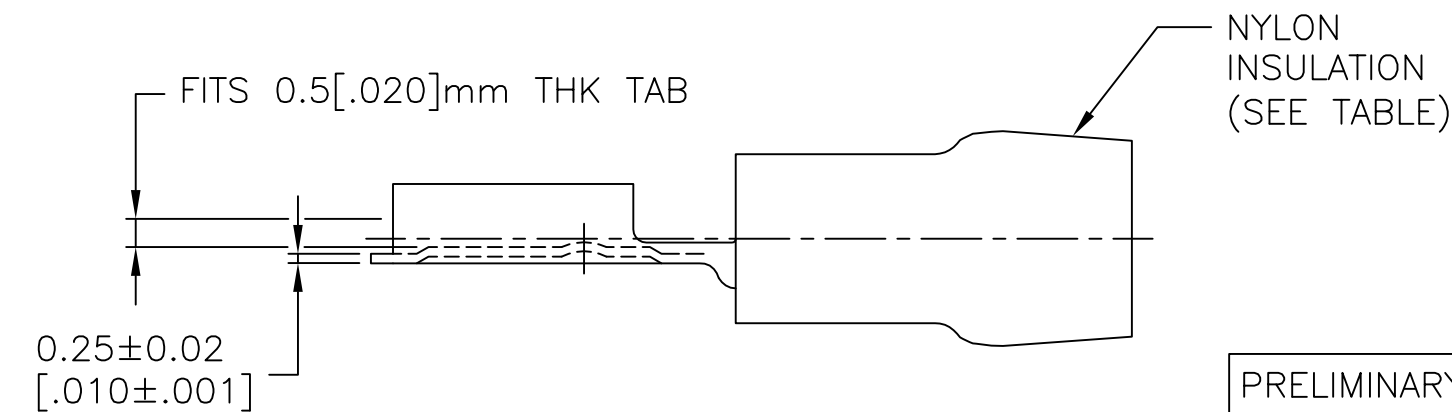


P	LTR	DESCRIPTION	DATE	DWN	APVD
	M4	REVISED PER ECO-16-004029	16MAR2016	NK	DR
	M5	REVISED PER ECO-17-002887	31AUG2017	RS	DR

AMP WIRE RANGE	AMP INSULATION RANGE
22-16 AWG 0.3-1.5 mm ²	ø.140 MAX ø3.5 MAX



- 1 ASTERISK * FOR PHOS BRONZE VERSION ONLY.
- 2 NOTE DELETED.



PRELIMINARY	WHITE	-	GOLD	PHOS BRONZE	2-165565-3
	RED	-	GOLD	PHOS BRONZE	165565-6
	RED	-	TIN	PHOS BRONZE	165565-2
	RED	2-165565-1	TIN	BRASS	165565-1
	INSULATION COLOR	PN ON TAPE	FINISH	MATERIAL	PART NUMBER

THIS DRAWING IS A CONTROLLED DOCUMENT.		DWN jr_ruth 15APR05	TE Connectivity		
DIMENSIONS: mm [INCHES]		CHK T MICHELUTTI 15APR05			
TOLERANCES UNLESS OTHERWISE SPECIFIED:		APVD T MICHELUTTI 15APR05	PRODUCT SPEC -		
0 PLC ± - 1 PLC ± 0.2[.008] 2 PLC ± - 3 PLC ± - 4 PLC ± - ANGLES ± 5°		APPLICATION SPEC 114-1002		SIZE A3	CAGE CODE 00779
MATERIAL -		WEIGHT -		DRAWING NO C=165565	
CUSTOMER DRAWING			SCALE 5:1	SHEET 1 OF 1	REV M5