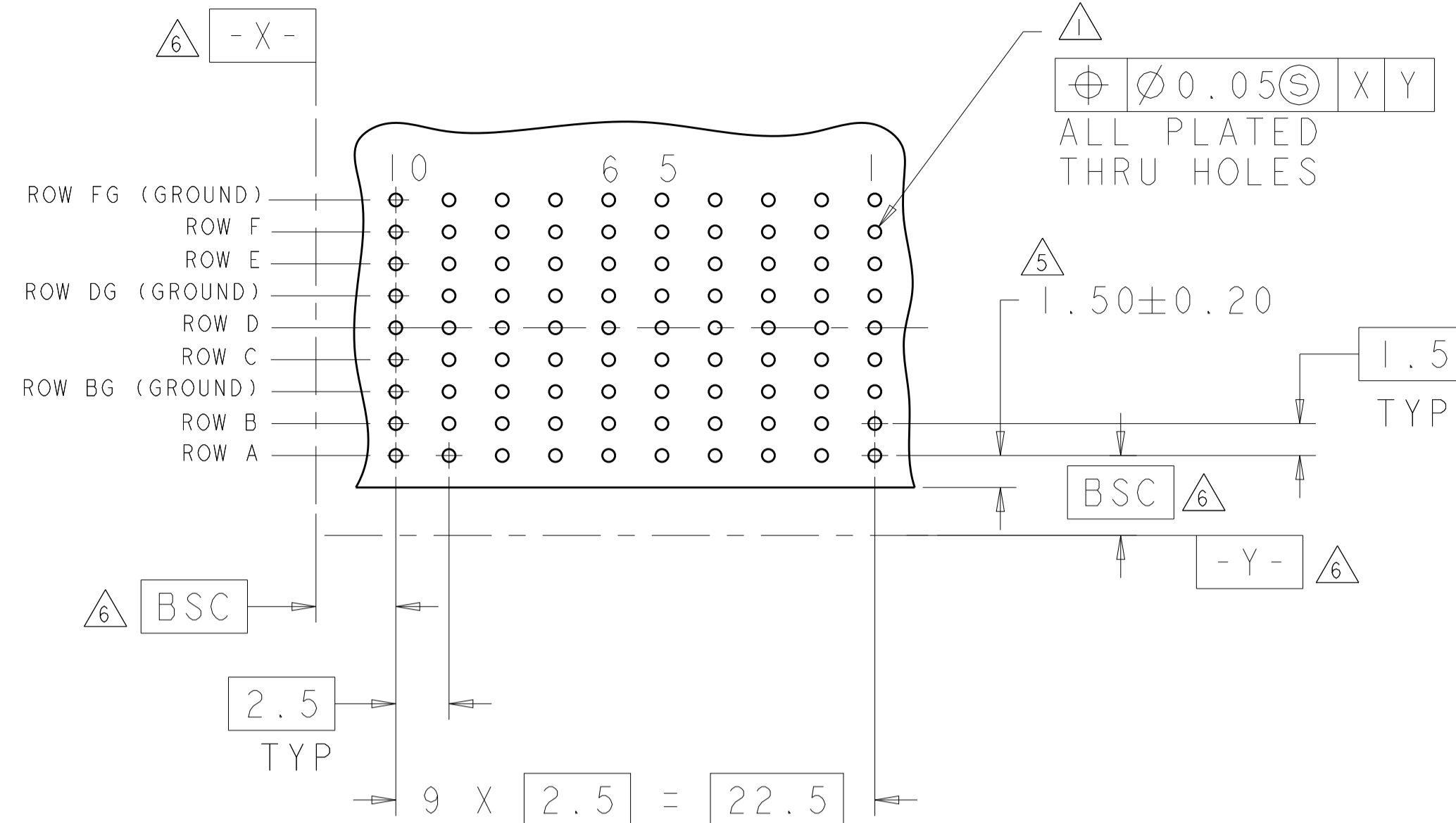
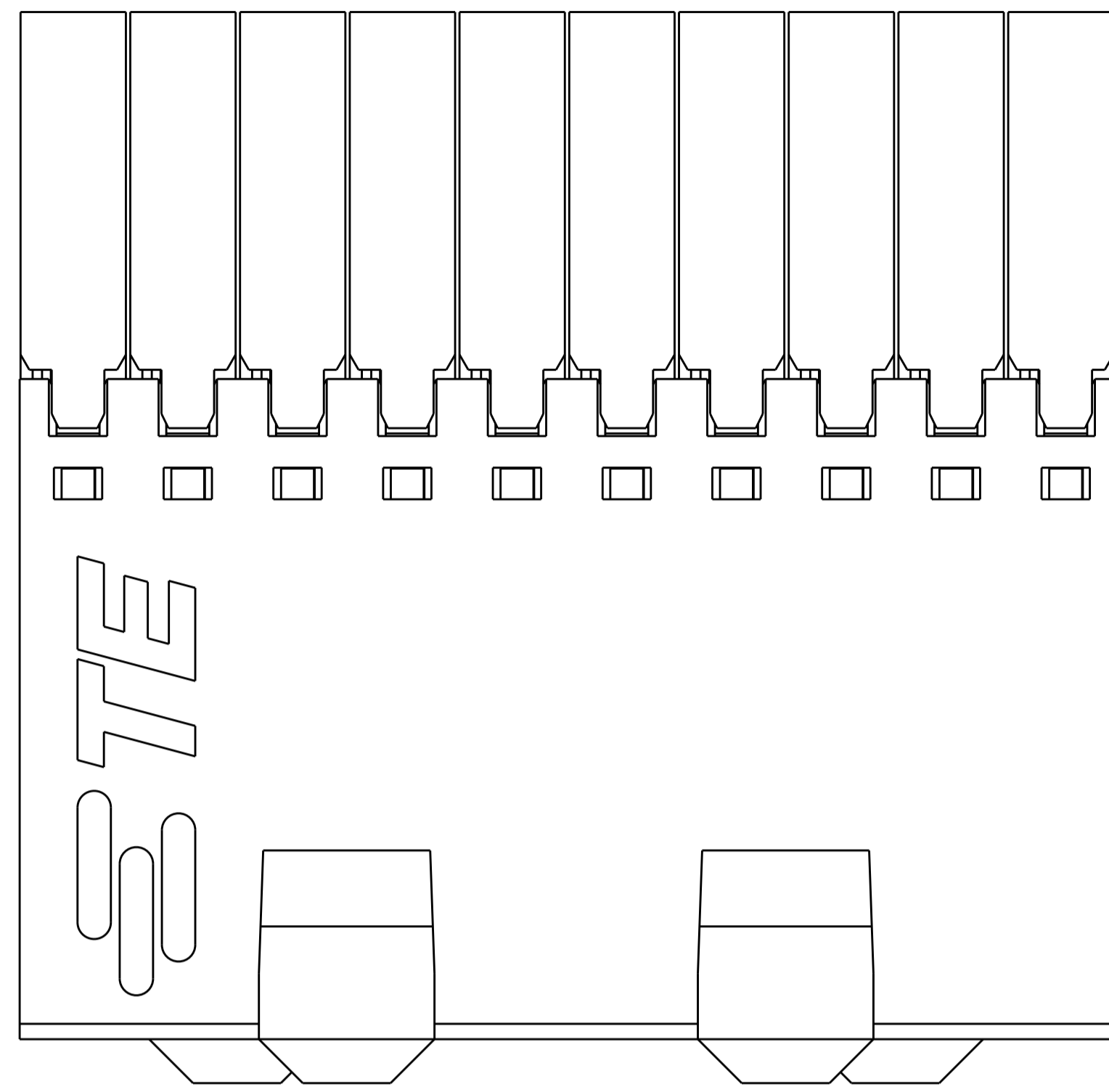
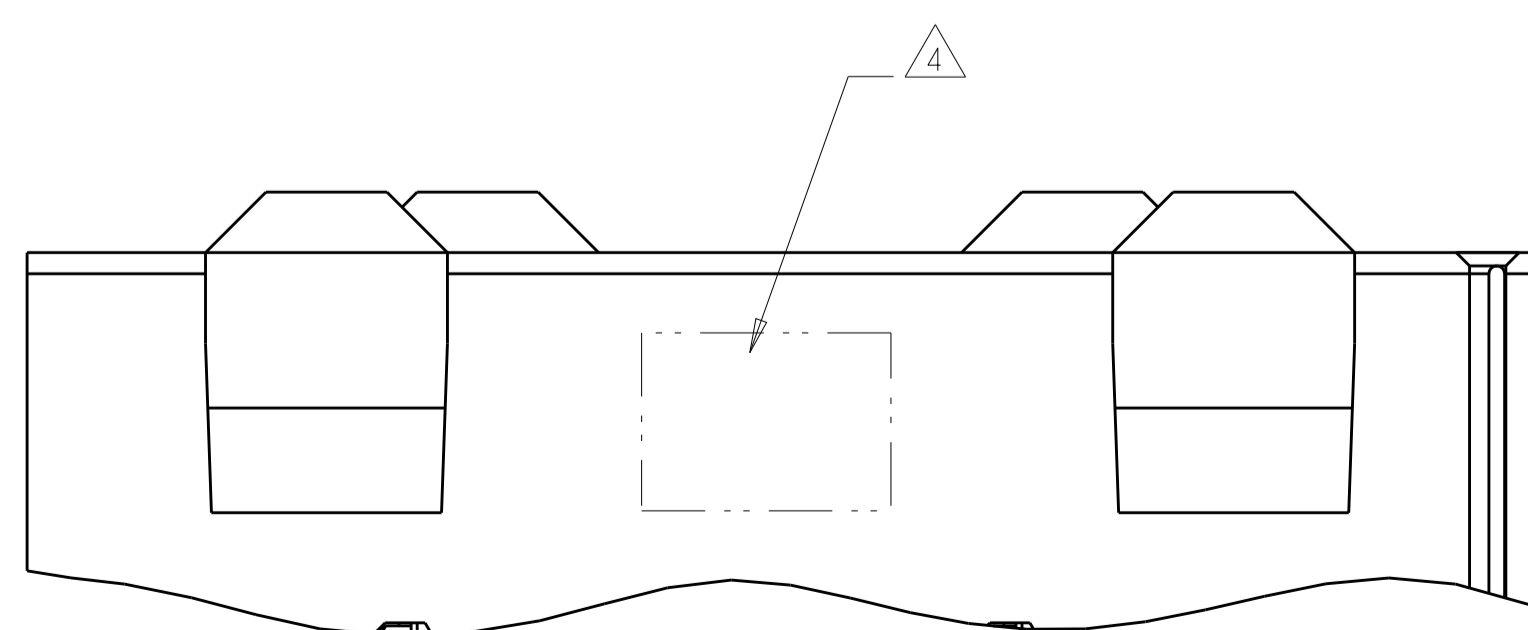
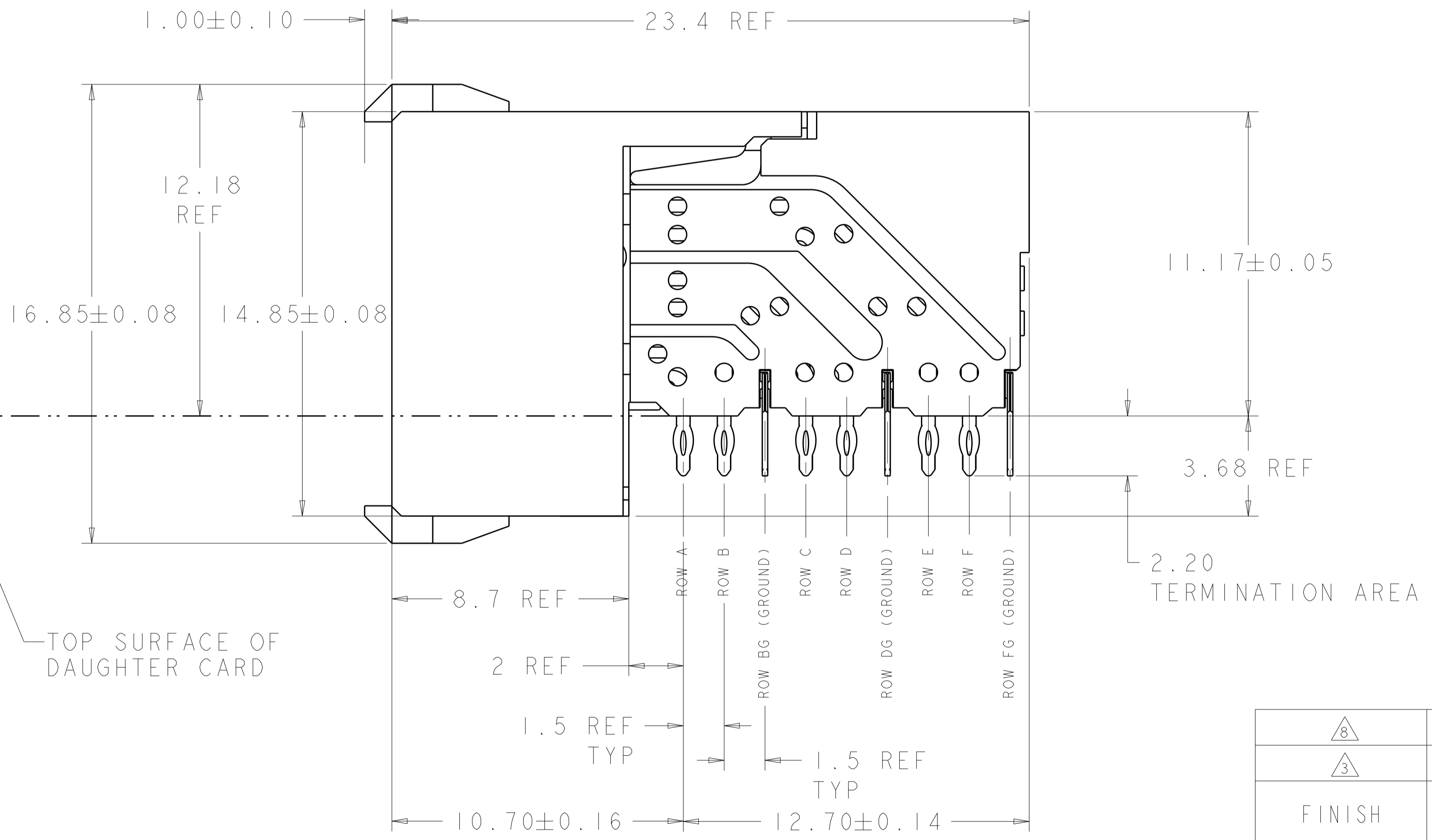
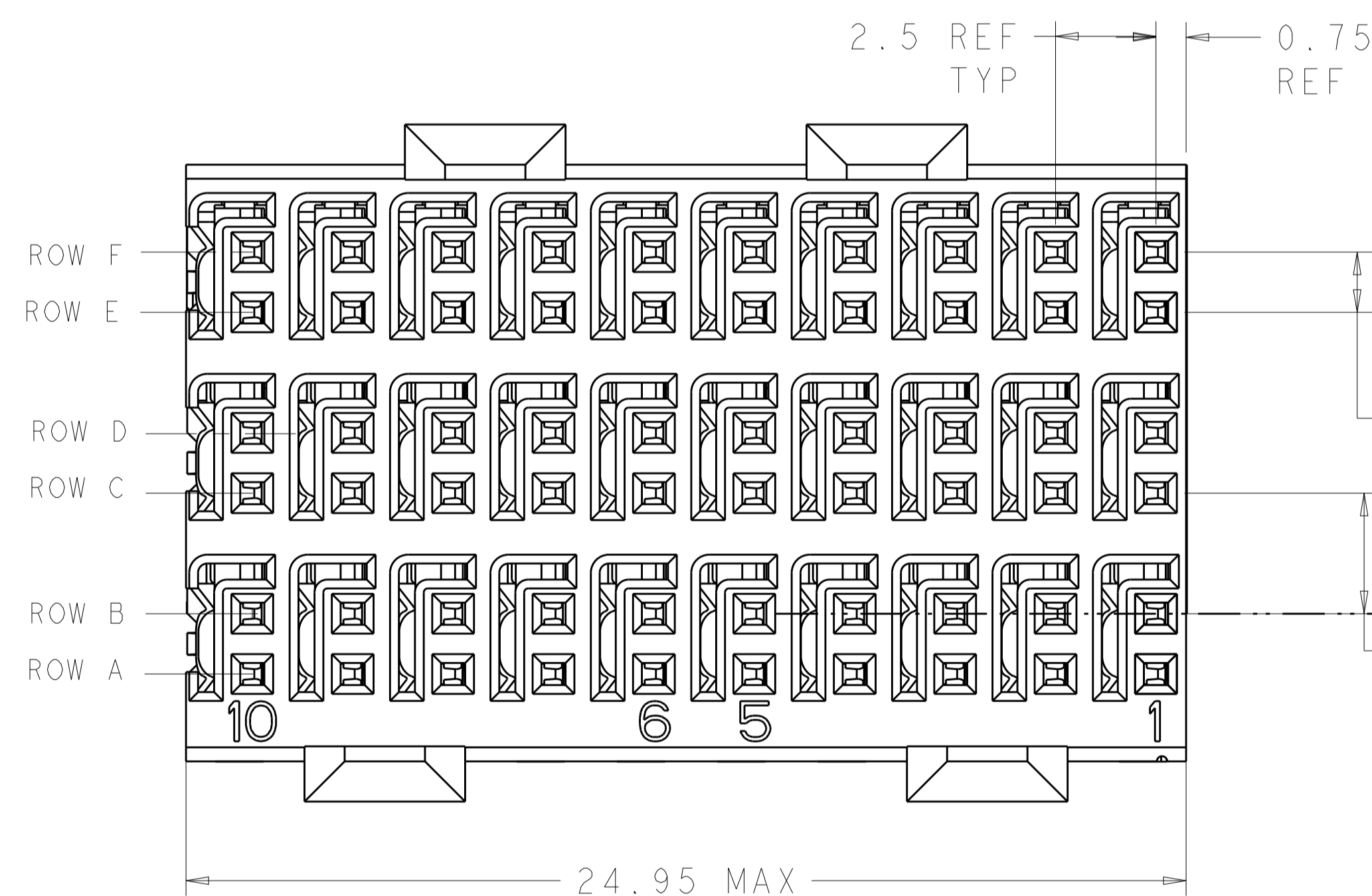


LOC		DIST		REVISIONS			
AD	00	P	LTN	DESCRIPTION	DATE	DWN	APVD
		A		RELEASED	03NOV2011	RG	JE
		B		REVISED PER ECO-16-008845	16SEP2016	AP	RP



RECOMMENDED PC BOARD LAYOUT,
 DAUGHTER BOARD,
 COMPONENT SIDE SHOWN
 SCALE 4:1

- △ REFERENCE APPLICATION SPEC 114-13059 FOR RECOMMENDED PLATED THRU HOLE DIAMETER AND PLATING THICKNESSES.
- △ MATERIAL:
 SHIELD - PHOSPHOR BRONZE
 CONTACT - COPPER-NICKEL-SILICON
 HOUSING, CHICKLET AND CHICKLET COVER - GLASS FILLED POLYESTER, UL 94V-0 RATED.
- △ FINISH: SIGNAL AND GROUND CONTACTS:
 MATING AREA: 0.76µm MIN GOLD OVER 1.27µm NICKEL
 COMPLIANT PIN AREA: 0.5 µm MIN MATTE TIN OVER 1.27µm MIN NICKEL
- △ CONNECTOR MARKED WITH PART NUMBER AND DATE CODE IN APPROXIMATE AREA SHOWN.
- △ DIMENSION APPLIES TO CENTERLINE OF THRU HOLE
- △ DATUMS AND BASIC DIMENSIONS ESTABLISHED BY CUSTOMER
- 7. CONTACT AREA LUBRICATED WITH BELLCORE APPROVED LUBRICANT. TECHNICAL REFERENCE: GR-1217-CORE, ISSUE 1, NOVEMBER 1995.
- △ FINISH: CONTACT AND SHIELD
 MATING AREA - 0.076µm MIN GOLD OVER 0.686µm MIN PALLADIUM NICKEL OVER 1.27µm MIN NICKEL
 COMPLIANT PIN AREA - 0.5µm MIN MATTE TIN OVER 1.27µm MIN NICKEL



△ 8	1645616-2
△ 3	1645616-1
FINISH	PART NUMBER

THIS DRAWING IS A CONTROLLED DOCUMENT. DWN: R. GRZYBOWSKI 3NOV2011
 CHK: J. EARY 3NOV2011
 APVD: J. EARY 3NOV2011

DIMENSIONS:	TOLERANCES UNLESS OTHERWISE SPECIFIED:	NAME	RECEPTACLE ASSEMBLY, 3 PAIR, 25mm, HMZd
mm	0 PLC ± 1 PLC ± 2 PLC ± 3 PLC ± 4 PLC ± ANGLES ±	PRODUCT SPEC	
MATERIAL:	FINISH SEE TABLE	APPLICATION SPEC	
		WEIGHT	
		CUSTOMER DRAWING	

SIZE: A1 CAGE CODE: 1645616 DRAWING NO: 100779
 SCALE: 8:1 SHEET 1 OF 1 REV B