

REVISIONS				
P	LTR	DESCRIPTION	DATE	APVD
	B1	ECR-24-212110	18JUN2024	DG WZ

ⓑ1 5 ITEMS PROVIDED TO THIS SPECIFICATION TO BE PERMANENTLY IDENTIFIED PER THE FOLLOWING IDENTIFIER:

TE CONNECTIVITY PART NUMBER DATE CODE (e.g. 0625) YEAR WEEK
 XXXXXXXX-X XXXX

4. ALL DIMENSIONS SHOWN ACROSS A CENTERLINE (⌀) SHALL BE CENTRALIZED WITHIN THE TOLERANCE INDICATED FOR THAT DIMENSION.

3. FINISHES:
 CROWN HOLDER: GOLD PLATED, .000030 MIN THICK WITH OVERALL GOLD FLASH
 OVER NICKEL PLATED, .000040 MIN THICK


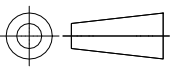
2. MATERIALS:
 INSULATOR: THERMOPLASTIC, GLASS REINFORCED, UL94V-0 FLAMMABILITY RATED, COLOR-BLACK

CROWN HOLDER: COPPER ALLOY
 CROWN BAND: COPPER ALLOY
 MATING BLADE: COPPER ALLOY WITH GOLD ON NICKEL PLATED

1. PART NUMBER CHANGES AND OR DESIGN CHANGES AFFECTING ITEM INTERCHANGEABILITY REQUIRE PRIOR ELCON APPROVAL AND AUTHORIZATION BY REVISION TO THIS DRAWING.

NOTES: UNLESS OTHERWISE SPECIFIED

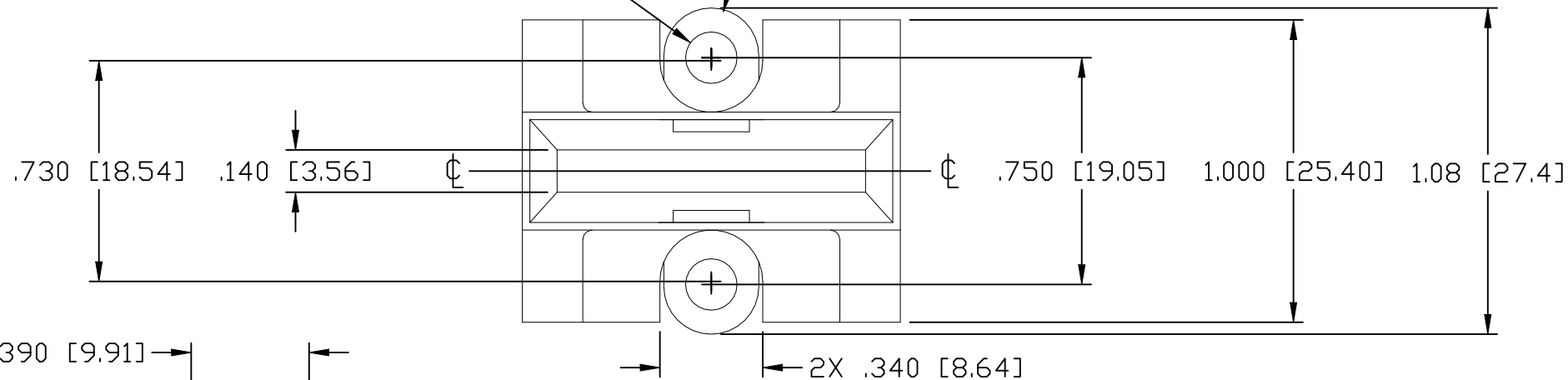
1643906-1	AS SHOWN
PART NUMBER	DESCRIPTION

THIS DRAWING IS A CONTROLLED DOCUMENT.		DWN HA NGUYEN CHK -	02/25/06	 TE Connectivity Ltd.	
DIMENSIONS: INCH(MM)		APVD STEVE FLICKINGER PRODUCT SPEC	02/25/06		
		108-128066		RESTRICTED TO	
TOLERANCES UNLESS OTHERWISE SPECIFIED: 0 PLC ± - 1 PLC ± - 2 PLC ± 0.02(0.3) 3 PLC ± 0.010(0.25) 4 PLC ± - ANGLES ± 0.5°		114-128068		SIZE A3	CAGE CODE 00779
MATERIAL -		FINISH -		DRAWING NO C-1643906	
CUSTOMER DRAWING				WEIGHT 0	RESTRICTED TO -
			SCALE 2:1	SHEET 1 OF 2	REV B1

P	LTR	DESCRIPTION	DATE	DWN	APVD
-	-	SEE SHEET 1	-	-	-

2X ϕ .170 [ϕ 4.32]
(CLEARANCE FOR
#8 OR M4 SCREW)

(B1) 2X R.157 [R3.99]



.390 [9.91]

1.435±.020
[36.45±0.51]

TE LOGO

1.400 [35.56]

5 (B1)

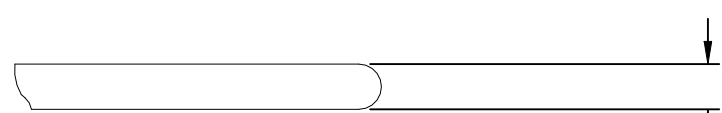
.650 [16.51] MIN

1.000±.015 [25.40±0.38]

.032 [0.82]

1.250 [31.75]

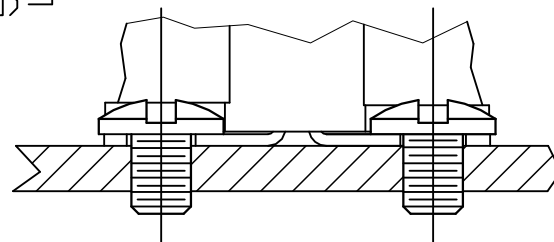
1.000 [25.40]



.125±.002 [3.17±0.05]

SCREWS ARE SHOWN FOR REFERENCE ONLY

BACKPLANE ATTACHMENT



RECOMMENDED MATING BLADE

THIS DRAWING IS A CONTROLLED DOCUMENT.		DWN HA NGUYEN 02/25/06	TE Connectivity Ltd.		
DIMENSIONS: INCH(MM)		CHK -			
TOLERANCES UNLESS OTHERWISE SPECIFIED:		APVD 02/25/06	PRODUCT SPEC 108-128066		
0 PLC ± -		APPLICATION SPEC 114-128068		SIZE A3	CAGE CODE 00779
1 PLC ± -		WEIGHT -		DRAWING NO C-1643906	RESTRICTED TO -
2 PLC ± 0.02(0.3)		CUSTOMER DRAWING			
3 PLC ± 0.010(0.25)		SCALE 2:1		SHEET 2 OF 2	REV B1
4 PLC ± -					
ANGLES ± 0.5°					
MATERIAL -					
FINISH -					