

DO NOT SCALE
DIMENSIONS IN mm

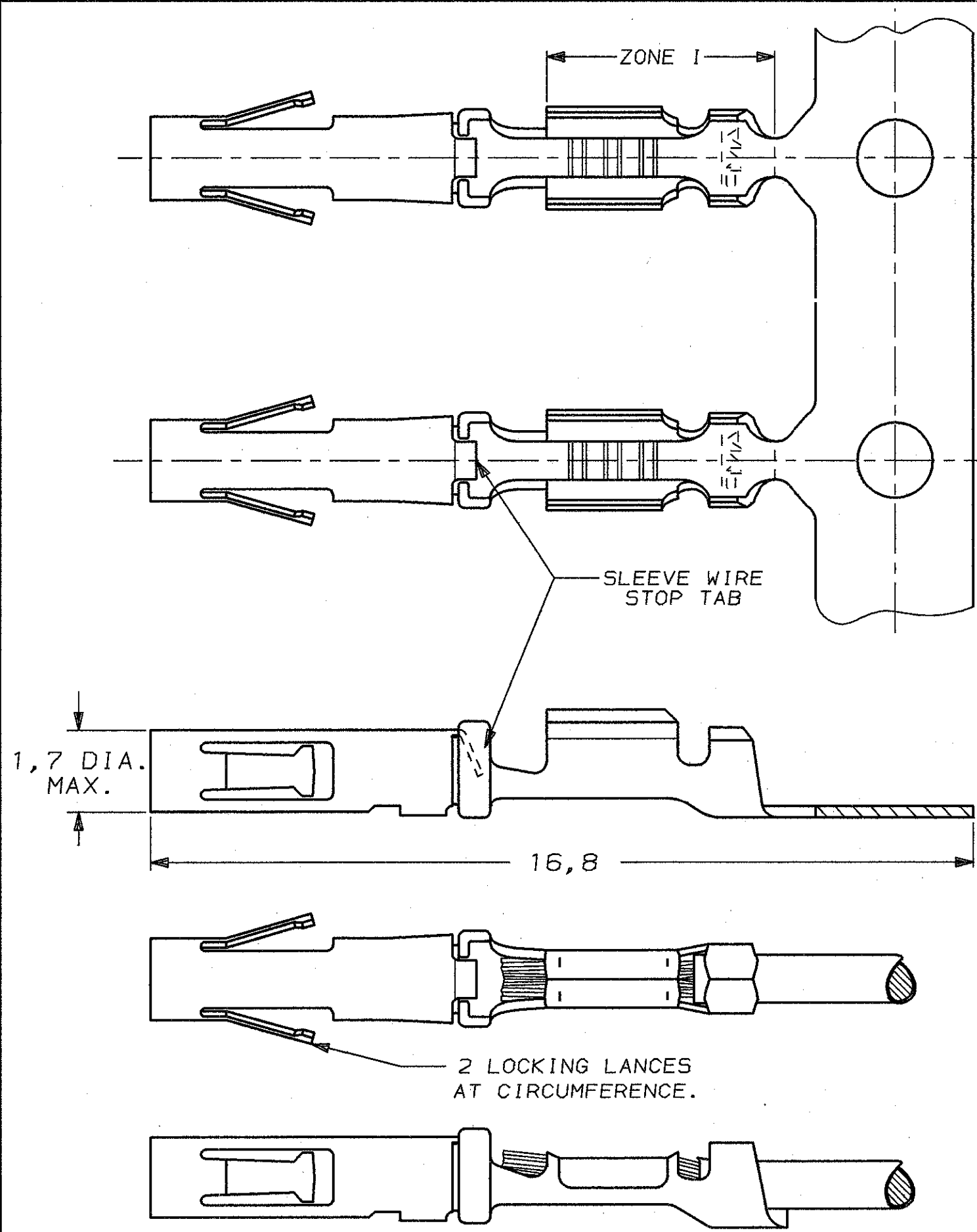
METRIC

THIRD ANGLE
PROJECTION



NOTES:

- ① FOR USE ON MINIATURE APPLICATOR (LEFT-RIGHT FEED).
- ② FOR USE ON STANDARD APPLICATOR (RIGHT-LEFT FEED)
- 3 FOR LOOSE-PIECE VERSIONS SEE DWG. 164170.
- ④ UNDERCOATING: 1,3µm Ni.
SELECTIVE : 0,8µm Au.
ZONE I : BRIGHT TIN/LEAD PLATED
- ⑤ UNDERCOATING: 1,3µm Ni.
SELECTIVE : 0,8µm Au.
REMAINDER : GOLDFLASH.



WIRE RANGE :
30-26 AWG 0,05-0,14 mm²
INSULATION RANGE :
1,22 DIA. MAX.

POST TINPLATED	STAINLESS STEEL	BRASS	164155-9	②
SEE NOTE ⑤			164155-8	②
SEE NOTE ④			164155-7	②
SEE NOTE ④			164155-6	①
PRETINNED			164155-5	②
PRETINNED			164155-4	①
POST TINPLATED			164155-2	①
SEE NOTE ⑤			164155-1	①
PLATING OF BODY	MATERIAL OF SLEEVE	MATERIAL OF BODY	PARTNUMBER	

CUSTOMER DRAWING					FOR REFERENCE ONLY WILL NOT BE UPDATED	
© COPYRIGHT 19- BY AMP HOLLAND B.V.					ALL INTERNATIONAL RIGHTS RESERVED. AMP PRODUCTS MAY BE COVERED BY U.S. AND FOREIGN AND/OR PATENTS PENDING.	
THIS DRAWING IS UNPUBLISHED					RELEASED FOR PUBLICATION	
					AMP HOLLAND B.V. s-Hertogenbosch, The Netherlands.	
					NAME	
H	EH-0077-92	JvL	CvT	04-03-94	HDR SOCKET CONTACT TYPE XI (CRIMP SNAP-IN)	
LTR.	REVISION RECORD	DR.	CHK.	DATE	DWG. No.	REV. LTR. SHEET
DR. : J.v.LIEMPT	CHK. : C.v.TILBURG	APP. : J.v.50EST	DATE : 08-02-93		C-164155	H 1 OF 1