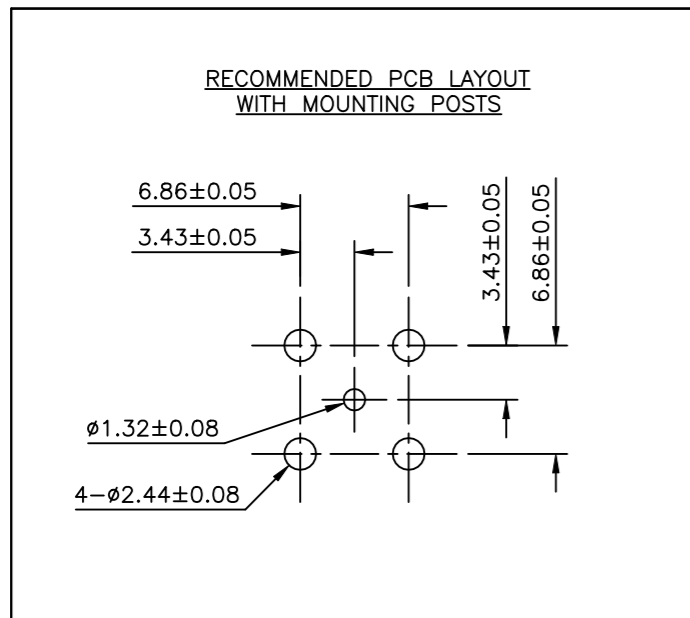
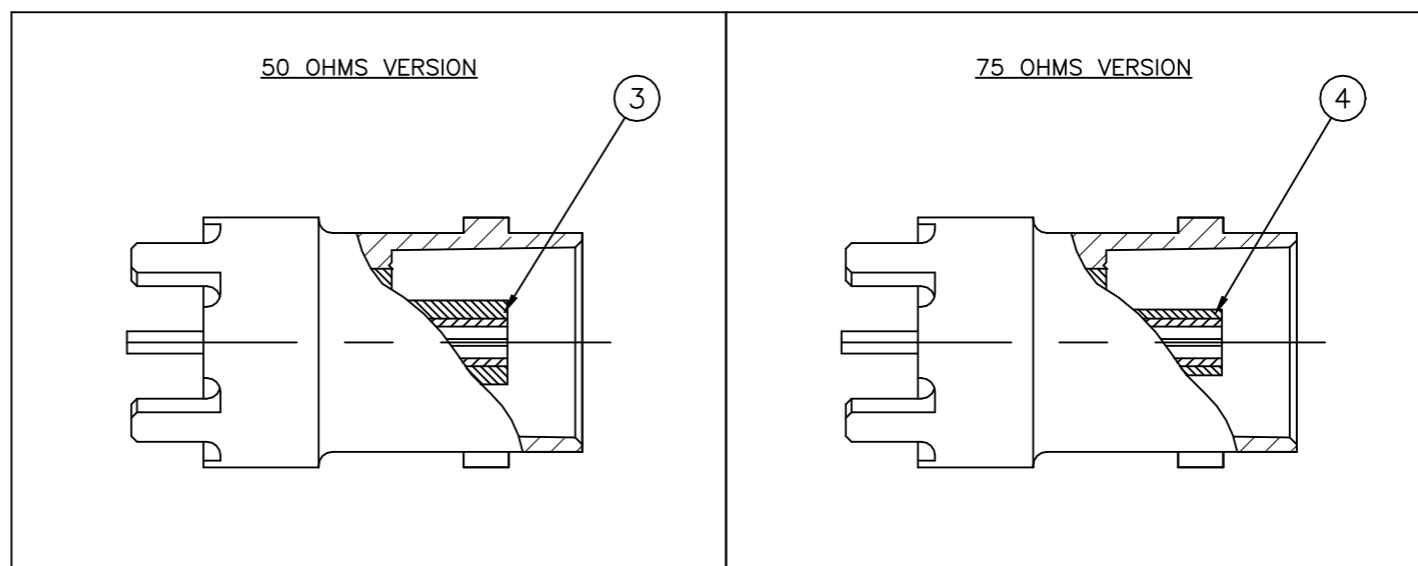
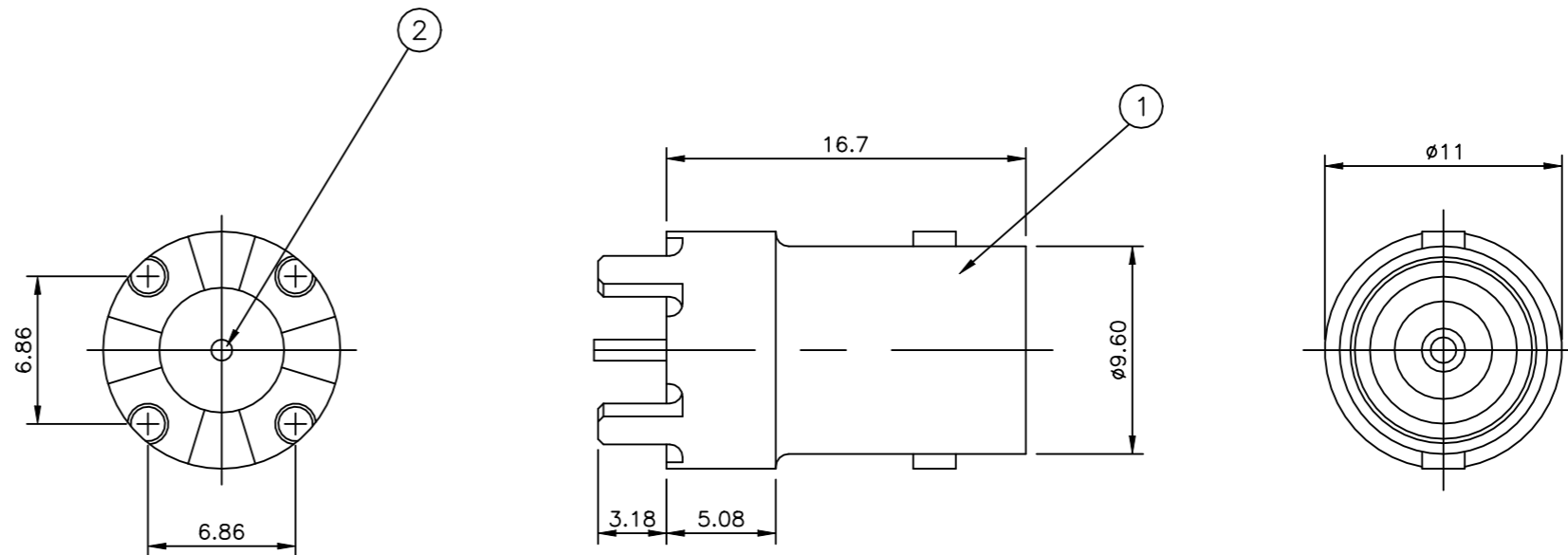


REVISIONS

P	LTR	DESCRIPTION	DATE	DWN	APVD
C1		REVISED PER ECN-22-141944	04MAR2022	RZ	WK

NOTES

- ① 100 TRAY PACK IN ACCORDANCE WITH AMP SPEC 107-3275
- ② SINGLE PACK IN ACCORDANCE WITH AMP SPEC 107-3275
- ③ Au PLATING
- ④ Ni PLATING



				Obsolete	Obsolete	Obsolete				
				1	1	-	-	TPX	INSULATOR	4
				-	-	1	1	TPX	INSULATOR	3
				1	1	1	1	PHOS BRONZE	③ CONTACT	2
				1	1	1	1	ZINC ALLOY	④ BODY	1
				5--3	5--2	5--1	5--0	MATERIAL	DESCRIPTION	ITEM
				①	②	③	④	PARTS LIST		

THIS DRAWING IS A CONTROLLED DOCUMENT.

DIMENSIONS: mm	TOLERANCES UNLESS OTHERWISE SPECIFIED: 0 PLC ± 0.5 1 PLC ± 0.3 2 PLC ± 0.2 3 PLC ± - 4 PLC ± - ANGLES ± -	DWN RITA ZUO 11 Mar 09 CHK ANSON MA 11 Mar 09 APVD BOB ZHAO 11 Mar 09	TE Connectivity BNC STRAIGHT PCB SOCKET			
MATERIAL	FINISH	PRODUCT SPEC 108-112000 APPLICATION SPEC	SIZE	CAGE CODE	DRAWING NO	RESTRICTED TO
-	-	WEIGHT 0.000000	A3	00779	C-1634506	-
CUSTOMER DRAWING			SCALE NTS	SHEET 1 OF 1	REV C1	