

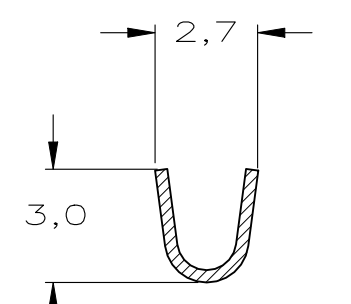
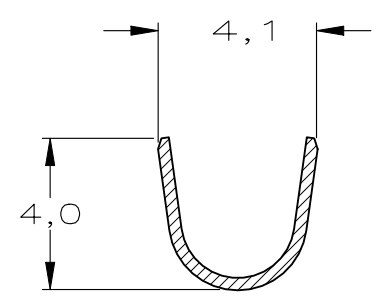
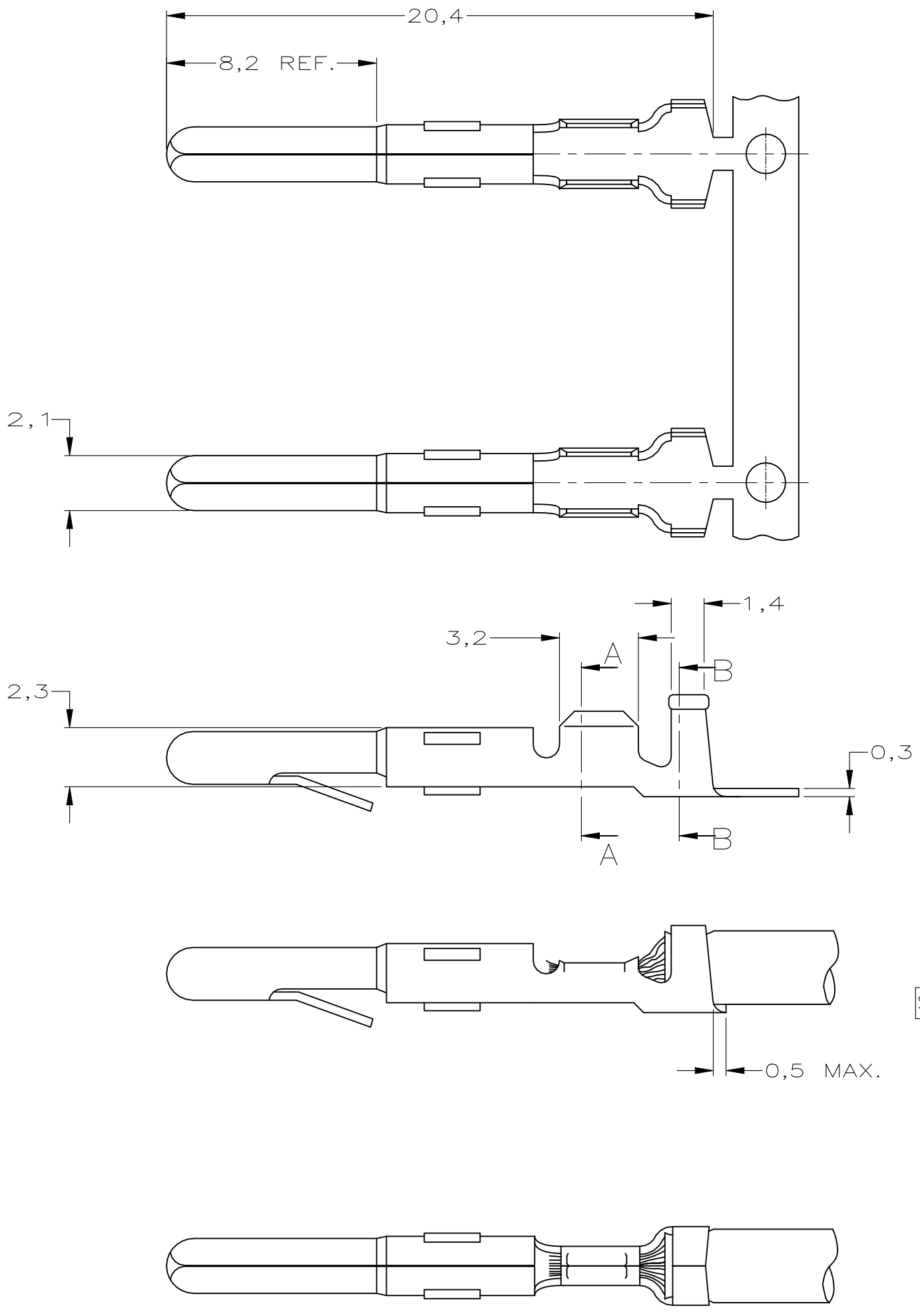
DO NOT SCALE  
DIMENSIONS IN mm

METRIC

THIRD ANGLE  
PROJECTION

NOTES:

- ① FOR USE ON STANDARD APPLICATORS.(RIGHT-LEFT FEED)
- ② FOR USE ON MINIATURE APPLICATORS.(LEFT-RIGHT FEED)
- ③ FOR USE ON MINIATURE APPLICATORS,  
AMP O-MATOR APPLICATION.(LEFT-RIGHT FEED)
- ④ OBSOLETE PARTS: OBSOLETE CIS STREAMLINING PER D.RENAUD/D.SINISI



WIRE RANGE :  
0,5-1,0mm<sup>2</sup> AWG  
INSULATION RANGE :  
1,8-3,3mm DIA.

	④	③	②	①	PLATING	PLATING	MATERIAL	PARTNUMBER
OBSOLETE			②		SEL. GOLD	-		8-163301-3
④		③	①			BRASS		1-163301-7
OBSOLETE			②		NICKEL	BRASS		1-163301-2
OBSOLETE			①		NICKEL	BRASS		1-163301-1
④			②		PRE-TINPLATED	PHOSPHOR BR.		163301-8
OBSOLETE			②		UNPLATED	PHOSPHOR BR.		163301-7
④			②		PRE-TINPLATED	BRASS		163301-6
OBSOLETE			②		UNPLATED	BRASS		163301-5
OBSOLETE			①		PRE-TINPLATED	PHOSPHOR BR.		163301-4
OBSOLETE			①		UNPLATED	PHOSPHOR BR.		163301-3
SUP BY 163301-6			①		PRE-TINPLATED	BRASS		163301-2
OBSOLETE			①		UNPLATED	BRASS		163301-1

<p>CUSTOMER DRAWING FOR REFERENCE ONLY WILL NOT BE UPDATED</p> <p>© COPYRIGHT 19 - BY -</p> <p>ALL INTERNATIONAL RIGHTS RESERVED.</p> <p>THIS DRAWING IS UNPUBLISHED RELEASED FOR PUBLICATION ,19</p> <p><b>TE</b> TE Connectivity</p> <p>NAME PIN MATE-N-LOK.</p>					GENERAL TOLERANCE 0 PLC : - 1 PLC : +/- 0.30 mm 2 PLC : -	
					DR.: J.V.D.HEIJDEN. CHK.: A.BIJNEN. APP.: L.V.SOEST. DWG.No. C-163301	
					DATE: 10-04-92 DATE: - DATE: -	
					REV.LTR. K4 SHEET 1 OF 1 A3	