

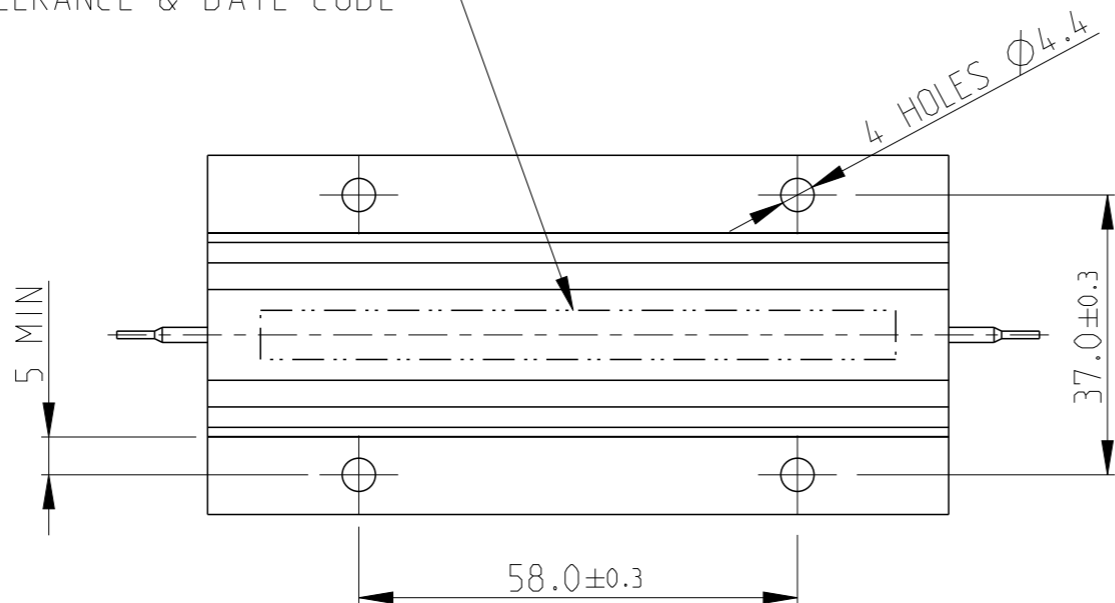
LOC
E

DIST
B

REVISIONS

P	LTR	DESCRIPTION	DATE	DWN	APVD
	A2	REVISED PER ECO-11-005150	29MAR2011	RK	HMR
	S	ECR-16-003733	12MAR2016	KR	TN

LASER MARKING: TE LOGO PN VALUE
TOLERANCE & DATE CODE



1 FOR FURTHER INFORMATION SEE DATA SHEET FOR HS SERIES-ALUMINIUM HOUSED RESISTORS

2 FOR A SPECIFIC PN FOR A RESISTANCE VALUE AND TOLERANCE, PLEASE REFER TO DMF

3 TECHNICAL SPECIFICATION

DISSIPATION AT 25°C : 150 WATTS MOUNTED ON STD HEATSINK

OHMIC RANGE : R10 TO 100K

STABILITY : ΔR < =2% PER 1000hrs

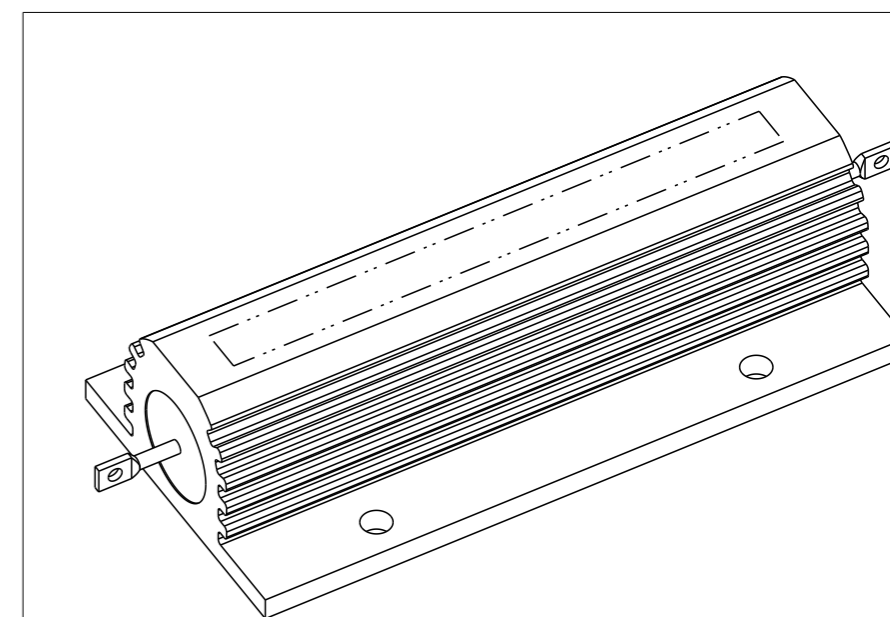
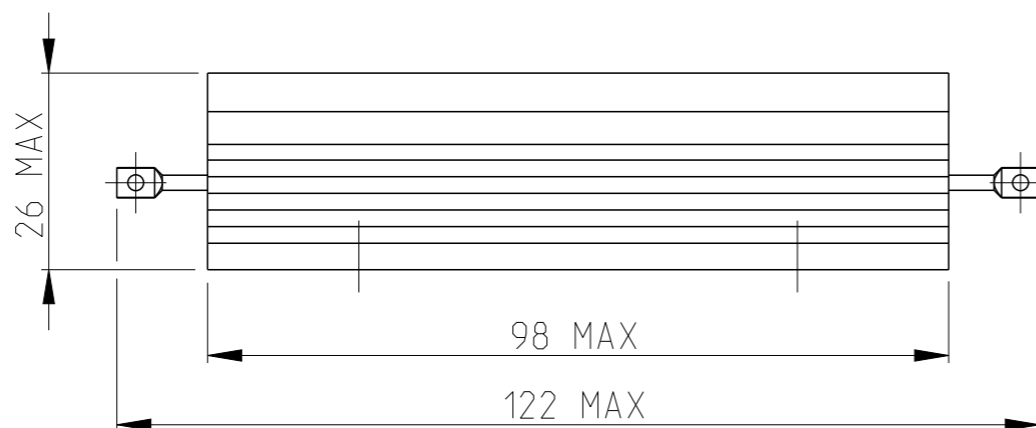
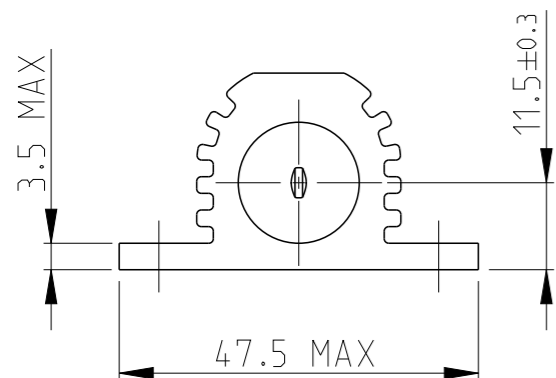
ISOLATION VOLTAGE : 3500V DC/AC pk

MAX WORKING VOLTAGE : 2500V DC/AC rms

TEMPERATURE COEFFICIENT : > 1R0 50ppm
> 100R 25ppm

CLIMATIC CATEGORY : 55/200/56

RoHS Compliant



THIS DRAWING IS A CONTROLLED DOCUMENT.

DWN 28.SEP.05
DAVE KENNEDY

CHK 28.SEP.05
J CATCHPOLE

APVD 28.SEP.05
J CATCHPOLE

PRODUCT SPEC

APPLICATION SPEC

WEIGHT

CUSTOMER DRAWING



TE Connectivity

NAME
HSC 150

SIZE CAGE CODE DRAWING NO RESTRICTED TO
A3 00779 C=1630012

SCALE 1:1 SHEET 1 OF 1 REV S

DIMENSIONS:

mm



TOLERANCES UNLESS OTHERWISE SPECIFIED:

0 PLC	±0.5
1 PLC	±0.2
2 PLC	±0.1
3 PLC	±
4 PLC	±
ANGLES	±5°
FINISH	-

MATERIAL

-

FINISH

-