

4

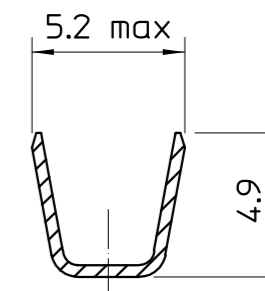
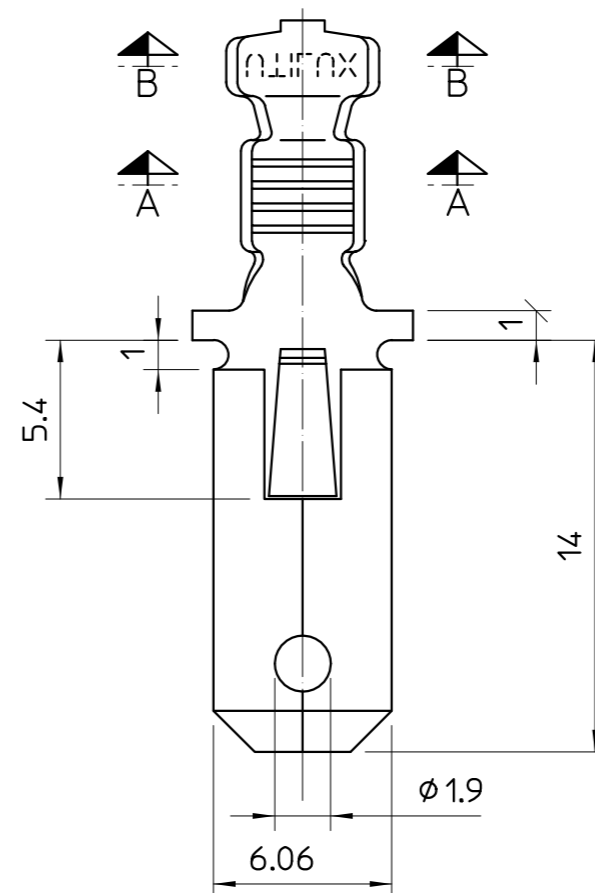
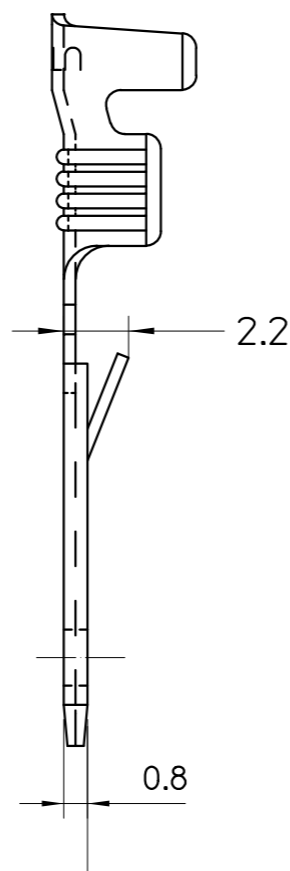
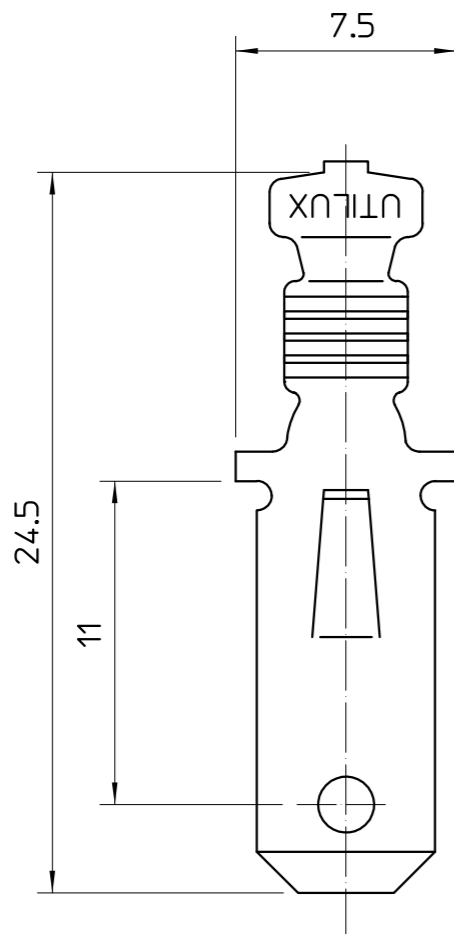
3

2

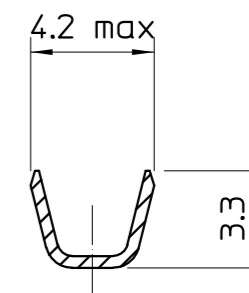
1

THIS DRAWING IS UNPUBLISHED. RELEASED FOR PUBLICATION
 © COPYRIGHT BY TYCO ELECTRONICS CORPORATION. ALL RIGHTS RESERVED.

LOC	DIST	REVISIONS			
P	LTR	DESCRIPTION	DATE	DWN	APVD
U	-				
	A	REVISED PER ECR-22-155158	01NOV2022	GK	SC



B-B



A-A

NOTES:

1. WIRE RANGE

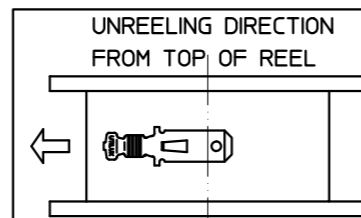
CONDUCTOR: 0.7mm² - 2.1mm²

INSULATION DIA: 2.3mm - 3.1mm

2 OBSOLETE PARTS: OBSOLETE CIS STREAMLINING PER D.RENAUD/D.SINISI

	LOOSE PIECE	BRASS	TAB, H2832/10000	1-1627133-6
OBSOLETE	REEL FORM	BRASS PRE-TIN	TAB, H2832ET/R7000	1-1627133-3
OBSOLETE	REEL FORM	BRASS	TAB, H2832/R7000	1-1627133-2
2 OBSOLETE	LOOSE PIECE	BRASS	TAB, H2832/1000	1-1627133-0
	REMARKS	MATERIAL	DESCRIPTION	PART No.

THIS INFORMATION IS CONFIDENTIAL AND PROPRIETARY TO TYCO ELECTRONICS CORPORATION AND ITS WORLDWIDE SUBSIDIARIES AND AFFILIATES. IT MAY NOT BE DISCLOSED TO ANYONE OTHER THAN TYCO ELECTRONICS PERSONNEL WITHOUT WRITTEN PERMISSION FROM TYCO ELECTRONICS CORPORATION, HARRISBURG, PENNSYLVANIA, USA.



THIS DRAWING IS A CONTROLLED DOCUMENT.		DWN: W.RIEDE 6.12.04	TE Connectivity	
ALL DIMENSIONS IN mm:		CHK: H.THAI 6.12.04		
TOLERANCES UNLESS OTHERWISE SPECIFIED:		APVD: W.RIEDE 6.12.04	NAME: TAB, QC 6.3	
DIMENSION (mm) TOLERANCE(+/-mm)		PRODUCT SPEC: -	DRAWING NO: C-1627133	
LESS THAN 10 0.4		APPLICATION SPEC: -	SIZE: A3	CAGE CODE: -
OVER 10 TO 30 0.5		WEIGHT: -	RESTRICTED TO: -	
OVER 30 TO 80 0.7		CUSTOMER DRAWING		
OVER 80 TO 250 1.0		SCALE 4:1		
ANGLES +2°		SHEET 1 OF 1		
MATERIAL: -	FINISH: -	REV A		