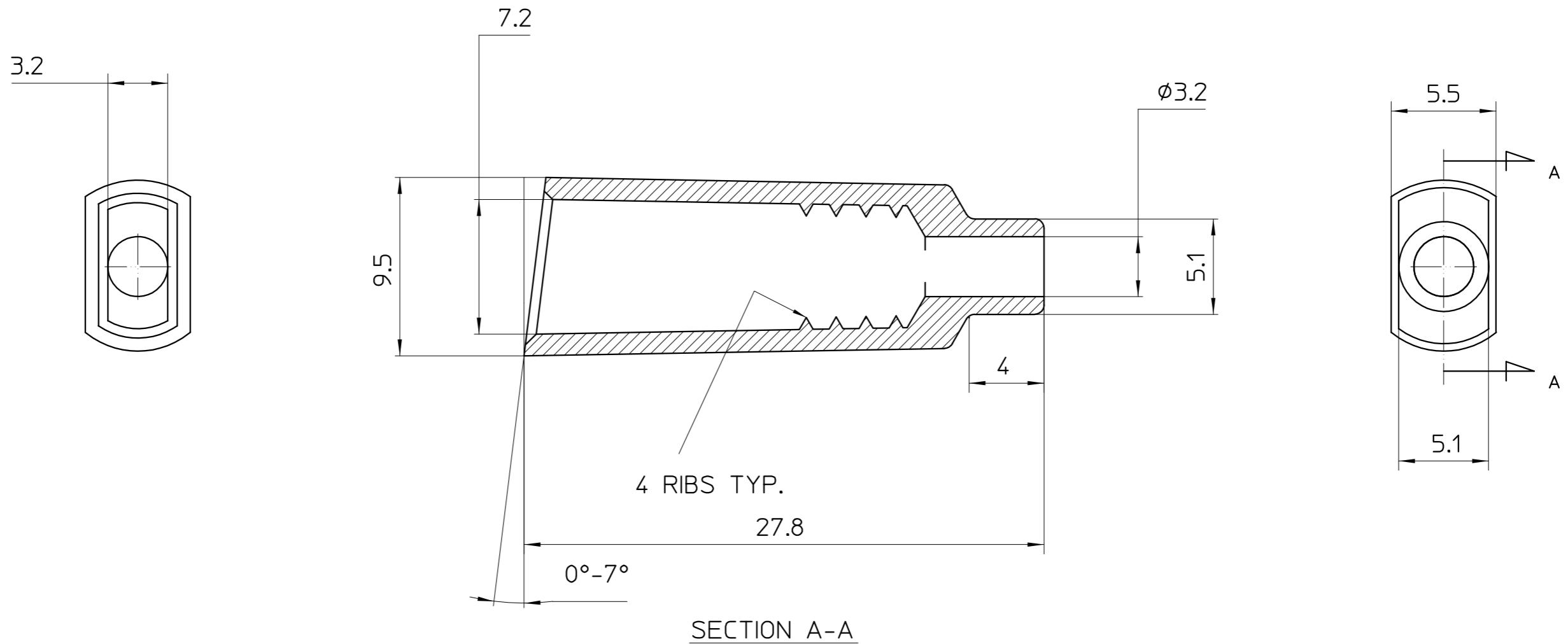


THIS DRAWING IS UNPUBLISHED. RELEASED FOR PUBLICATION
 © COPYRIGHT BY TYCO ELECTRONICS CORPORATION. ALL RIGHTS RESERVED.

LOC	DIST	REVISIONS					
		P	LTR	DESCRIPTION	DATE	DWN	APVD
U	-	0		REDRAWN - WAS UTILUX DRAWING 01.01135.01	24 OCT 08	N.P.	W.R.
		01		ECR-09-007815 - P/N 1--5 ADDED	6 APR 09	WR	WR
		P		REVISED PER ECR-16-011986	23AUG2016	RS	PO



①	5000	PHTHALATE-FREE PVC, FLEXIBLE CLEAR	INSULATOR (H1135/5000)	1-1627011-5
	150		INSULATOR (H1135/150)	1-1627011-0
	PACK SIZE	MATERIAL DESC.	DESCRIPTION (UTXP/N:)	PART No.
THIS DRAWING IS A CONTROLLED DOCUMENT.		DWN: N.PATEL 24 OCT 08		
ALL DIMENSIONS IN mm:		CHK: W.RIEDE 24 OCT 08		
TOLERANCES UNLESS OTHERWISE SPECIFIED: DIMENSION (mm) TOLERANCE(±mm) LESS THAN 10 0.4 OVER 10 TO 30 0.5 OVER 30 TO 80 0.7 OVER 80 TO 250 1.0 ANGLES ±2°		APVD: W.RIEDE 24 OCT 08		
		PRODUCT SPEC: -	NAME: INSULATOR, PRE-FIT	
MATERIAL REF BLOCK		APPLICATION SPEC: -		
FINISH -		WEIGHT: -	SIZE A3	CAGE CODE
		DRAWING NO. ©=1627011		RESTRICTED TO -
CUSTOMER DRAWING			SCALE 4:1	SHEET 1 OF 1
			REV P	

NOTES:
 1. PRE-FIT TYPE INSULATOR TO SUIT QC 6.3 STRAIGHT RECEPTACLE.

THIS INFORMATION IS CONFIDENTIAL AND PROPRIETARY TO TYCO ELECTRONICS AND ITS WORLDWIDE SUBSIDIARIES AND AFFILIATES. IT MAY NOT BE DISCLOSED TO ANYONE OTHER THAN TYCO ELECTRONICS PERSONNEL, WITHOUT AUTHORIZATION.