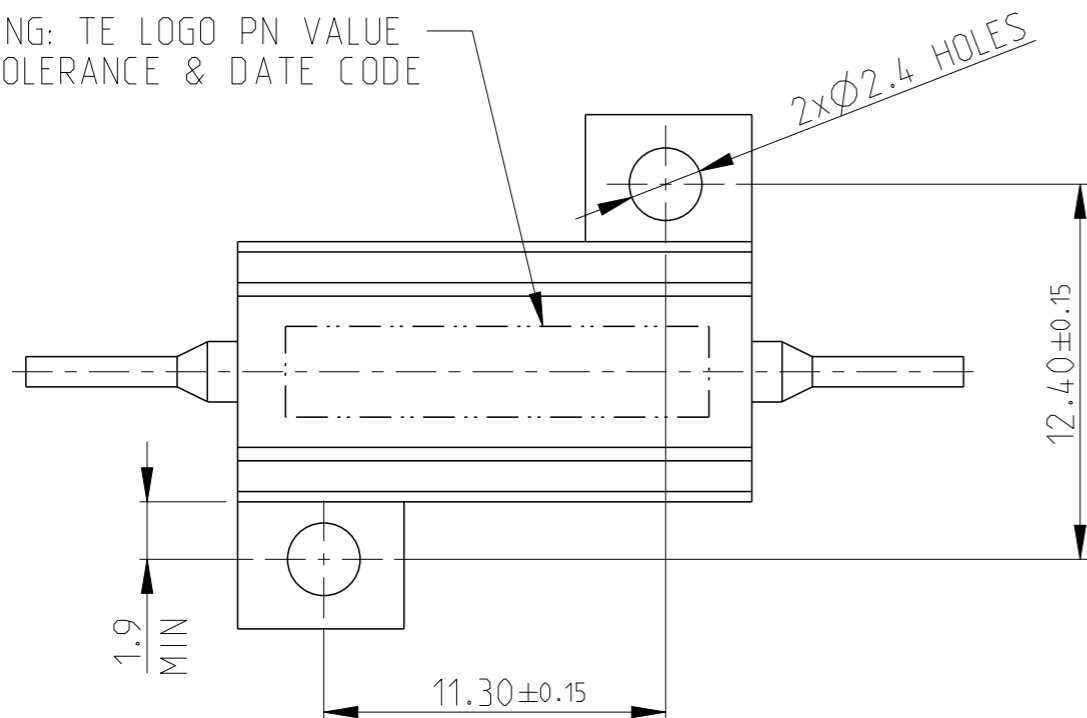


REVISIONS

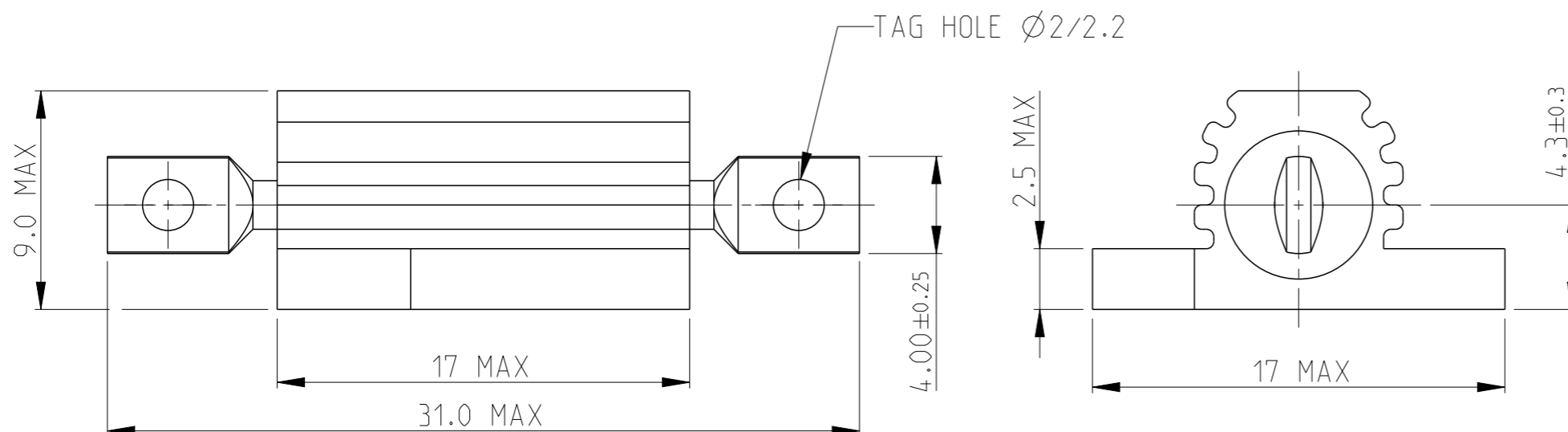
P	LTR	DESCRIPTION	DATE	DWN	APVD
	B2	Released as per ECR-09-006012	16-MAR-09	SP	JC
	B3	ECR-13-007945	14MAY2013	KR	TN
	V	ECR-16-003725	14MAR2016	KR	TN

LASER MARKING: TE LOGO PN VALUE TOLERANCE & DATE CODE

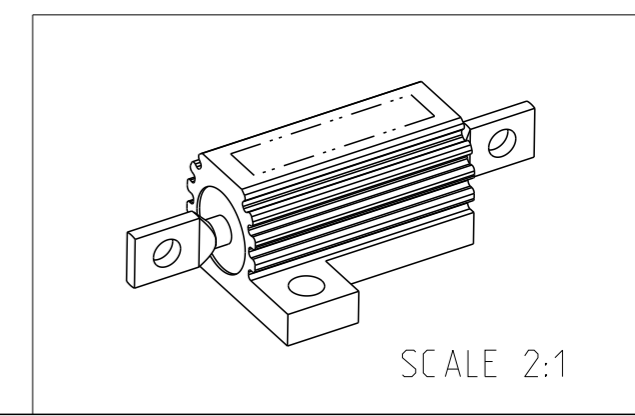



- FOR FURTHER INFORMATION SEE DATA SHEET FOR HS SERIES-ALUMINIUM HOUSED RESISTORS
- FOR A SPECIFIC PN FOR A RESISTANCE VALUE AND TOLERANCE, PLEASE REFER TO DMF
- TECHNICAL SPECIFICATION

DISSIPATION AT 25°C : 10 WATTS MOUNTED ON STD HEATSINK
 BS OHMIC RANGE : R051 TO 7KS
 STABILITY : ΔR < =1% PER 1000Hrs
 ISOLATION VOLTAGE : 1400V DC/AC pk
 MAX WORKING VOLTAGE : 150V DC/AC rms
 TEMP COEFFICIENT : > 1R0 50ppm
 > 100R 25ppm
 CLIMATIC CATEGORY : 55/200/56



RoHS Compliant



THIS DRAWING IS A CONTROLLED DOCUMENT.		DWN D KENNEDY 07.NOV.05	 TE Connectivity		
DIMENSIONS: mm		CHK J CATCHPOLE 07.NOV.05			
TOLERANCES UNLESS OTHERWISE SPECIFIED:		APVD J CATCHPOLE 07.NOV.05	NAME HSA 5 METAL CLAD RESISTOR		
0 PLC ±0.5 1 PLC ±0.2 2 PLC ±0.1 3 PLC ± 4 PLC ± ANGLES ±5°		PRODUCT SPEC -	APPLICATION SPEC -		
MATERIAL -	FINISH -	WEIGHT -	SIZE A3	CAGE CODE 00779	DRAWING NO C=1625963
material_2		finish_spec_2		CUSTOMER DRAWING	
			SCALE 4:1	SHEET 1 OF 1	REV V