

4

3

2

1

THIS DRAWING IS UNPUBLISHED.

RELEASED FOR PUBLICATION

2008

© COPYRIGHT 2008 BY -

ALL RIGHTS RESERVED.

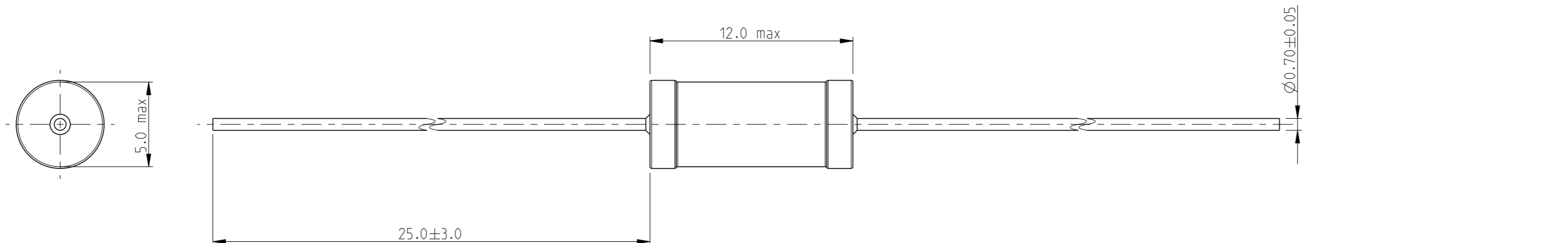
LOC  
E

DIST  
B

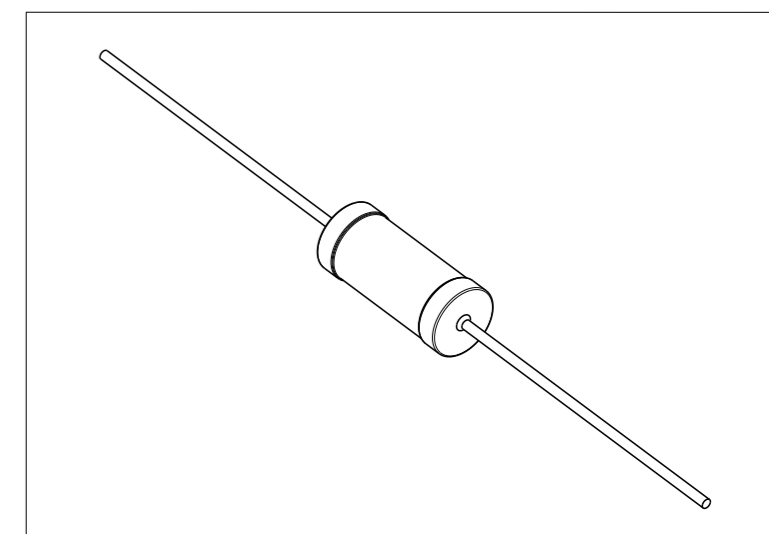
REVISIONS

P	LTR	DESCRIPTION	DATE	DWN	APVD
	BA1	ECR-12-017848	11OCT2012	KR	TN

FOR FURTHER INFORMATION SEE DATA SHEET FOR SERIES ROX. FLAME-PROOF POWER METAL OXIDE FILM RESISTORS



RoHS Compliant



THIS DRAWING IS A CONTROLLED DOCUMENT.		DWN PARUSURAM 19MAY2010		
		CHK SUBHASH.M 19MAY2010		
DIMENSIONS: mm		APVD J. CATCHPOLE 19MAY2010	NAME FLAME-PROOF POWER METAL OXIDE FILM RESISTORS SERIES ROX2S	
		PRODUCT SPEC -	-	
TOLERANCES UNLESS OTHERWISE SPECIFIED:		APPLICATION SPEC -	RESTRICTED TO -	
0 PLC $\pm 0.2$ 1 PLC $\pm 0.1$ 2 PLC $\pm$ 3 PLC $\pm$ 4 PLC $\pm$ ANGLES $\pm 5^\circ$		WEIGHT -	SIZE A3	CAGE CODE 00779
MATERIAL -		FINISH -	DRAWING NO C-1625890	
		CUSTOMER DRAWING	SCALE 4:1	SHEET 1 OF 1
				REV BA1