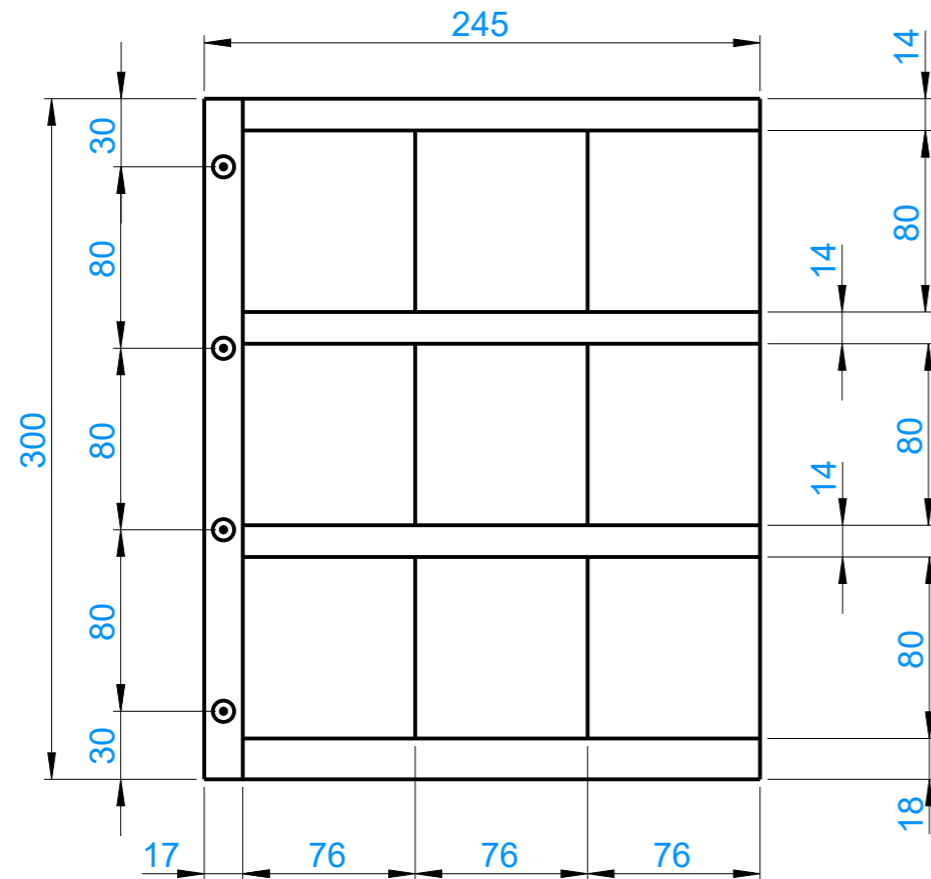


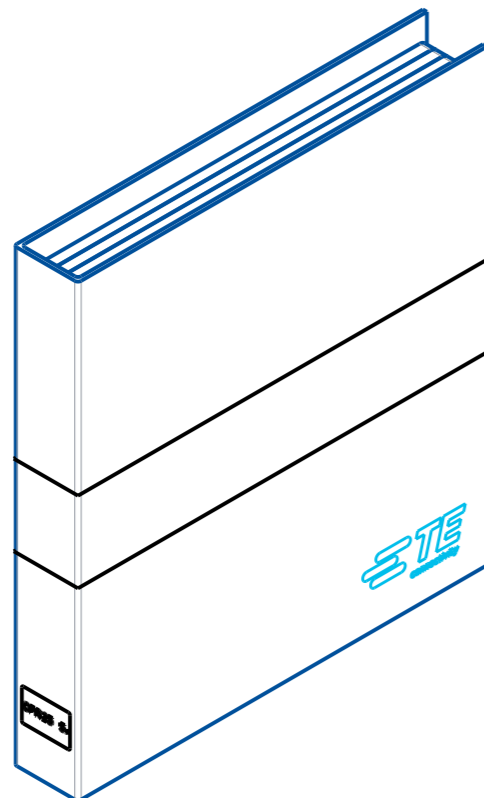
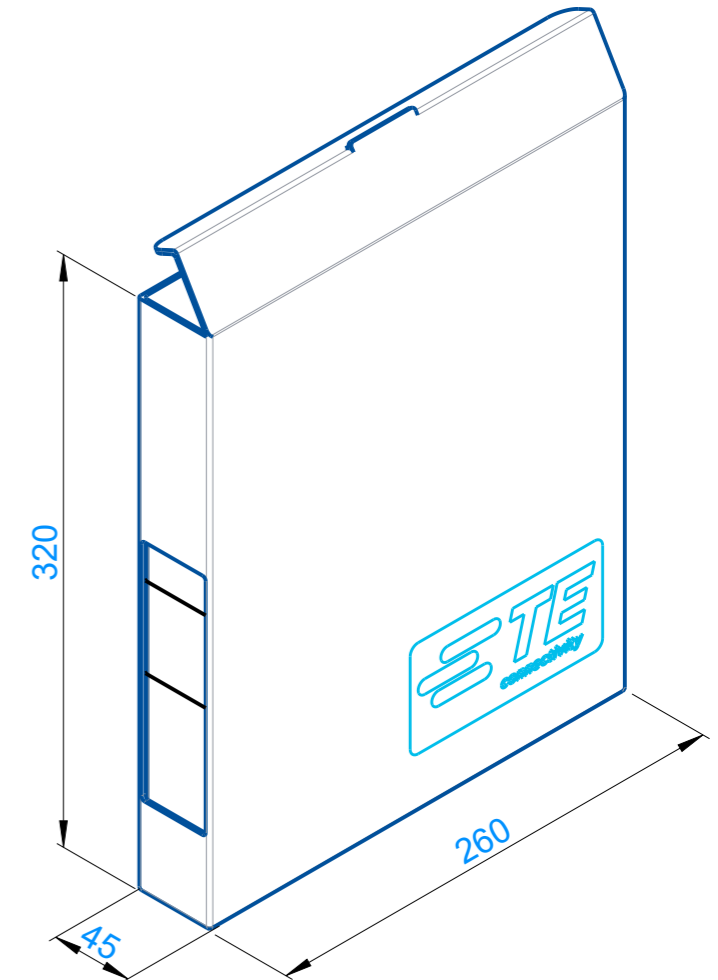
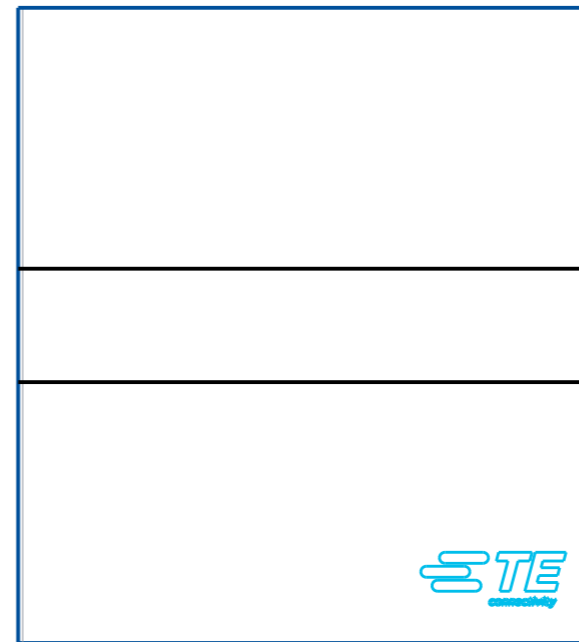
REVISIONS

P	LTR	DESCRIPTION	DATE	DWN	APVD
	BB	DRAWING UPDATED	16DEC2021	DM	AP

PAGE INSERT DIMENSIONS



FOLDER DIMENSIONS




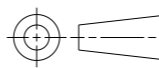
ALL DIMENSIONS NOMINAL

THIS DRAWING IS A CONTROLLED DOCUMENT.		DWN	16DEC2021			TE Connectivity
		CHK	16DEC2021			
		ALLAN P				
		APVD	16DEC2021			
		ALLAN P			NAME RESISTOR LAB KITS	
DIMENSIONS:		TOLERANCES UNLESS OTHERWISE SPECIFIED:		PRODUCT SPEC		
mm				-		
		0 PLC	±		APPLICATION SPEC	
		1 PLC	±		-	
		2 PLC	±		WEIGHT	
		3 PLC	±		-	
		4 PLC	±		SIZE	
		ANGLES	±		A3	
MATERIAL		FINISH		CAGE CODE		DRAWING NO
-		-		00779		C-1625873
-		-		RESTRICTED TO		-
		CUSTOMER DRAWING		SCALE		1:1
				SHEET		1 OF 2
				REV		BB

REVISIONS

P	LTR	DESCRIPTION	DATE	DWN	APVD
		SEE SHEET 1			

CFR50 LAB-KIT	RES KIT CFR50RS	1625873-9	14
CFR25 LAB-KIT	RES KIT CFR25RS	1625873-8	13
CFR16 LAB-KIT	RES KIT CFR16RS	1625873-7	12
1206 LAB-KIT	RES KIT 1206RS	1625873-6	11
0805 LAB-KIT	RES KIT 0805RS	1625873-5	10
0603 LAB-KIT	RES KIT 0603RS	1625873-3	9
0402 5% LAB-KIT	RES KIT 0402RS	1625873-1	8
3521 10R-1M0 LAB-KIT	3521-LABKIT	1-1625873-6	7
0201 LAB-KIT	RES-KIT-0201	1-1625873-5	6
0402 1% LAB-KIT	RESKIT0402RS1%	1-1625873-4	5
ROX1S LAB-KIT	RES KIT ROX1SRS	1-1625873-3	4
LR2 LAB-KIT	RES KIT LR2RS	1-1625873-2	3
LR1 LAB-KIT	RES KIT LR1RS	1-1625873-1	2
LR0204 LAB-KIT	RES KIT LR0204R	1-1625873-0	1
MATERIAL DESCRIPTION	PRODUCT NUMBER	TCPN/DRAWING	ITEM

THIS DRAWING IS A CONTROLLED DOCUMENT.		DWN DHEERAJ M 16DEC2021	 TE Connectivity		
DIMENSIONS: mm		CHK ALLAN P 16DEC2021			
TOLERANCES UNLESS OTHERWISE SPECIFIED:		APVD ALLAN P 16DEC2021	NAME RESISTOR LAB KITS		
		PRODUCT SPEC -	RESTRICTED TO		
MATERIAL -		APPLICATION SPEC -	SIZE A3	CAGE CODE 00779	DRAWING NO G-1625873
FINISH -		WEIGHT -	SCALE 1:1	SHEET 2 OF 2	REV BB
		CUSTOMER DRAWING			