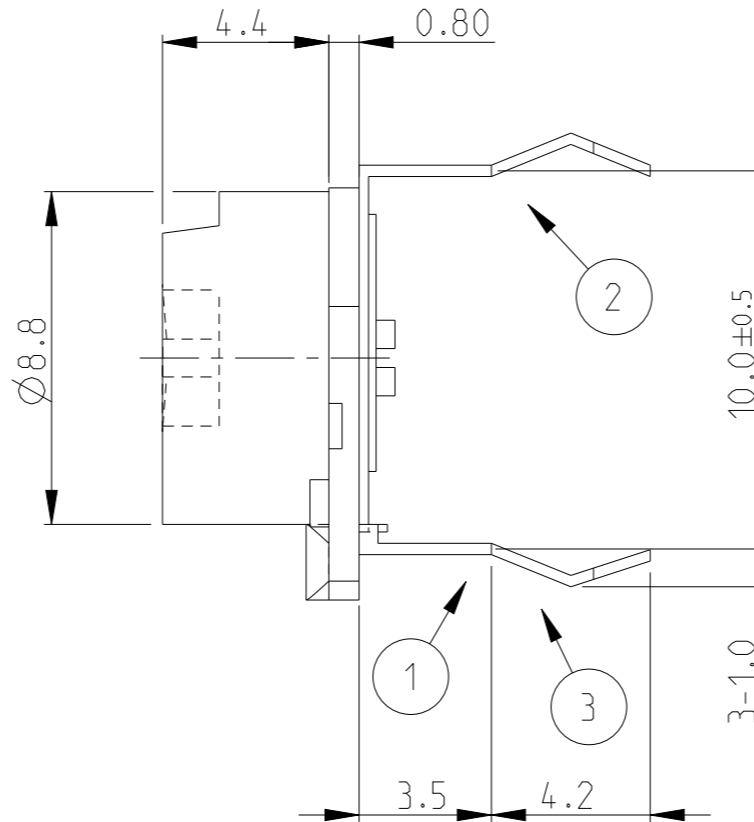
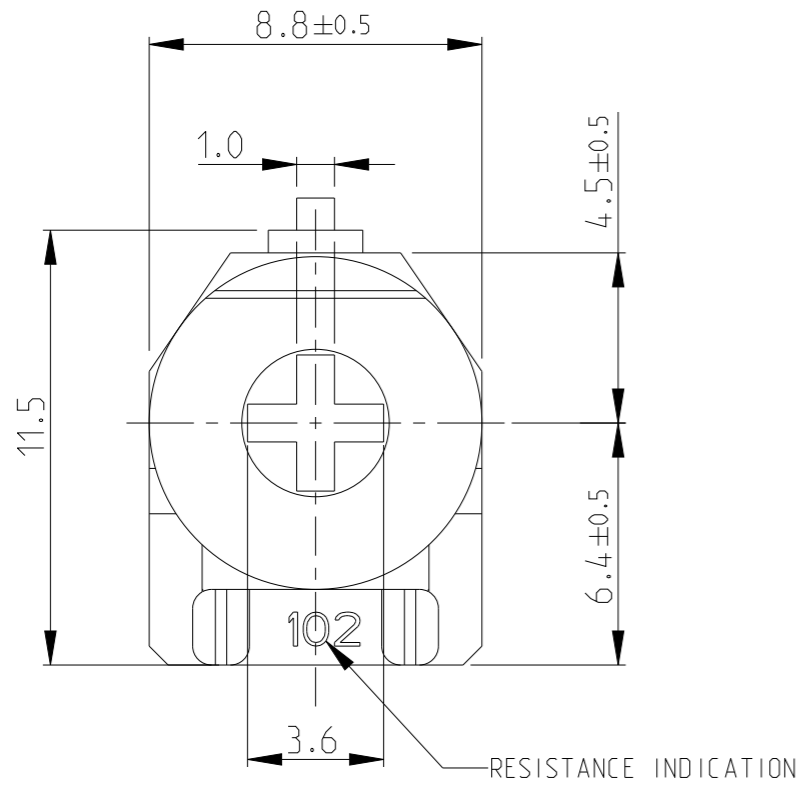
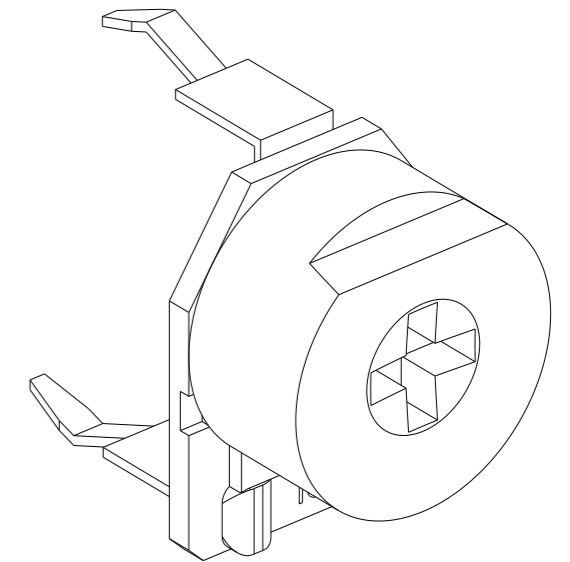
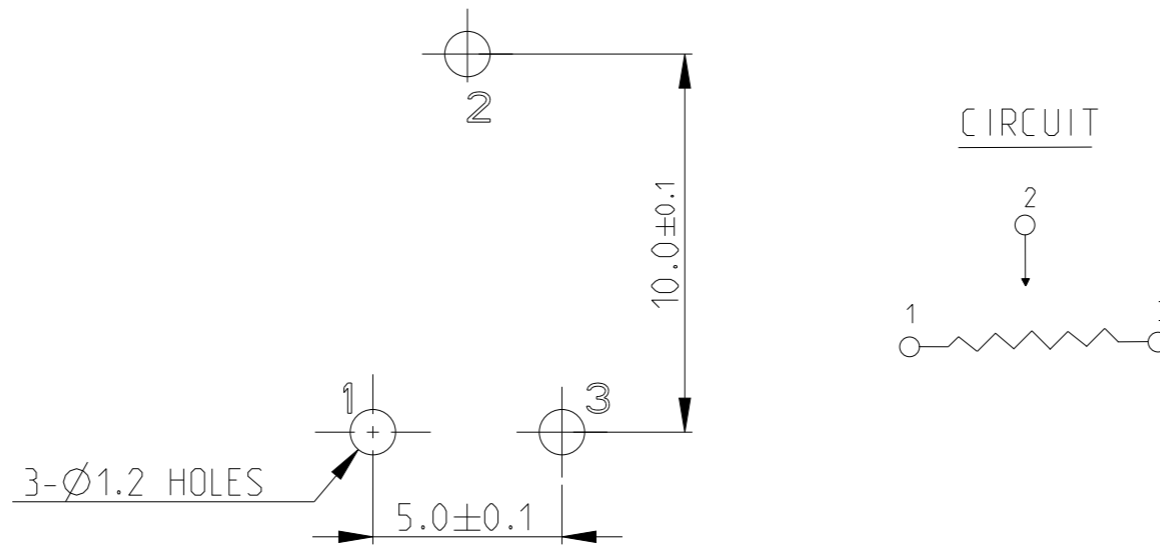
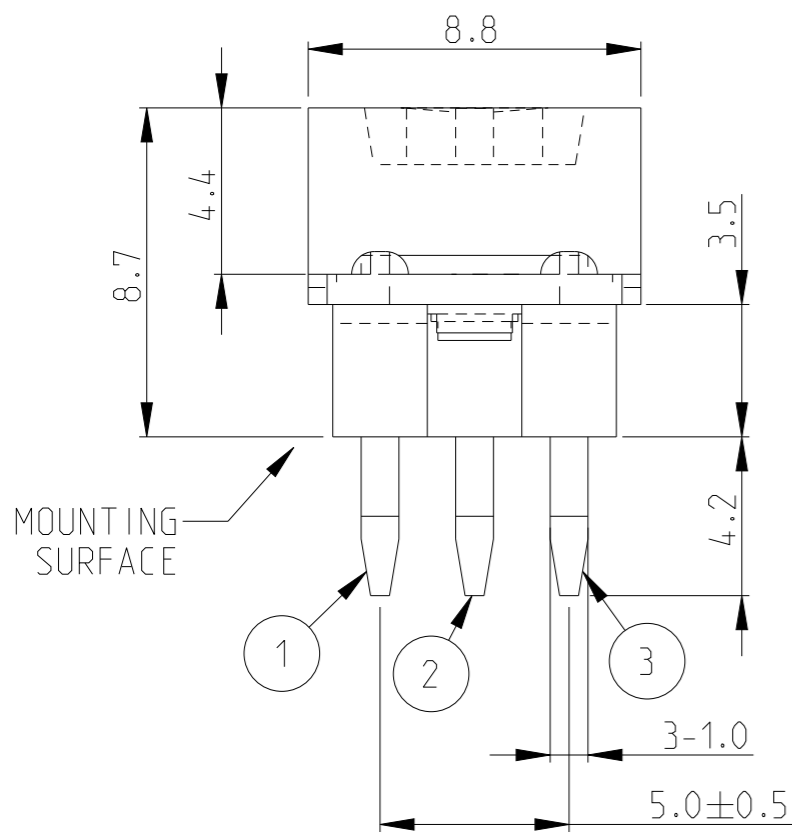



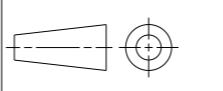
P	LTR	DESCRIPTION	DATE	DWN	APVD
	BA	NEW RELEASE	28JUL2008	SM	St.P
	BA1	OBSOLETE	25MAR2022	DM	AP
	BA2	RELEASED	07APR2022	DM	AP



FOR FURTHER INFORMATION SEE DATA SHEET FOR 409 SERIES-ECONOMY TRIMMERS

RoHS Compliant



THIS DRAWING IS A CONTROLLED DOCUMENT.		DWN	28JUL2008		 TE Connectivity NAME ECONOMY TRIMMERS SERIES 409H
		CHK	28JUL2008		
		APVD	28JUL2008		
		APVD	STEPHEN.P		
DIMENSIONS: mm		TOLERANCES UNLESS OTHERWISE SPECIFIED:		PRODUCT SPEC	
		0 PLC	±0.5		APPLICATION SPEC
		1 PLC	±0.2		-
		2 PLC	±0.1		-
		3 PLC	±		-
MATERIAL		FINISH		WEIGHT	
-		-		-	
		CUSTOMER DRAWING		SIZE	RESTRICTED TO
				A3	-
				CAGE CODE	SCALE
				00779	5:1
				DRAWING NO	SHEET
				©=1623857	1 OF 1
				REV	BA2