

4

3

2

1

THIS DRAWING IS UNPUBLISHED.

RELEASED FOR PUBLICATION

2009

© COPYRIGHT 2009

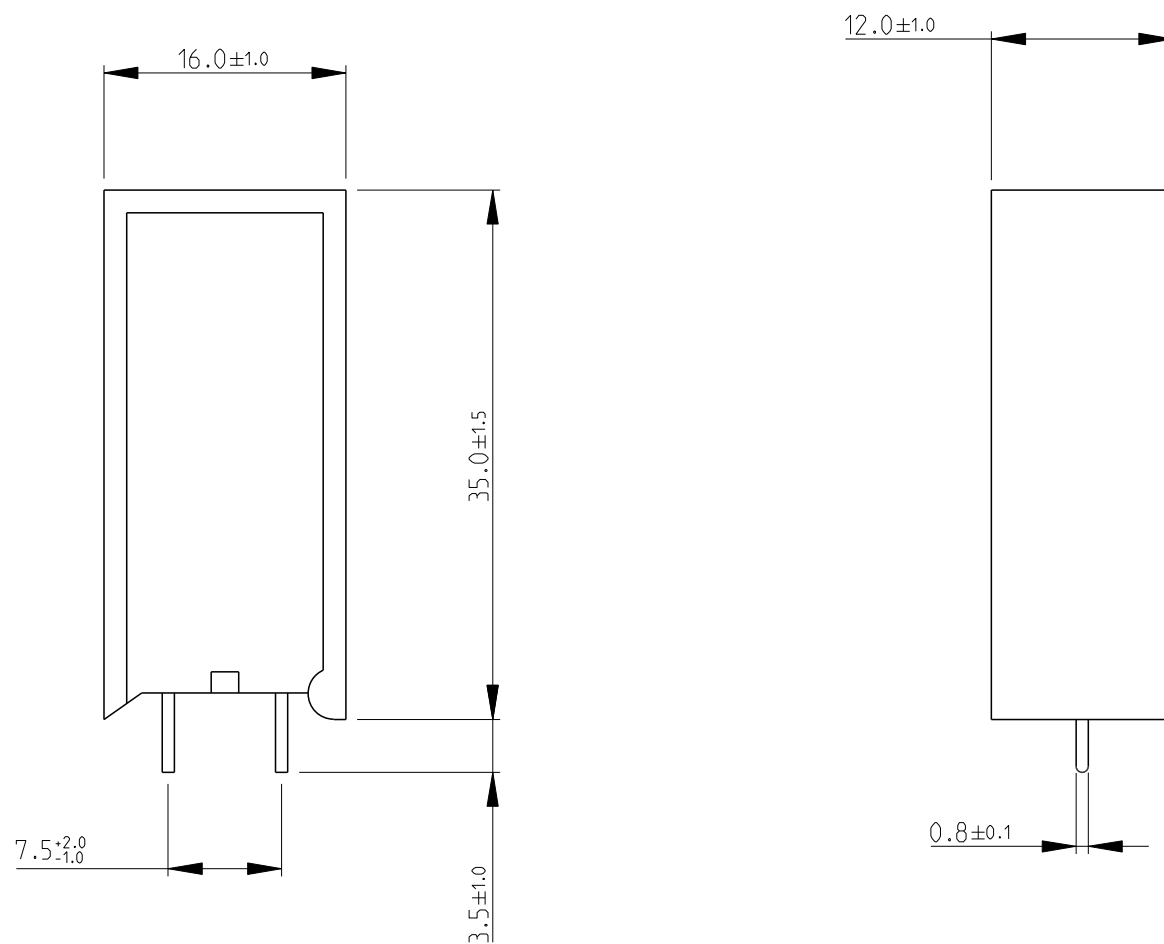
ALL RIGHTS RESERVED.

LOC E DIST B

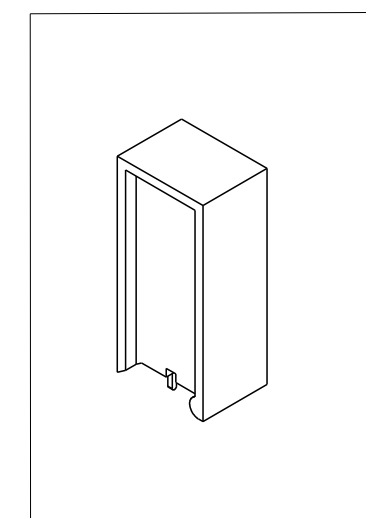
REVISIONS


P	LTR	DESCRIPTION	DATE	DWN	APVD
	BB	ECR-11-016776	13AUG2011	PSK	JC

FOR FURTHER INFORMATION SEE DATA SHEET FOR HIGH POWER RESISTORS OF SQ SERIES



RoHS Compliant



THIS DRAWING IS A CONTROLLED DOCUMENT.		DWN 12OCT2010 PARUSURAM.T	 TE Connectivity																
DIMENSIONS: mm		CHK 12OCT2010 ALLAN.P				NAME HIGH POWER RESISTORS SERIES SQM10S													
TOLERANCES UNLESS OTHERWISE SPECIFIED:		APVD 12OCT2010 STEPHEN.P	PRODUCT SPEC -																
<table border="0"> <tr><td>0 PLC</td><td>±0.2</td></tr> <tr><td>1 PLC</td><td>±0.1</td></tr> <tr><td>2 PLC</td><td>±</td></tr> <tr><td>3 PLC</td><td>±</td></tr> <tr><td>4 PLC</td><td>±</td></tr> <tr><td>ANGLES</td><td>±5°</td></tr> </table>		0 PLC	±0.2	1 PLC	±0.1	2 PLC	±	3 PLC	±	4 PLC	±	ANGLES	±5°	APPLICATION SPEC -		SIZE A3	CAGE CODE 00779	DRAWING NO C-1623790	RESTRICTED TO -
0 PLC	±0.2																		
1 PLC	±0.1																		
2 PLC	±																		
3 PLC	±																		
4 PLC	±																		
ANGLES	±5°																		
MATERIAL -		FINISH -		WEIGHT -		CUSTOMER DRAWING		SCALE 1:1	SHEET 1 OF 1	REV BB									