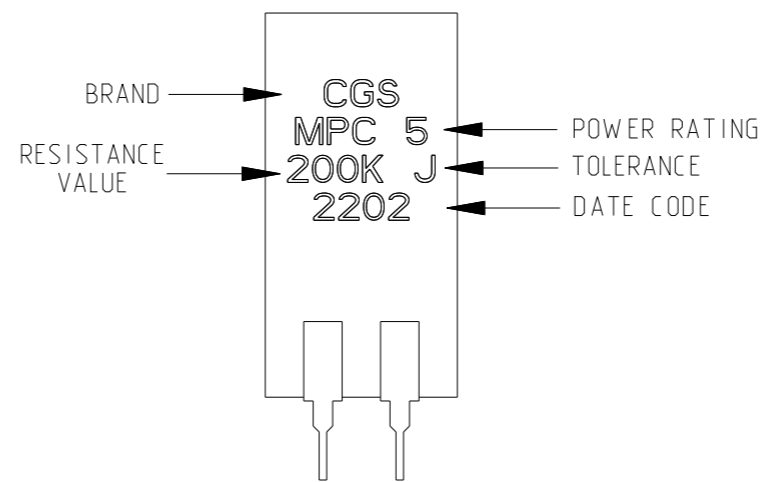
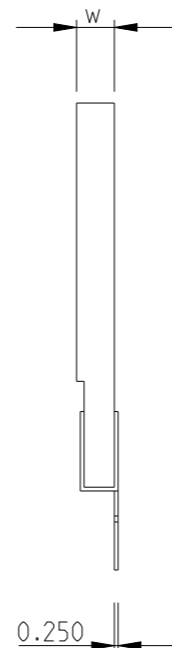
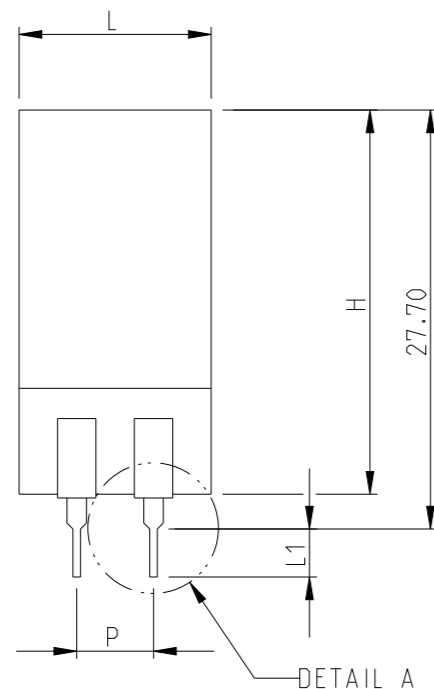


REVISIONS

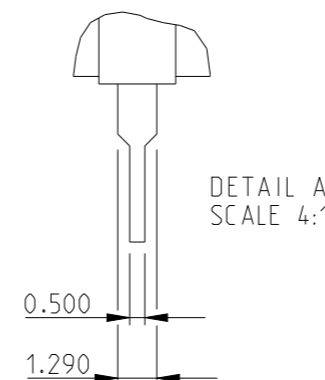
P	LTR	DESCRIPTION	DATE	DWN	APVD
	BA	NEW RELEASE	27-JAN-2011	PT	St.P
	BB	DRAWING SCHEDULE UPDATED	29NOV2022	Ka	AP



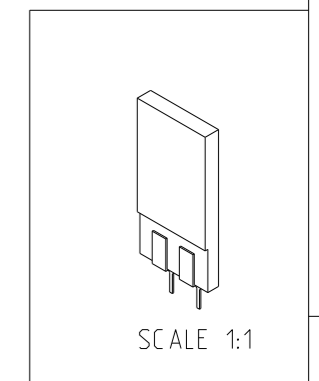
FOR FURTHER INFORMATION SEE DATA SHEET FOR SERIES MPC - HIGH POWER RESISTORS

L ±0.13	H ±0.13	W ±0.05	P ±0.38	L1
12.7	25.4	2.5	5.08	3.175

SCHEDULE			
TCPN	CATALOGUE NUMBER	PART DESCRIPTION	PART STATUS
1623776-1	MPC52100J	MPC5 10R 5%	PRODUCTION
1623776-2	MPC52101J	MPC5 100R 5%	PRODUCTION
1623776-3	MPC52102J	MPC5 1K0 5%	PRODUCTION
1623776-4	MPC52103J	MPC5 10K 5%	PRODUCTION
1623776-5	MPC52150J	MPC5 15R 5%	DISCONTINUED
1623776-6	MPC521R0J	MPC5 1R0 5%	PRODUCTION
1623776-7	MPC521R8J	MPC5 1R8 5%	DISCONTINUED
1623776-8	MPC52200J	MPC5 20R 5%	PRODUCTION
1623776-9	MPC52201J	MPC5 200R 5%	PRODUCTION
1-1623776-0	MPC52202J	MPC5 2K0 5%	PRODUCTION
1-1623776-1	MPC52203J	MPC5 20K 5%	PRODUCTION
1-1623776-2	MPC522R0J	MPC5 2R0 5%	DISCONTINUED
1-1623776-3	MPC52330J	MPC5 33R 5%	DISCONTINUED
1-1623776-4	MPC52333J	MPC5 33K 5%	DISCONTINUED
1-1623776-5	MPC52500J	MPC5 50R 5%	PRODUCTION
1-1623776-6	MPC52501J	MPC5 500R 5%	PRODUCTION
1-1623776-7	MPC52502J	MPC5 5K0 5%	PRODUCTION
1-1623776-8	MPC52503J	MPC5 50K 5%	PRODUCTION
1-1623776-9	MPC525R0J	MPC5 5R0 5%	PRODUCTION
2-1623776-0	MPC525R6J	MPC5 5R6 5%	DISCONTINUED
2-1623776-1	MPC52102F	MPC5 1K0 1%	DISCONTINUED
2-1623776-2	2-1623776-2	MPC5 50R 5% (NO LEAD FRAME)	DISCONTINUED
2-1623776-3	MPC52390J	MPC5 39R 5%	PRODUCTION



RoHS Compliant



THIS DRAWING IS A CONTROLLED DOCUMENT.

DIMENSIONS: mm	TOLERANCES UNLESS OTHERWISE SPECIFIED: 0 PLC ±0.2 1 PLC ±0.1 2 PLC ± 3 PLC ± 4 PLC ± ANGLES ±5°	DWN T.PARUSURAM 27-JAN-2011		NAME <b>HIGH POWER RESISTORS          TYPE MPC5 SERIES</b>		
		CHK ALLAN.P 27-JAN-2011				
MATERIAL -		APVD STEPHEN.P 27-JAN-2011			PRODUCT SPEC -	APPLICATION SPEC -
FINISH -		WEIGHT 1.3 g/pc			SIZE A3	CAGE CODE 00779
CUSTOMER DRAWING			SCALE 2:1	SHEET 1 OF 1	REV BB	