

**CONSTRUCTION**  
**MAIN CONTACTS**  
 CONFIGURATION S.P.D.T.  
 VOLTAGE (NOM.) 28 VDC  
 CURRENT RES. 200 AMP  
 INRUSH 600 AMP CARRY ONLY

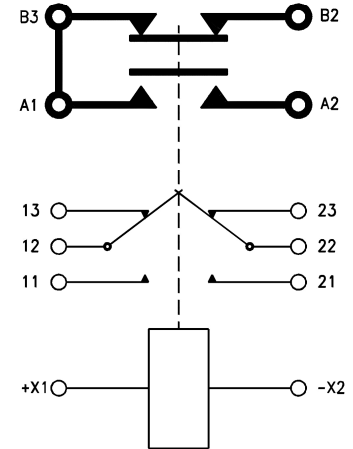
**AUXILIARY CONTACTS**  
 CONFIGURATION DPDT  
 VOLTAGE 28 VDC.  
 CURRENT RES. 5 AMP  
 IND. 3 AMP

**COIL DATA**  
 MAX OPERATE 30 VDC  
 MIN OPERATE 24 VDC  
 PICKUP AT 25°C 16.5 V. MAX.  
 DROPOUT 0.5 TO 7 V  
 RES AT 25°C 50 OHM ±20%  
 DUTY CYCLE CONTINUOUS

**ENVIRONMENTAL DATA**  
 AMBIENT TEMP -55°C TO + 71°C  
 LIFE ELECTRICAL 50,000 CYCLES MIN  
 LIFE MECHANICAL 100,000 CYCLES MIN  
 WEIGHT MAX 1 LB 15 OZ.

**NOTE:**  
 1. PAINT REMOVED FROM 2 OPPOSITE MTG HOLES, TOP & BOTTOM, FOR GROUNDING PURPOSES.  
 2. 2.53" DIM IS MEASURED FROM TOP OF BUS BAR STRAP.

REV.		DESCRIPTION	RELEASED	DATE	APPROVED
C	21709	REDRAWING, ADDED "SILASTIC SEALED" TO CONSTRUCTION		92/01/10	
D	23279	ADDED POLARITY SIGNS ON SCHEM. AND UNIT		93/05/25	WS
E	32812	FIND NO 11 ADDED		97/04/22	RS
F	41681	VIENS UPDATED TO SHOW LUG NUTS		00/02/07	RS
G	42115	NOTE 1 ADDED		00/03/31	RS
H	0471-04	REMOVED ITEM 11, ITEM 5 WAS 41685-001		04/06/01	CB
J	05-2043	ADDED NOTE 2 & CORRECTED DIM'S		05/05/06	CB



FIND NO.	QTY REQD	PART OR IDENTIFYING NO	NOMENCLATURE OR DESCRIPTION	FSCM NO	DRAWING OR SPECIFICATION	MATERIAL OR NOTE
10	4	51807-034	WASHER LOCK, NO. 1/4 SPLIT			BRONZE
9	8	51806-014	WASHER LOCK, NO. 6 SPLIT			BRONZE
8	4	51200-020	SCREW #4 X 1/4 PAN HD. SHEET METAL			S. STEEL
7	4	50407-364	NUT 1/4-28 X 7/16 X 3/16 HEX			BRASS
6	8	50406-014	NUT 6-32 X 3/16 X 5/64 HEX			BRASS
5	1	47618-006	PLATE - NAME			
4	2	34280-001	PLATE - COVER			
3	1	33896-001	BUS BAR			
2	1	33502-030	CONTACTOR ASSEMBLY - PRIMARY			
1	1	33344-001	PLATE - COVER			

DR BY: RLS 100/05/16 CHK BY: RS 00/05/16 ENGR: JL 00/05/17 NFG: CC 100/05/18		<b>TYCO Electronics</b> Hartman Division, 175 N. DIAMOND STREET, MANSFIELD, OHIO 44902	
UNLESS OTHERWISE SPECIFIED DIMENSIONS ARE IN INCHES TOLERANCES ON		CONTACTOR - S.P.D.T. 200 AMP, 28 VDC 093	
2 PL DEC. 13 PL DEC. 1 ANGL. ES		DWG NO. A-1077W	
.06 .010 .1*		REF TYCO P/N 1616081-4	