

FAA/PMA

B-429CA REV. 1

REVISIONS

REV	DESCRIPTION	DATE	APPROVED
D 24767	ADD ITEMS 14 & 15 ITEM 4 WAS 39529-001* ITEM 6 WAS *90407-143* ITEM 9 WAS 51704-024* ITEM 11 WAS *51802-023*	93/09/21	WS
E 29044	1.51/1.37 WAS 1.43	95/10/25	RS
F 35177	NOTE 6 WAS *RES .1 AMP AT 5V*	98/03/27	RS

CONSTRUCTION

MAIN CONTACTS
CONFIGURATION
VOLTAGE
CURRENT RES.

* AUXILIARY CONTACTS
CONFIGURATION
VOLTAGE
CURRENT RES.
IND.
RUPTURE

COIL DATA

OPERATING VOLTAGE
NOMINAL
PICKUP MAX.
DROPOUT
INRUSH
HOLD

ENVIRONMENTAL DATA

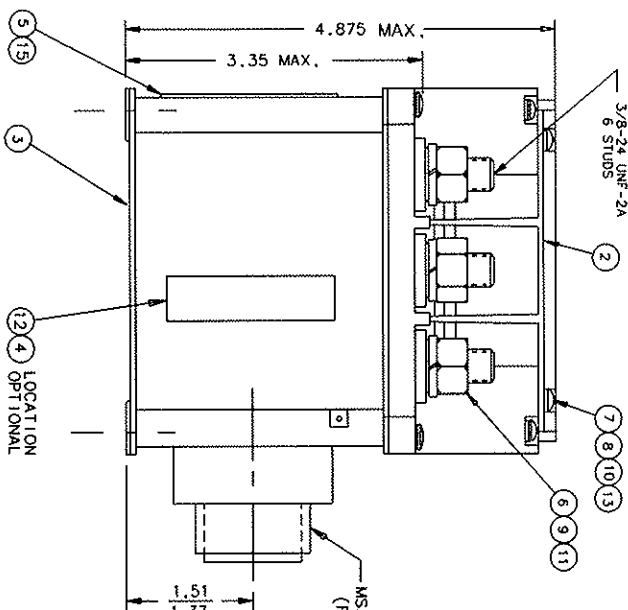
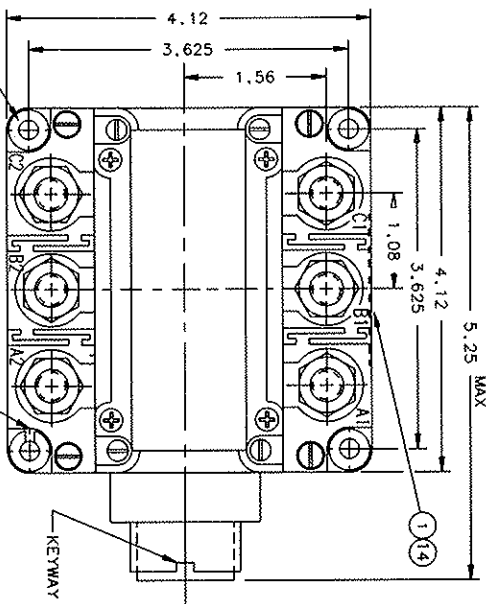
OPERATING TEMP.
ALTITUDE
LIFE ELECTRICAL
LIFE MECHANICAL
WEIGHT MAX. (EST)
OPERATE TIMES AT 28 VDC AT 25°C

NOTES:

1. TERMINAL COVER ITEM NO. 2 REMOVED FROM TOP VIEW.
2. ITEMS NO. 1 & 5 LOCATION OPTIONAL.
3. MOUNTING SURFACE SHALL PROVIDE ELECTRICAL GROUND.
4. THIS UNIT MEETS THE APPLICABLE PORTIONS OF MIL-R 6106

NOTES:

5. TRANSIENT VOLTAGE LIMITED TO 45 VOLTS MAX.
6. AUXS J,K,L & M,N,P, CURRENT .1 AMP RES OR IND AT 28 VDC
7. DIODES TO BE JAN1TX 1000 PIV



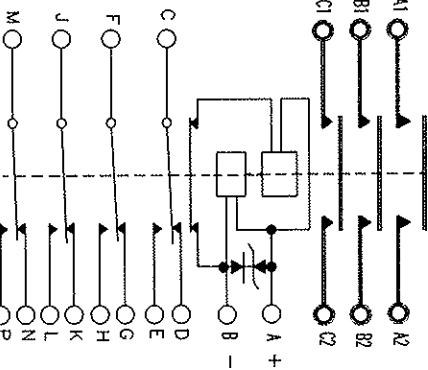
GASKET SEALED (VENTED)

3PST N.O. (DOUBLE BREAK)
120/208 VOLTS FREQ. 400 HZ
350 AMP 115/200 VAC CONTINUOUS
125 AMP
3500 AMP

CONTINUOUS (POWER DOWN)

28 VDC
18 VDC
1-7 VDC
2.7 AMP
.56 AMP

-55°C MIN. + 85°C MAX.
45,000 FT.
50,000 CYCLES MIN.
100,000 CYCLES MIN.
4 LBS.



ITEM NO.	QTY	PART OR IDENTIFYING NO.	DESCRIPTION	FOCUS NO.	DRAWING OR SPECIFICATION	MATERIAL OR NOTE
15	1	39529-002	OVERLAY			
14	1	39529-001	OVERLAY			MYLAR
13	4	51701-180	WASHER 3/16 X .103 X .015			
12	1	58400-117	PLATE-FAA/PMA			BRASS
11	6	51807-084	WASHER LOCK .575 .687 .094 S.P			BRONZE
10	4	51804-021	WASHER LOCK NO. 4 INT.			BRASS
9	6	51704-024	WASHER 5/8 X 25/64 X .062 FLAT			STEEL
8	4	51701-291	WASHER .250 .113 .015 FLAT			STEEL
7	4	51204-391	SCREW 4-40 X 1/4 BD. HD.			STEEL
6	6	50407-164	NUI-3/8-24 X 5/8 X 7/32 HEX			BRASS
5	1	40820-002	PLATE-WIRING DIAGRAM			
4	1	39529-024	OVERLAY			
3	1	36813-040	CONTACTOR ASSEMBLY-PRIMARY			
2	2	35744-001	COVER-TERMINAL			
1	1	16043-001	PLATE-NAME			

FINISH	QTY	PART OR IDENTIFYING NO.	DESCRIPTION	FOCUS NO.	DRAWING OR SPECIFICATION	MATERIAL OR NOTE
2 PL. DEC. 13 PL. DEC. ANGLES	1	1010	1°			

UNLESS OTHERWISE SPECIFIED DIMENSIONS ARE IN INCHES TOLERANCES ARE:	DR BY	RS	98/04/13
±.06	RS	98/04/13	
±.010	ENG	10/22/98	
	MFG	10/22/98	
	RELEASE	10/22/98	
	CONTR. NO.		
	COVT APPVL		

REF: DOUGLAS MD-111	HARTMAN ELECTRICAL MANUFACTURING MANSFIELD, OHIO
CONTACTOR-3PST N.O.	
350 AMP 120/208V 400 HZ	
SIZE CODE IDENT DWG NO.	
C 74063	B-429CA
SCALE NONE	SHEET