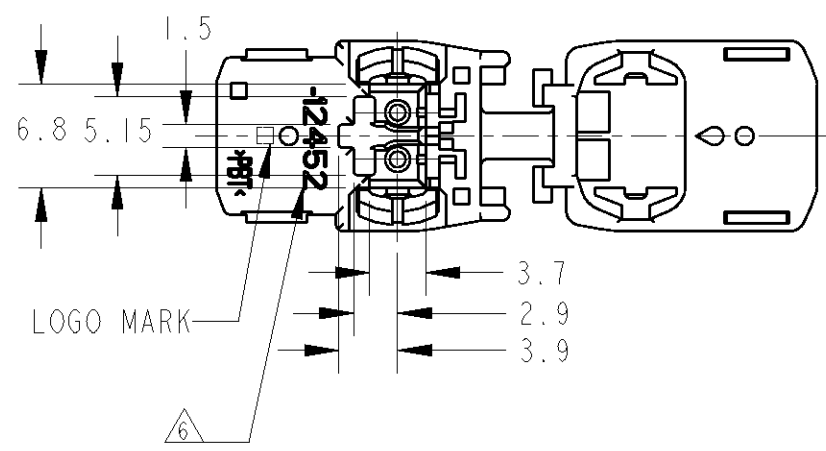
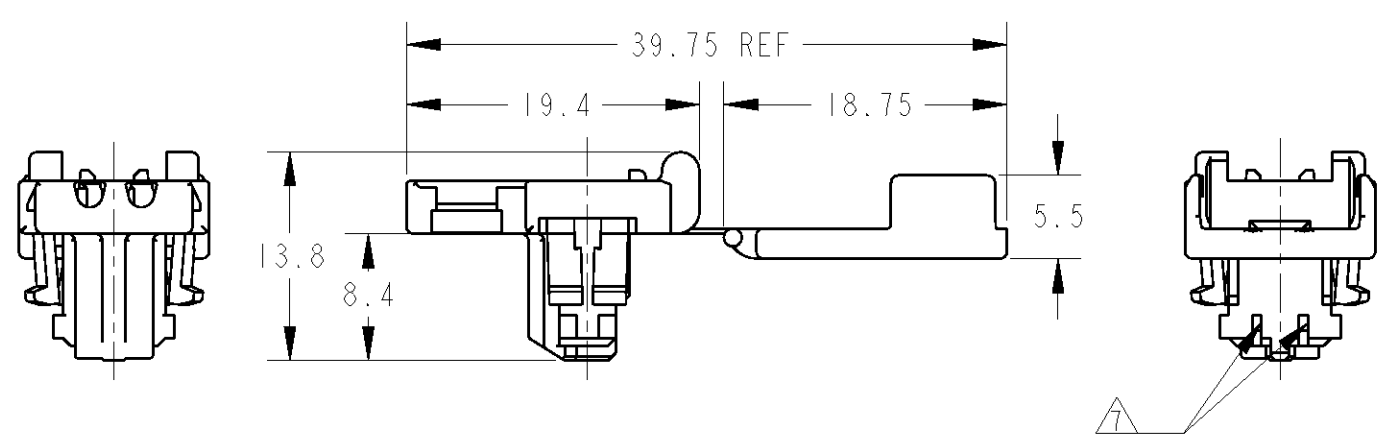
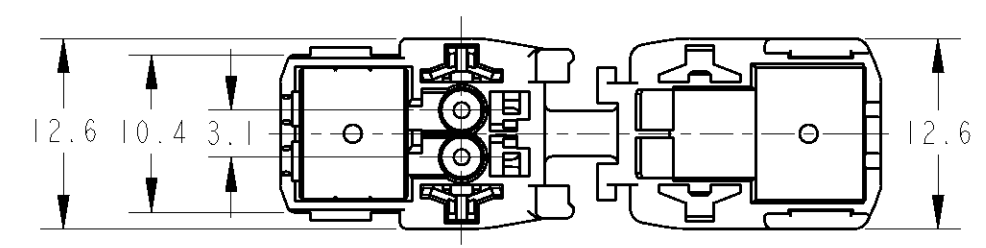


THIS DRAWING IS UNPUBLISHED. RELEASED FOR PUBLICATION 20
 © COPYRIGHT 20 BY TYCO ELECTRONICS CORPORATION. ALL RIGHTS RESERVED.

LOC	DIST	REVISIONS						
		P	LTR	DESCRIPTION	ECN	DATE	DWN	APVD
J	-		01	ADDED -2	FJA0-0638-04	16SEP2004	T.H	H.Y
			02	ADDED -3	FJA0-0785-04	05NOV2004	A.O	H.Y
			03	ADDED -4, -5	ECR-05-004267	06JUN2005	Y.S	H.Y
			A	REVISED	ECR-10-007503	16APR2010	T.S	K.B



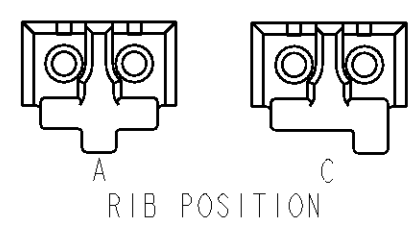
1. APPLICABLE CONTACT P/N: 1612124
(WIRE RANGE: AVSS/AVSSH/AESSX 0.3~0.5mm², CAVS/CAVUS 0.22~0.5mm², HFTUF 2c 0.5mm²)
APPLICABLE FERRITE P/N: 1612123
2. THIS PRODUCT SHOULD BE USED WITH THE IIDIA SQUIB CONNECTOR COMPACT TYPE BUTTON. APPLICABLE BUTTON P/N IS CHANGED FOR SHORT CIRCUIT RING P/N. THE COMBINATION IS SHOWN IN TABLE I
3. APPLICABLE SHORT CIRCUIT RING IS CHANGED FOR BUTTON. THE COMBINATION IS SHOWN IN TABLE I
4. THE FORM OF INTERFACE, SEE THE DRWING OF SHORT CIRCUIT RING.
5. INSTRUCTION SHEET: 411-78033

1. 適用端子品番: 1612124
(適用電線: AVSS/AVSSH/AESSX 0.3~0.5mm², CAVS/CAVUS 0.22~0.5mm², HFTUF 2c 0.5mm²)
適用フェライト品番: 1612123
2. 本製品は、IIDIA SQUIB CONNECTOR COMPACT TYPE BUTTONを装着して使用する。
BUTTON P/Nは、本製品に適用するショートサーキットリング品番により異なる。組み合わせはTABLE Iを参照のこと。
3. 本製品に適用するショートサーキットリング品番は、使用するBUTTONにより異なる。組み合わせはTABLE Iを参照のこと。
4. 嵌合相手形状は、ショートサーキットリング図面を参照のこと。
5. 取扱説明書: 411-78033

TABLE I

SCR	PLUG HSG	BUTTON	
		1612122-1	1827120-1
	699638 1612121-1, -2, -3, -4, -5	NOT APPLICABLE	APPLICABLE
	1473369 1612121-1, -2, -3, -4, -5	APPLICABLE	APPLICABLE
	1376766 1612121-4, -5	NOT APPLICABLE	APPLICABLE

WITHOUT	NONE	C	ORANGE	1612121-5
WITHOUT	NONE	A	YELLOW	1612121-4
WITH	NONE	A	YELLOW	1612121-3
WITH	NONE	C	ORANGE	1612121-2
WITH	-12452	A	BLACK	1612121-1
SLIT		RIB POSITION	COLOR	PART NUMBER



THIS DRAWING IS A CONTROLLED DOCUMENT FOR TYCO ELECTRONICS CORPORATION. IT IS SUBJECT TO CHANGE AND THE CONTROLLING ENGINEERING ORGANIZATION SHOULD BE CONTACTED FOR THE LATEST REVISION.

DWN: R. NAGAI 26MAR2003
 CHK: T. HAYASHI 26MAR2003
 APVD: H. YAMAGAMI 26MAR2003

Tyco Electronics Tyco Electronics Corporation
 Kawasaki, Japan

NAME: IIDIA SQUIB CONNECTOR COMPACT TYPE
 名称: PLUG HOUSING

PRODUCT SPEC: 108-5679
 APPLICATION SPEC: 取付適用規格

MATERIAL: PBT
 FINISH: 仕上 SEE TABLE

WEIGHT: 1.1 g

SIZE: A3
 CAGE CODE: 00779
 DRAWING NO: 1612121

CUSTOMER DRAWING

SCALE: 2:1
 SHEET: 1 OF 1
 REV: A