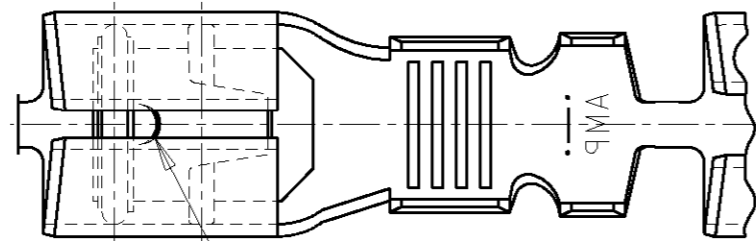
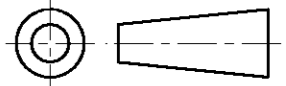


DO NOT SCALE

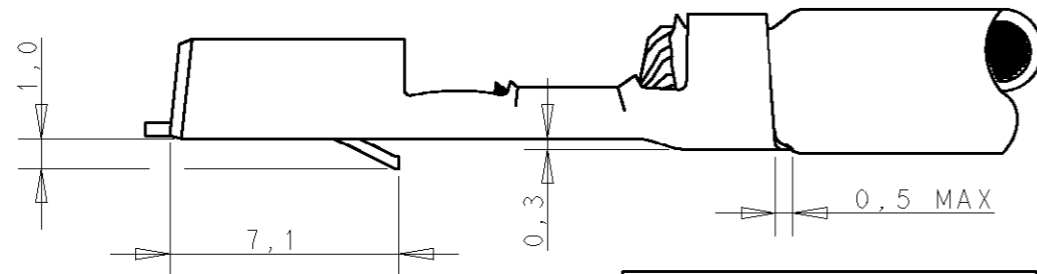
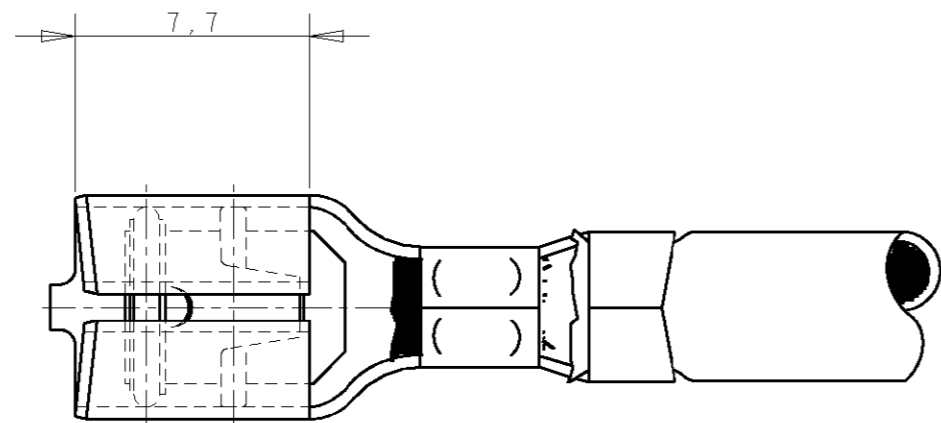
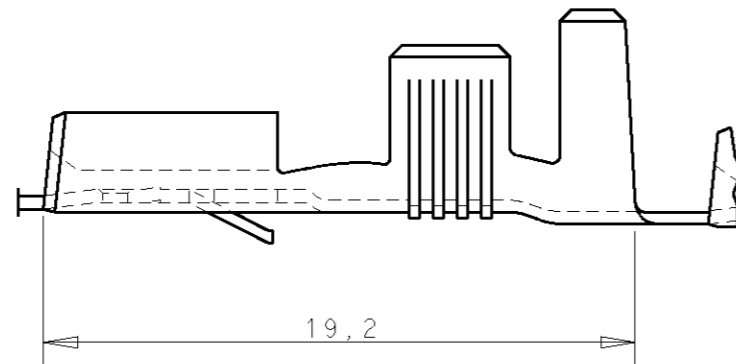
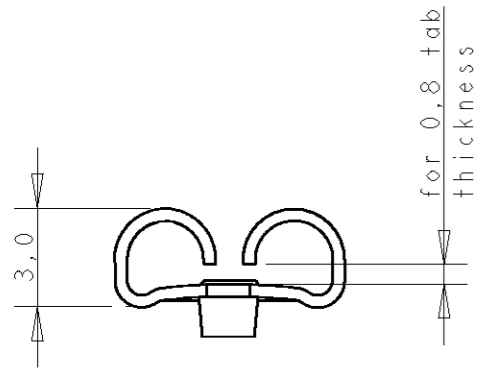
DIMENSIONS IN mm

METRIC

THIRD ANGLE  
PROJECTION

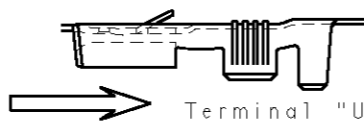


DIMPLE



WIRE RANGE :  
4,0-6,0 mm<sup>2</sup>  
INSULATION RANGE :  
3,4-5,1mm DIA.

DIRECTION OFF TOP OF REEL



Terminal "U" down.

NOTES:

1 PH.BRONZE ACC ASTM B103.

2 OBSOLETE PARTS: OBSOLETE CIS STREAMLINING PER D.RENAUD/D.SINISI

GENERAL TOLERANCES ±0.3

OBSOLETE	NOTES	FINISH	MATERIAL	PARTNUMBER
2	1	PRE-TINPLATED	PH.BRONZE	<del>160811-8</del>
	1	PRE-TINPLATED	BRASS	<del>160811-7</del>
2	1	UNPLATED	PH.BRONZE	160811-8
	1	UNPLATED	BRASS	160811-7
2	1	SILVERPLATED	PH.BRONZE	160811-6
	1	SILVERPLATED	BRASS	160811-5
2	1	TINPLATED	PH.BRONZE	160811-4
	1	UNPLATED	PH.BRONZE	160811-3
	1	TINPLATED	BRASS	160811-2
	1	UNPLATED	BRASS	160811-1

CUSTOMER DRAWING					FOR REFERENCE ONLY WILL NOT BE UPDATED	
G1 ECO-09-025699					© COPYRIGHT 19- BY AMP HOLLAND B.V. ALL INTERNATIONAL RIGHTS RESERVED. AMP PRODUCTS MAY BE COVERED BY U.S. AND FOREIGN AND/OR PATENTS PENDING.	
G ES00-0008-03					THIS DRAWING IS UNPUBLISHED RELEASED FOR PUBLICATION	
F ES00-0065-01					AMP Tyco Electronics AMP Barcelona, Spain	
E ES00-0043-01					NAME 6,3 SRS FASTIN-ON RECEPTACLE	
D EH-0168-94					DWG. No. 160811	
LTR. REVISION RECORD					REV. LTR. G1	
DR.: D.KESSLER			CHK.: P.BEIJNON		SHEET 1 OF 1	
DATE: 21-06-94			DATE: -		A3	
APP.: L.v.SOEST			DATE: -			