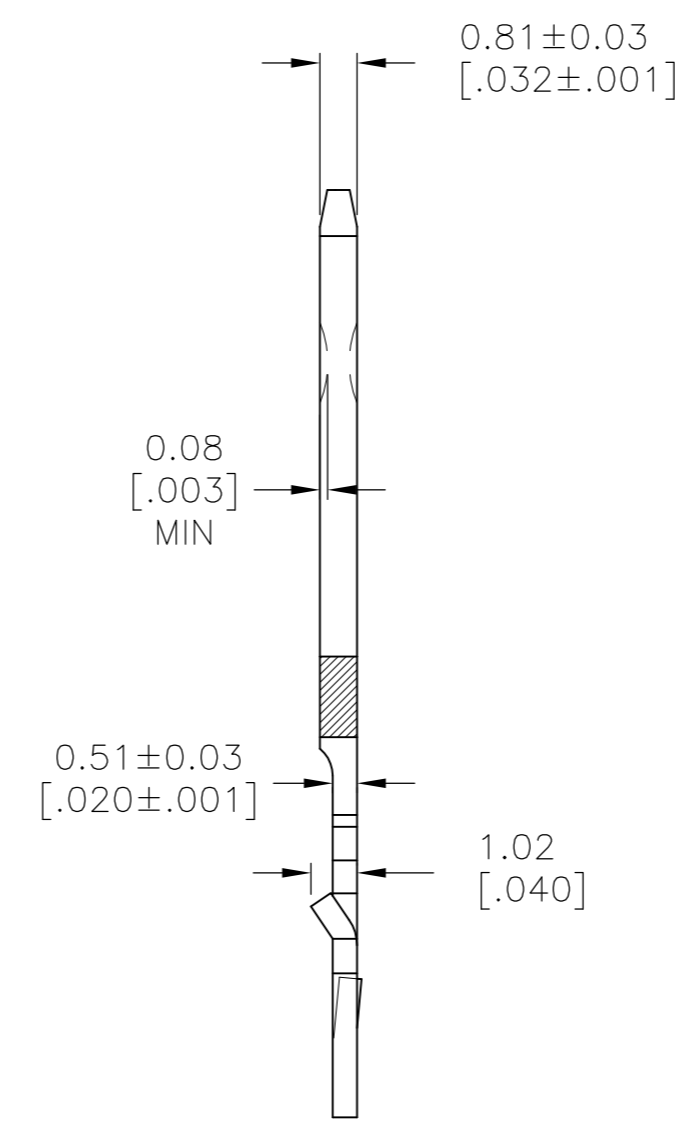
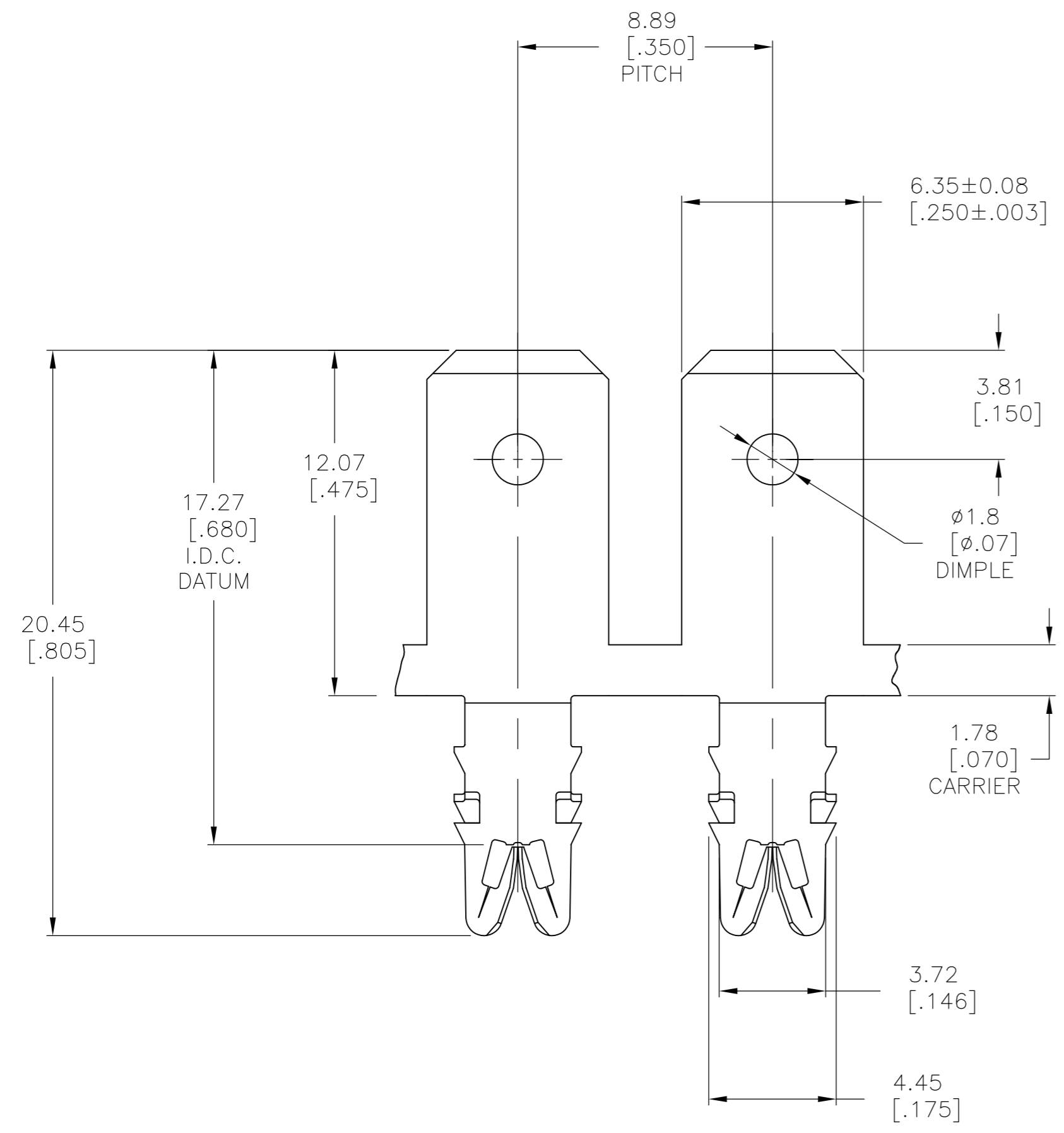
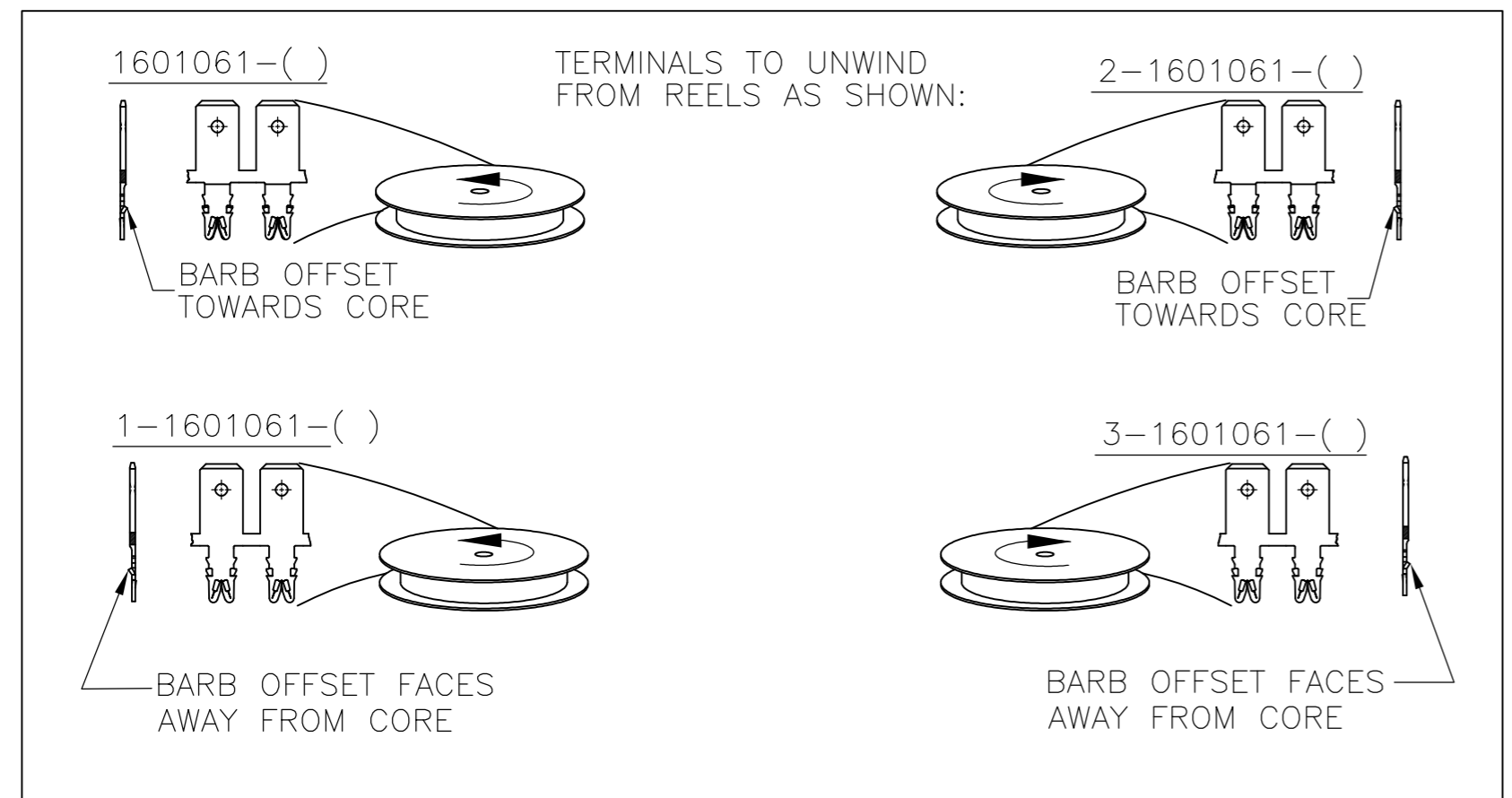
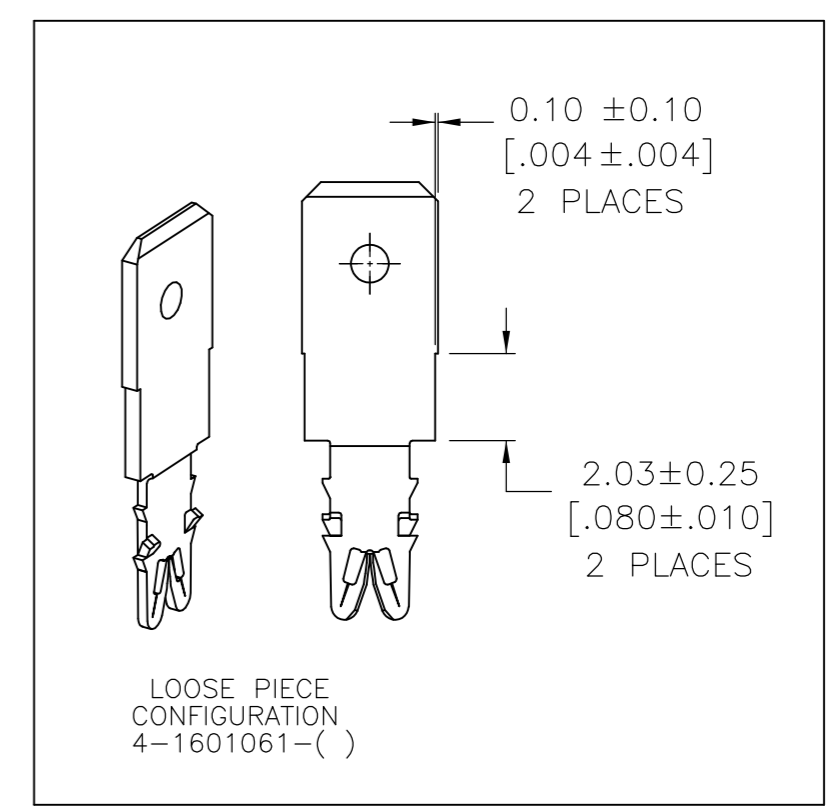


THIS DRAWING IS UNPUBLISHED. RELEASED FOR PUBLICATION
 © COPYRIGHT - By - ALL RIGHTS RESERVED.

LOC		DIST		REVISIONS				
P	LTR	DESCRIPTION			DATE	DWN	APVD	
AF	50	D5		REVISED PER ECR-14-017225	18NOV2014	GRZ	JL	



- SPECIFICATIONS:
MAGNET WIRE #18 - #34 AWG COPPER 1.02mm [.040"]
- 0.16mm [.006"] DIA. OTHER SIZES MAY BE ACCOMODATED,
CONSULT TYCO ELECTRONICS FOR APPROVAL.
- POCKET RECOMMENDATION: 1601425
- TERMINAL APPLICATION TO COMPLY WITH TYCO ELECTRONICS
SPECIFICATION 114-13166 FIGURE 6
- TWO (2) TERMINALS SHOWN FOR ILLUSTRATION PURPOSES ONLY.



FINISH	REFERENCE PART NUMBER	PART NUMBER
PRE TIN PLATE	--	3-1601061-2
PRE TIN PLATE	131-128-002	2-1601061-2
OBsolete UNPLATED	131-128-000	2-1601061-1
PRE TIN PLATE	--	1-1601061-2
PRE TIN PLATE	131-127-002	1601061-2

THIS DRAWING IS A CONTROLLED DOCUMENT.

DIMENSIONS: mm [INCHES]	TOLERANCES UNLESS OTHERWISE SPECIFIED: 0 PLC ± - 1 PLC ± 0.25 [.01] 2 PLC ± 0.13 [.005] 3 PLC ± - 4 PLC ± - ANGLES ± -	DWN J.WELLER 11JAN2002 CHK M.FEHER 11JAN2002 APVD K.RANDOLPH 11JAN2002 PRODUCT SPEC 108-2085 APPLICATION SPEC	NAME TE Connectivity STD. RANGE WIRE TO .250 X .032 MULTI-BARB TAB SIAMEZE TERMINAL
MATERIAL BRASS, 1/2 HARD	FINISH SEE TABLE	WEIGHT -	SIZE A2 CAGE CODE 00779 DRAWING NO. C=1601061 RESTRICTED TO

CUSTOMER DRAWING SCALE 6:1 SHEET 1 of 1 REV D5