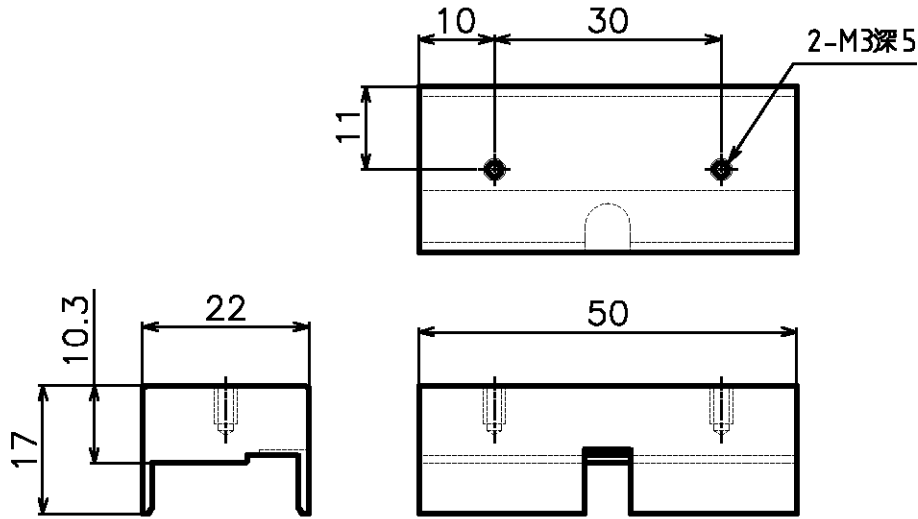


LOC J	DIST —	REVISIONS 変更			
P	LTR	DESCRIPTION	DATE	DWN	APVD
	O	RELEASED FJ00-2111-02	09OCT02	J.S	S.S



NOTES)

1. はじめに (Introduction)

本工具はZ-PACK 2mm HM コネクタを基板に圧入する為の挿入治具です。
 This is an insertion tool designed to insert a Z-PACK 2mm HM connector onto a PC board.

2. 適用製品 (Applicable products)

Z-PACK 2mm HM receptacle connector type A/B
 with upper shield (4 ROW)
 (P/N:1612872-1; 1612872-9; 1-1612872-9)

3. 外形寸法 (Overall dimensions)

50(W)×22(D)×17(H) mm

4. 重量 (Weight)

約 100 g (100 g Approx.)

5. 取扱説明書 (Instruction sheet)

411-78060

THIS DRAWING IS UNPUBLISHED.

ALL RIGHTS RESERVED.

© COPYRIGHT BY TYCO ELECTRONICS CORPORATION.

DIMENSIONS: 単位: 精 MM	DWN J.SEKI	23JUL2002	MATERIAL 材料	—	FINISH 仕上	—
	CHK S.SUZUKI	09OCT02	tyco Electronics Tyco Electronics AMP K.K. Kawasaki, Japan			
TOLERANCES UNLESS OTHERWISE SPECIFIED: 一般公差	APVD H.TANAKA	09OCT02				
0 PLC ± -	PRODUCT SPEC 製品規格	—	NAME 名称 Z-PACK 2mm HMリセ型70°-9.5mm付コネクタ用挿入治具			
1 PLC ± -	APPLICATION SPEC 取付適用規格	—	INS. BLOCK for HM CONN with UPPER SHIELD			
2 PLC ± -	WEIGHT	—	SIZE	CAGE CODE	DRAWING NO 番号	RESTRICTED TO
3 PLC ± -			A4	00779	1596463-1	—
4 PLC ± -			CUSTOMER DRAWING			
ANGLES ± -			SCALE 尺度	1:1	SHEET 1 OF 1	REV 0

