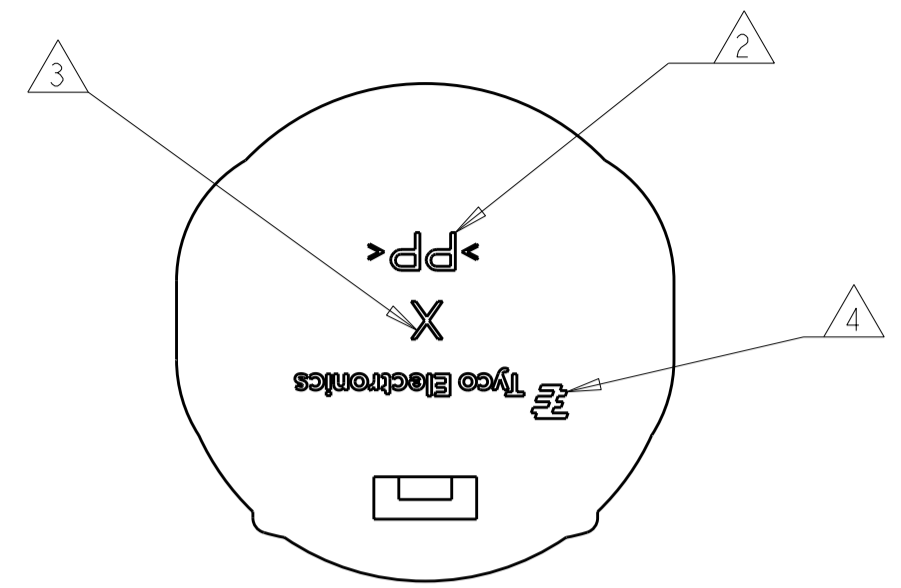
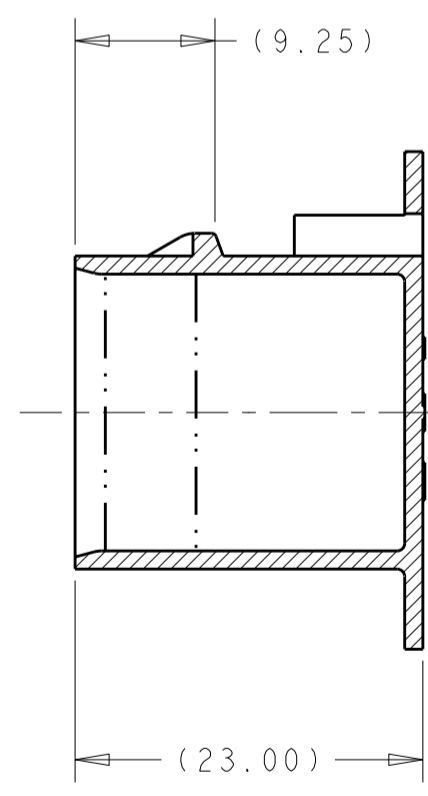
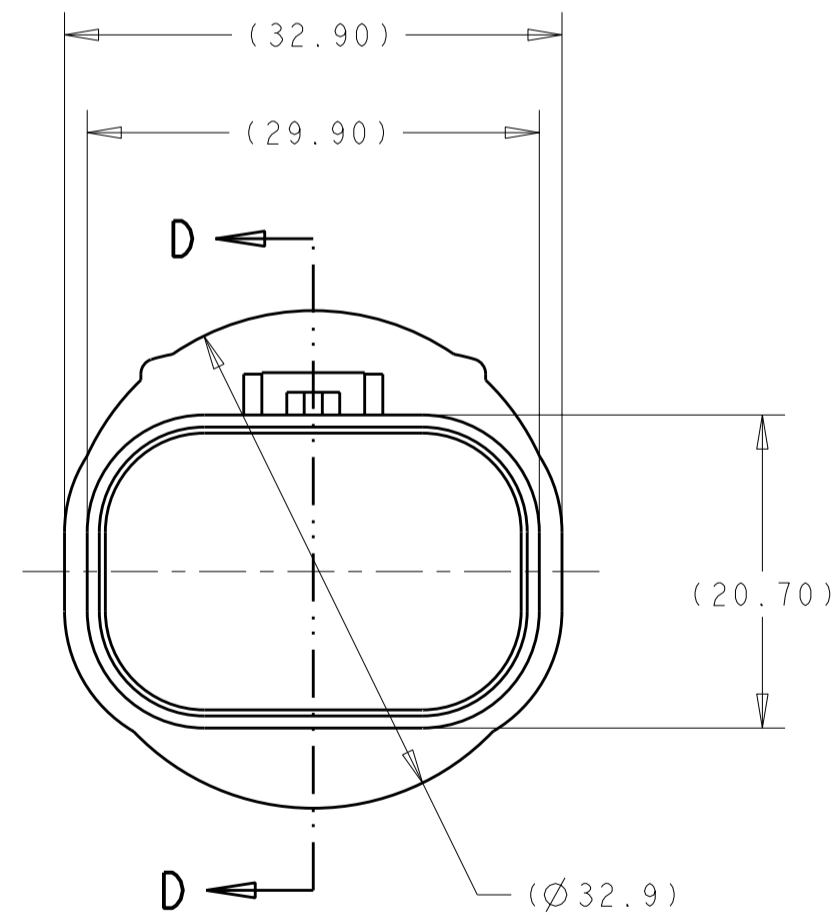
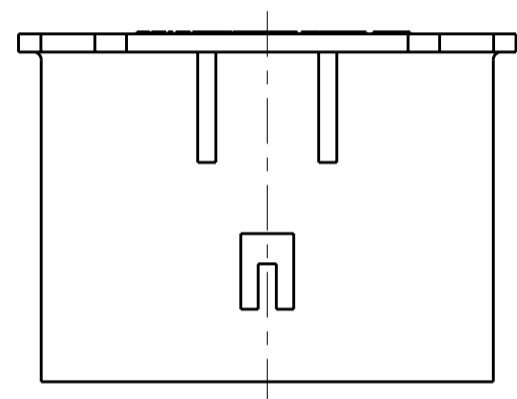


THIS DRAWING IS UNPUBLISHED. RELEASED FOR PUBLICATION 20
 © COPYRIGHT 20 BY TYCO ELECTRONICS CORPORATION. ALL RIGHTS RESERVED.

LOC	DIST	REVISIONS			
P	LTR	DESCRIPTION	DATE	DWN	APVD
	A	RELEASED FOR PRODUCTION PER ECO-09-024741	09NOV2009	DS	AT
	B	ECO-09-027905	16DEC2009	DS	AT



SCALE 1:1



SECTION D-D

- ① MATERIAL:
TYPE: POLYPROPYLENE UNFILLED
COLOR: NATURAL
- ② RECYCLE CODE ">PP<"
- ③ MOLD CAVITY I.D.
- ④ TYCO ELECTRONICS TRADE MARK

1587732-1
PART NO

THIS DRAWING IS A CONTROLLED DOCUMENT FOR TYCO ELECTRONICS CORPORATION IT IS SUBJECT TO CHANGE AND THE CONTROLLING ENGINEERING ORGANIZATION SHOULD BE CONTACTED FOR THE LATEST REVISION.		DWN D. SIMPSON 02JUN2008	Tyco Electronics Harrisburg, PA 17105-3608	
DIMENSIONS: mm		CHK A TYLER 02JUN2008	NAME SHIPPING CAP, PLUG, HVA280-3PM	
TOLERANCES UNLESS OTHERWISE SPECIFIED:		APVD -	PRODUCT SPEC -	RESTRICTED TO -
0 PLC ±-		APPLICATION SPEC -	WEIGHT -	SIZE A200779
1 PLC ±0.15		SCALE 2:1	DRAWING NO C-1587732	SHEET 1
2 PLC ±0.1		CUSTOMER DRAWING	REV B	OF 1
3 PLC ±0.05				
4 PLC ±				
ANGLES ±°				
FINISH				