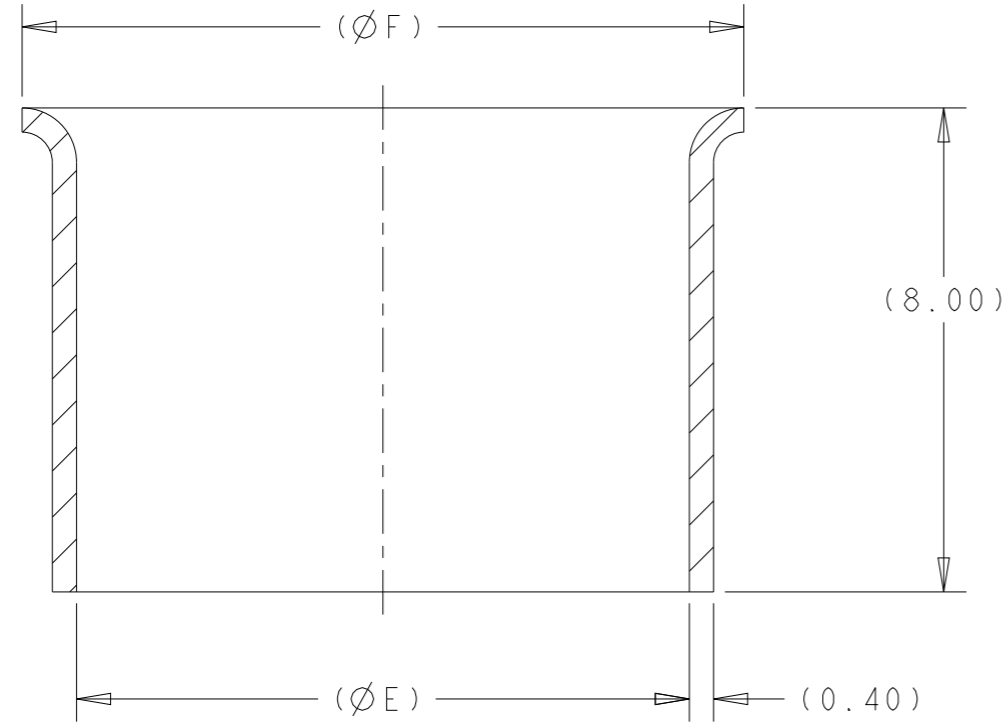
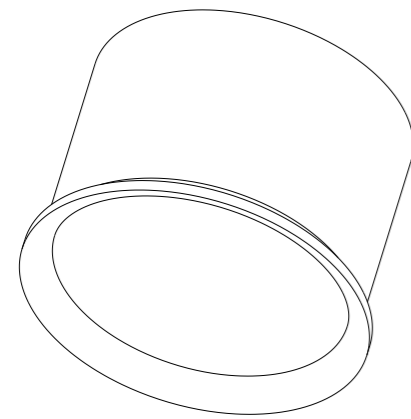


P	LTR	DESCRIPTION	DATE	DWN	APVD
A1		ECO-10-022743	05NOV2010	DR	DR
A2		ECO-11-024207	02DEC2011	DR	DR
A3		ECO-13-012771	08AUG2013	DR	DR
A4		ECR-22-148725	11AUG2022	SM	SS




SECTION A - A

- 1 MATERIAL 1:  
TYPE: COPPER ALLOY
- 2 MATERIAL 2:  
TYPE: ALTERNATE COPPER ALLOY, NO ANNEALING
- 3 FINISH:  
UNDERPLATE TYPE: NICKEL  
TOP PLATE TYPE: TIN
- 4 FINISH: BARE
- 5. PARTS MUST BE FREE OF EXCESSIVE BURRS, CRACKS, OR OTHER VISUAL IMPERFECTIONS THAT MAY AFFECT FIT FORM OR FUNCTION



SCALE 4:1

2	4	13.93	12.13	1.26g	A	1-1587724-3
1	3	13.93	12.13	1.26g	A	1587724-3
2	4	12.93	11.13	1.15g	A	1-1587724-2
1	3	12.93	11.13	1.15g	A	1587724-2
2	4	11.93	10.13	1.00g	A	1-1587724-1
1	3	11.93	10.13	1.00g	A	1587724-1
MATERIAL	FINISH	F	E	WEIGHT	REV	PART NO

THIS DRAWING IS A CONTROLLED DOCUMENT.		DWN D SIMPSON 02JUN2008	 TE Connectivity NAME OUTER FERRULE HVA280 MULTI-CORE -					
DIMENSIONS: mm		CHK A TYLER 02JUN2008						
TOLERANCES UNLESS OTHERWISE SPECIFIED:		APVD J. BOLEWITZ 02JUN2008						
0 PLC ± 1 PLC ±0.15 2 PLC ±0.10 3 PLC ± 4 PLC ± ANGLES ±1°		PRODUCT SPEC						
MATERIAL SEE TABLE		FINISH SEE TABLE	APPLICATION SPEC	WEIGHT SEE TABLE	SIZE A3	CAGE CODE 00779	DRAWING NO C-1587724	RESTRICTED TO -
CUSTOMER DRAWING				SCALE 8:1	SHEET 1 OF 1	REV A4		