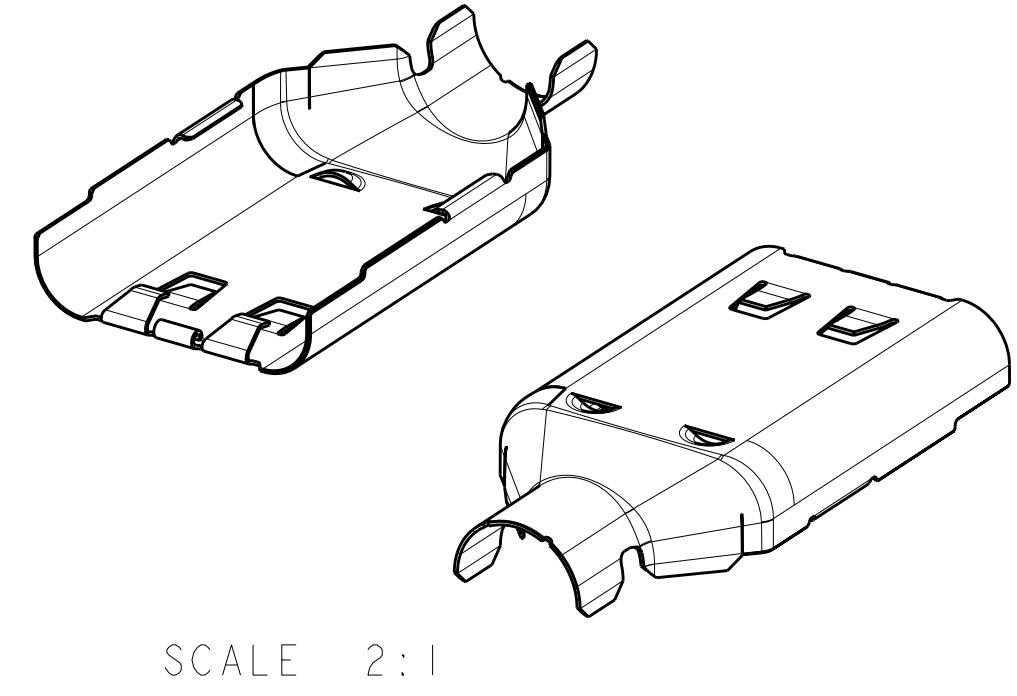
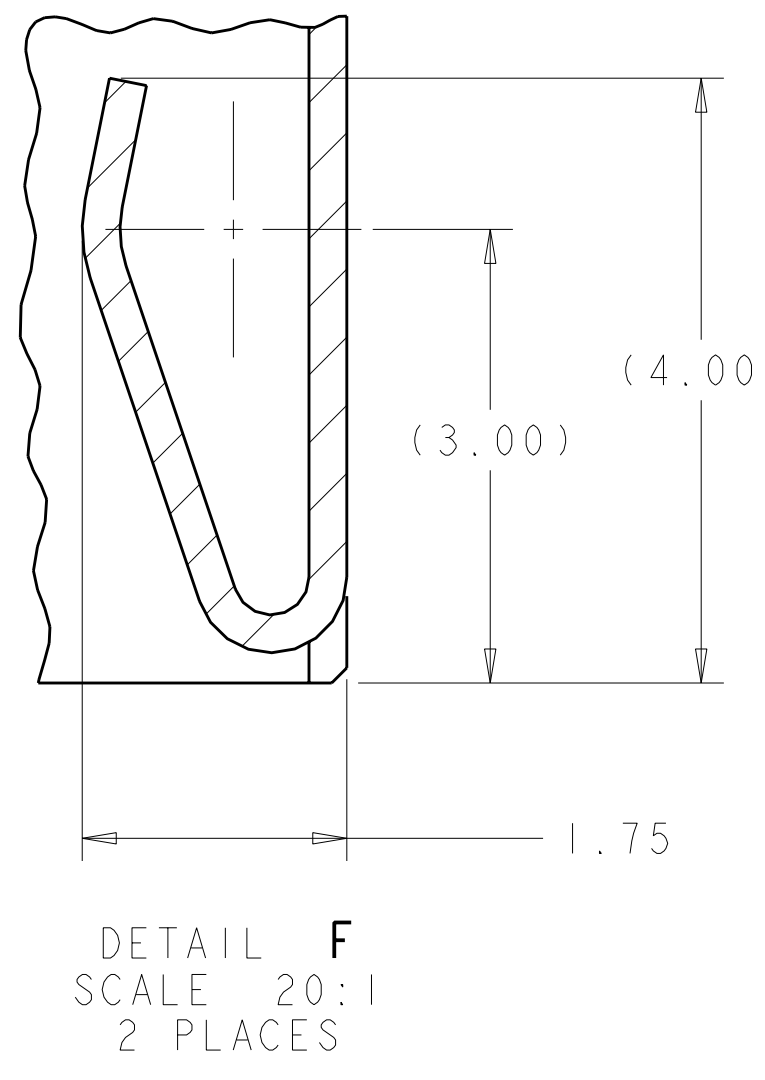
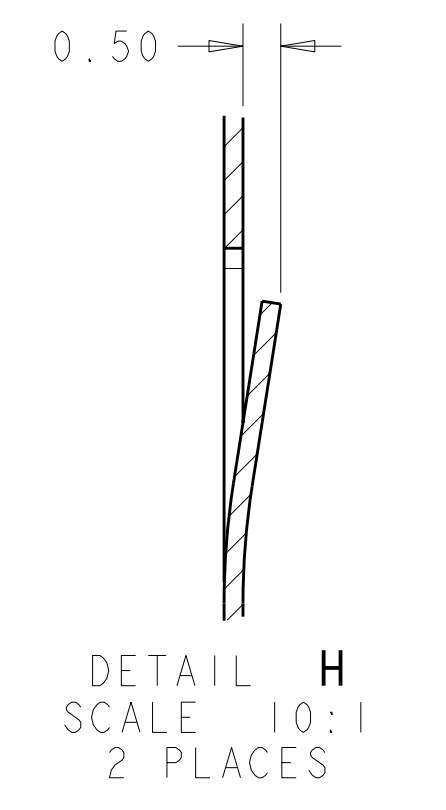
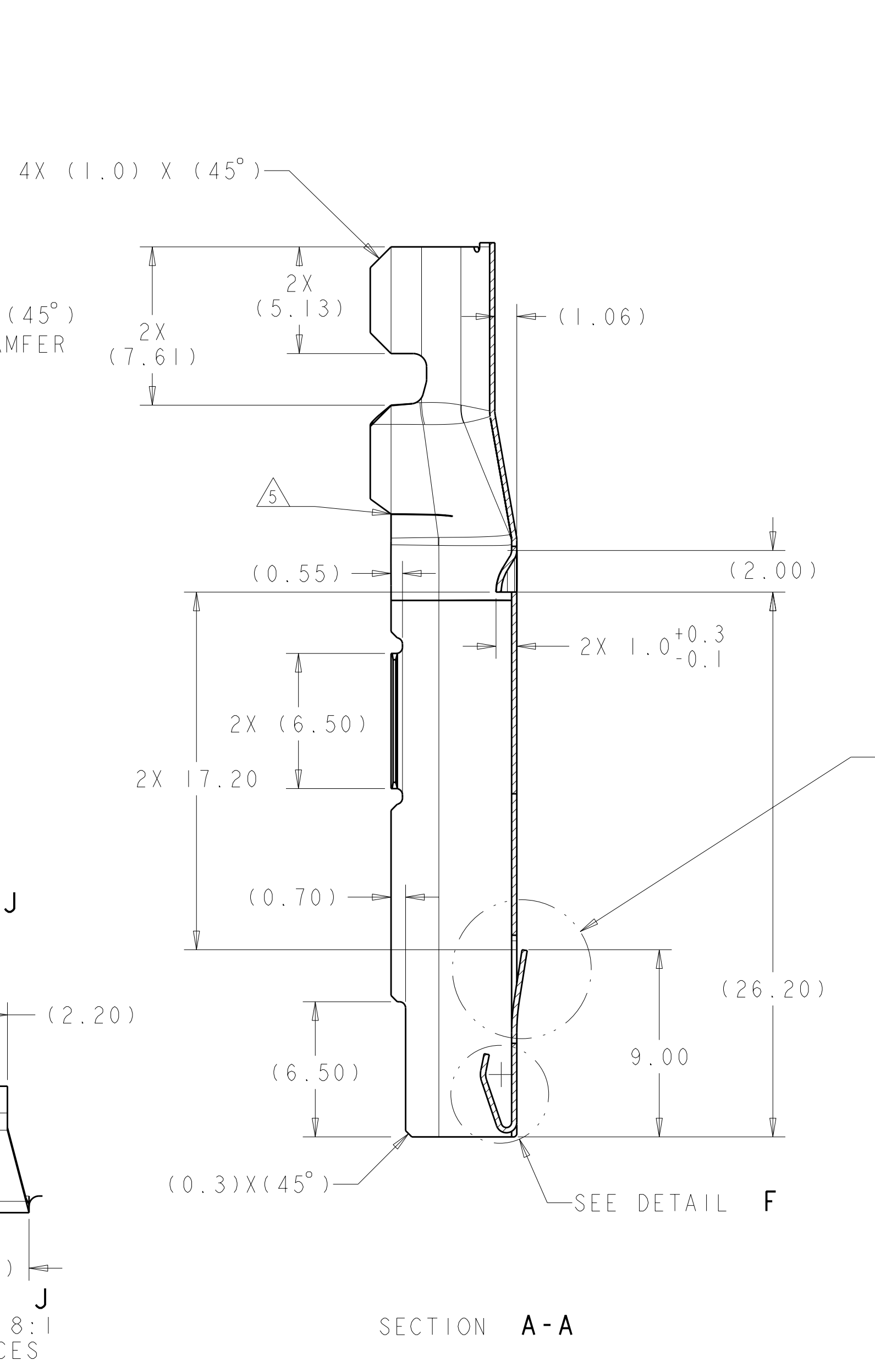
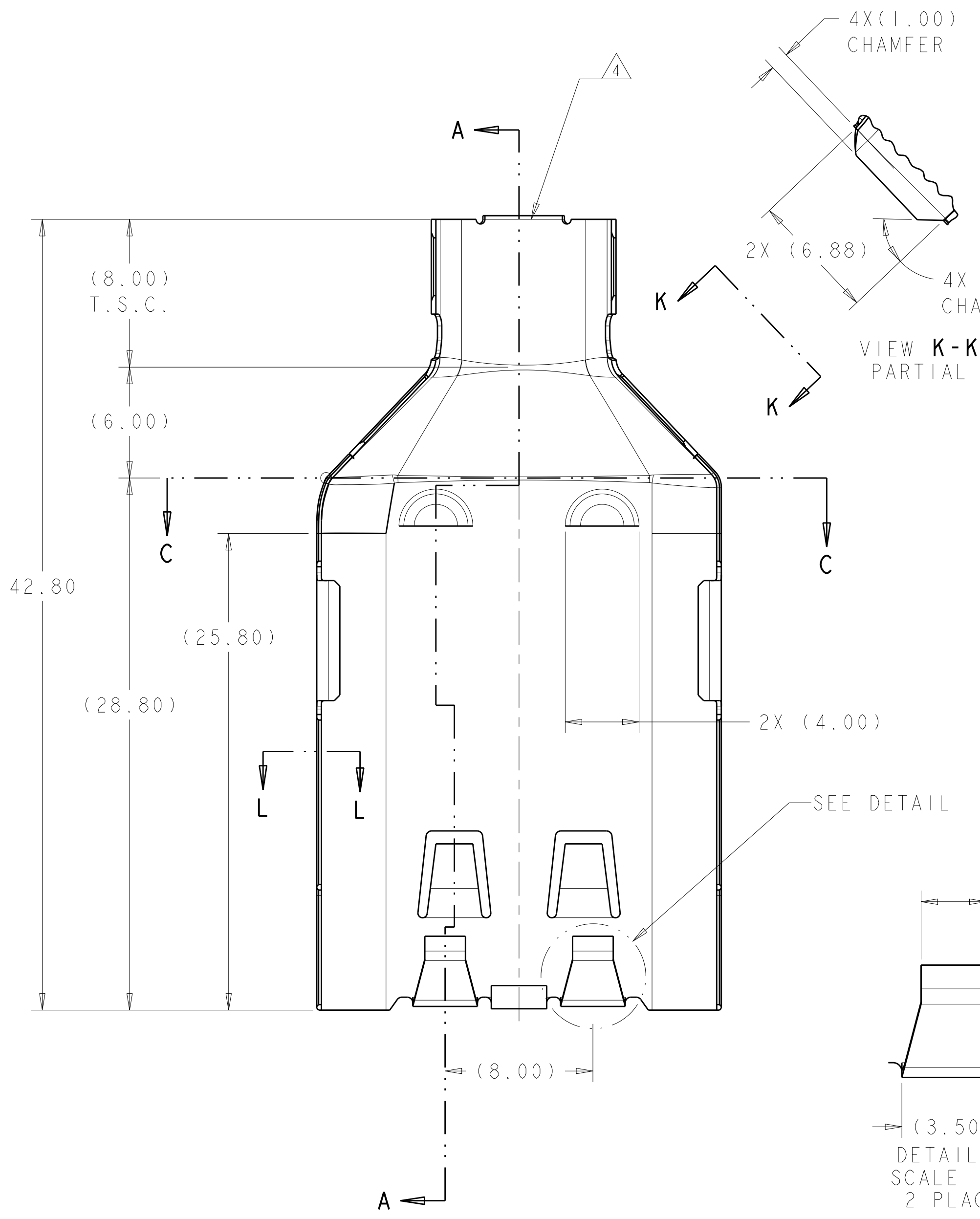
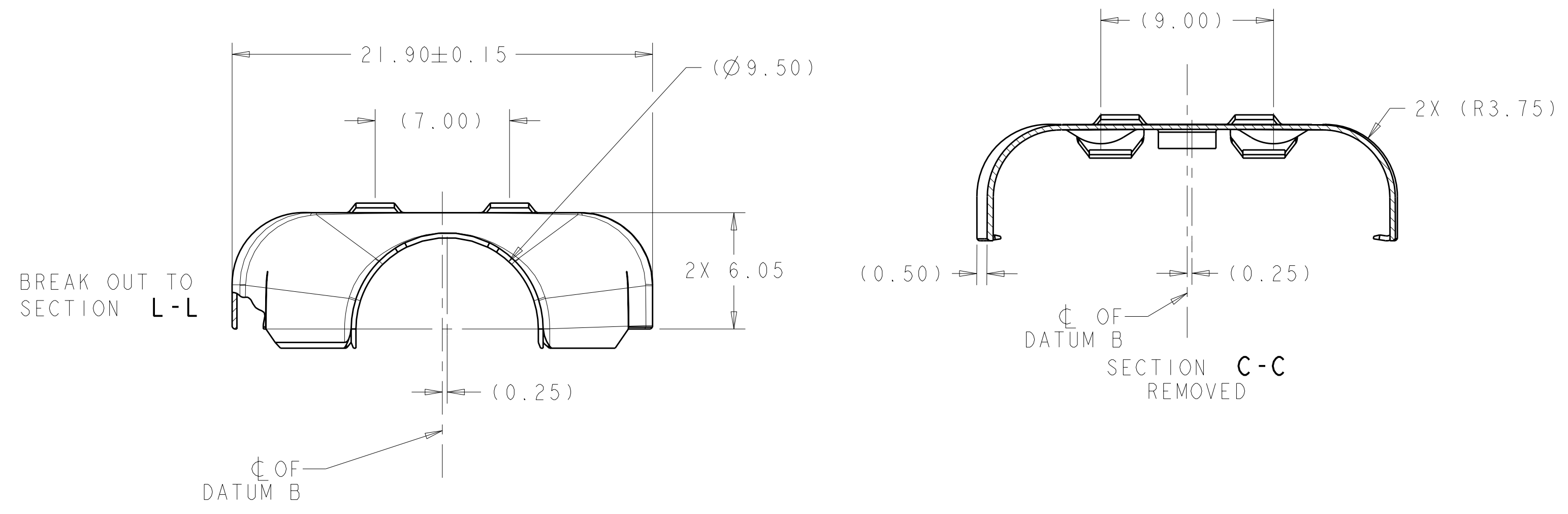


LOC	DIST	REVISIONS			
REV	DATE	DESCRIPTION	DATE	DWN	APVD
A	08OCT2009	ECO-09-022337	08OCT2009	DS	AT



- SCALE 2:1
- MATERIAL TYPE: TIN PLATED COPPER ALLOY
 - PART MUST BE FREE OF EXCESSIVE BURRS, CRACKS, OR OTHER VISUAL IMPERFECTIONS THAT MAY AFFECT FIT OR FUNCTION
 - FEATURES DENOTED BY REFERENCE DIMENSIONS MUST BE CHECKED FOR PRESENCE
 - 0.20 MAX CUT OFF TAB LENGTH
 - 2X BUTTED SEAM IN THIS AREA. NO GAP ALLOWED.

AMP 4805 REV 31MAR2000		Pro/ENGINEER DRAWING		1587718-1 PART NO	
DIMENSIONS: mm TOLERANCES UNLESS OTHERWISE SPECIFIED: 9 PLC ±0.15 2 PLC ±0.10 5 PLC ±0.05 4 PLC ±0.05 ANGLES ±1° MATERIAL: FINISH:		DWN: S. VINAY 06MAR2008 CHK: A TYLER 09MAY2008 APVD: J. ROLEWITZ 08OCT2009 PRODUCT SPEC: - APPLICATION SPEC: - WEIGHT: - CUSTOMER DRAWING		Tyco Electronics Harrisburg, PA 17105-3608 NAME: SHIELD, PLUG, HVA280-3PM SIZE: A 00779 C=1587718 SCALE: 4:1 SHEET 1 OF 1 REV A	