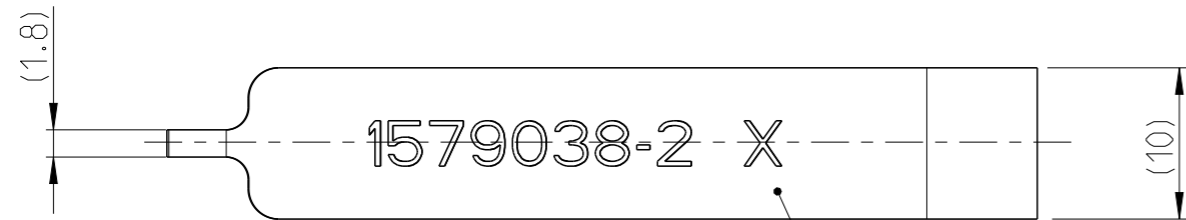
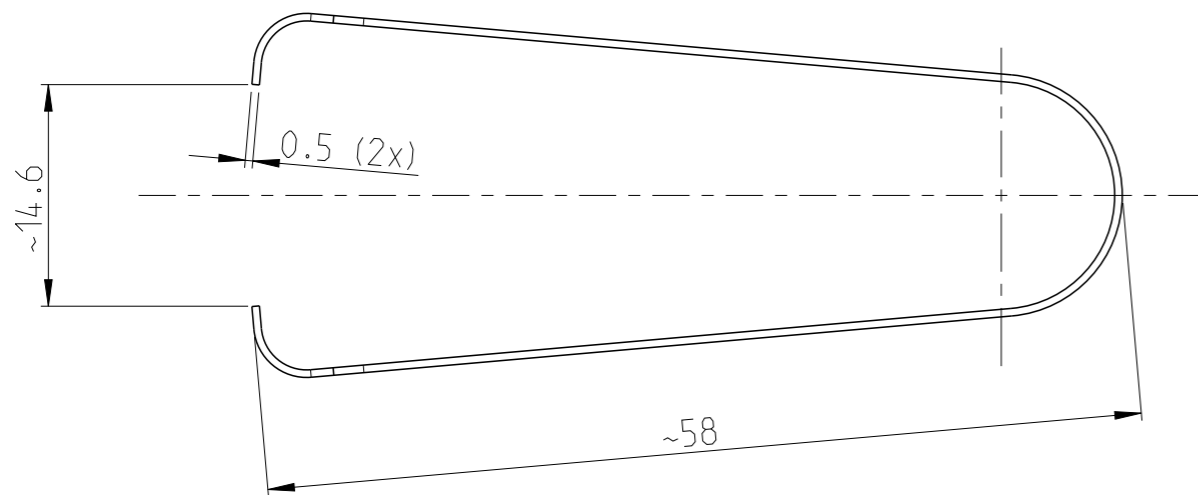
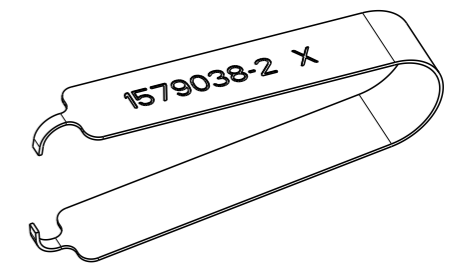


P	LTR	DESCRIPTION	DATE	DWN	APVD
	A	Initial Release	23JUN2020	BM	GS



CURRENT REVISION
Aktuelle Revision


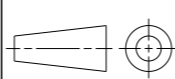
1:1



APPLICATION RANGE / Anwendungsbereich:

CONNECTOR P/N 1982299-4

TERMINAL P/N 927837

THIS DRAWING IS A CONTROLLED DOCUMENT.		DWN B.Muth 23JUN2020	 TE Connectivity	
DIMENSIONS: mm		CHK R.Germann 23JUN2020		
		APVD G.Stegmayer 23JUN2020		
TOLERANCES UNLESS OTHERWISE SPECIFIED:		PRODUCT SPEC	NAME EXTRACTION TOOL	
0 PLC ±		-	-	
1 PLC ±		APPLICATION SPEC	-	
2 PLC ±		-	SIZE	RESTRICTED TO
3 PLC ±		WEIGHT	A3	-
4 PLC ±		0.004 kg	CAGE CODE	00779
ANGLES ±		CUSTOMER DRAWING	DRAWING NO	©=1579038-2
FINISH		SCALE	2:1	SHEET 1 OF 1
-		REV	A	