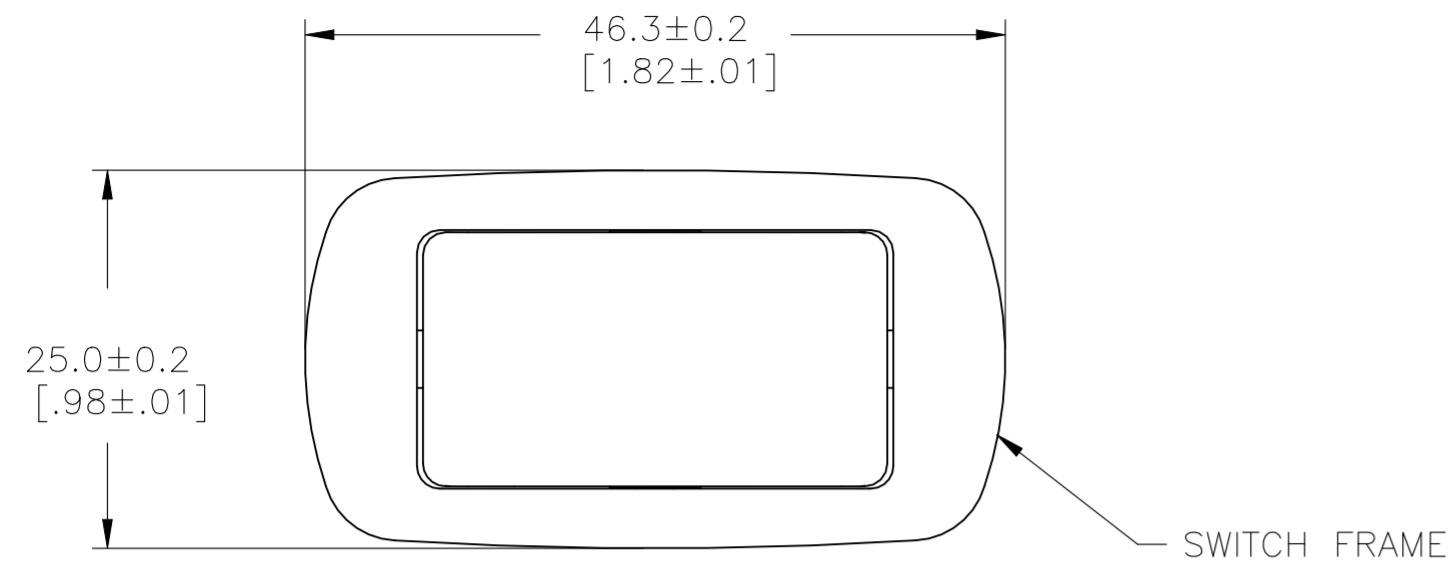
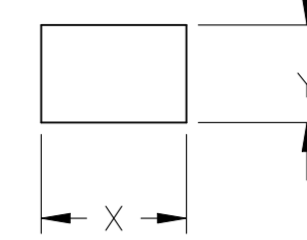


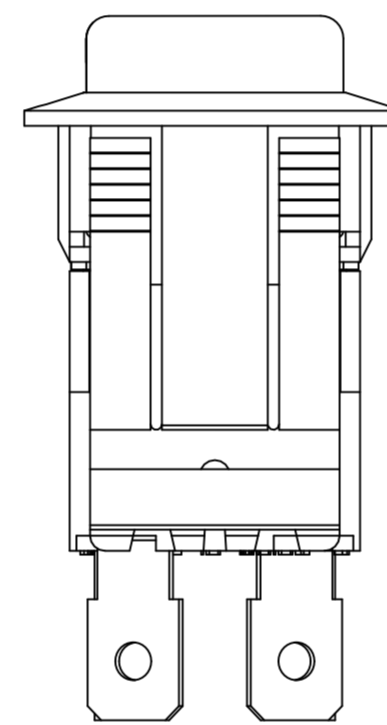
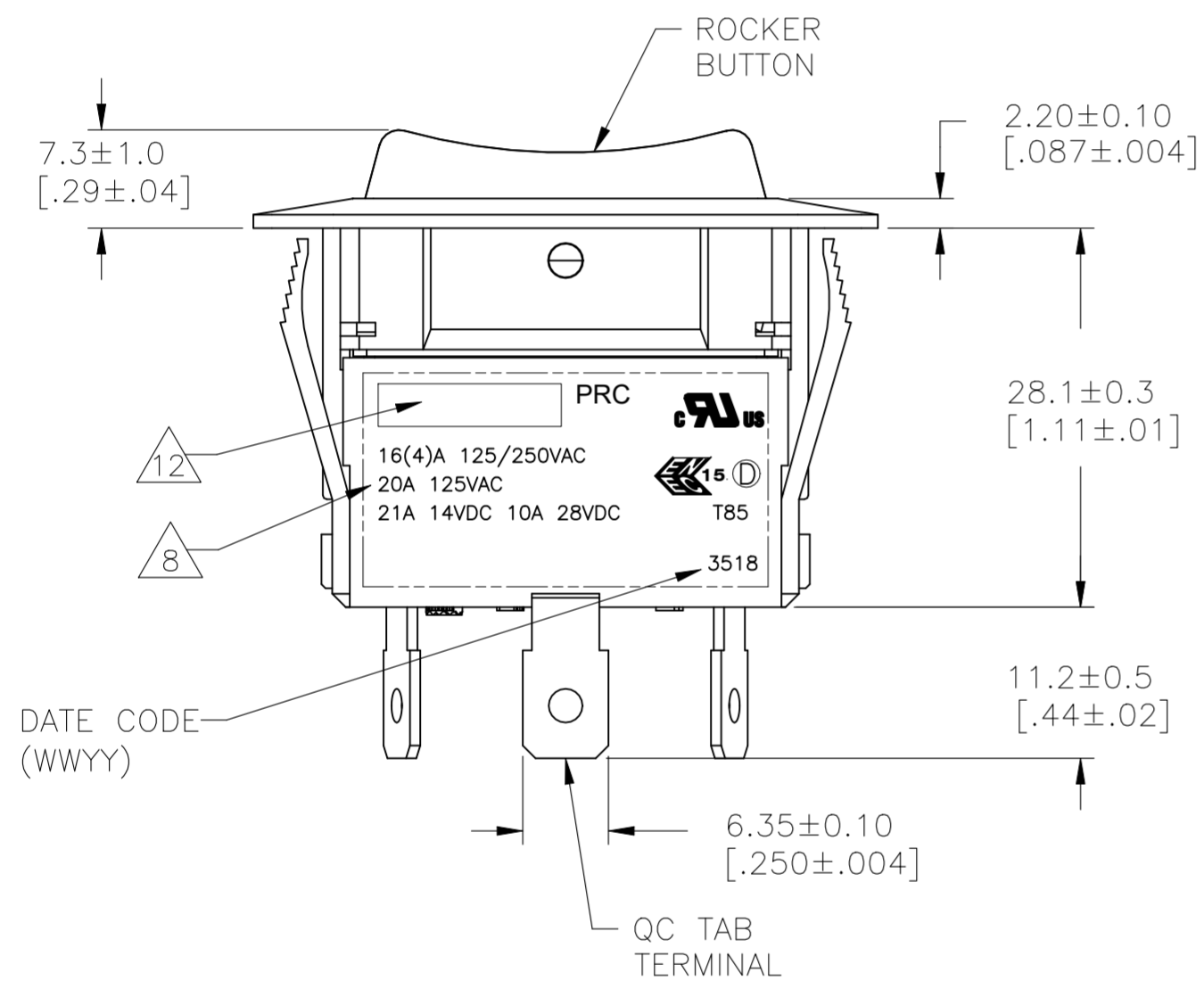
| REVISIONS | | | | | |
|-----------|-----|---------------------------|-----------|-----|------|
| P | LTR | DESCRIPTION | DATE | DWN | APVD |
| E | | REVISED PER ECR-22-156402 | 13NOV2023 | SA | DM |



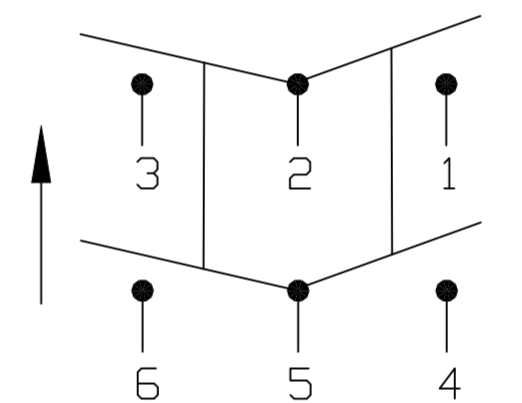
PANEL CUT OUT



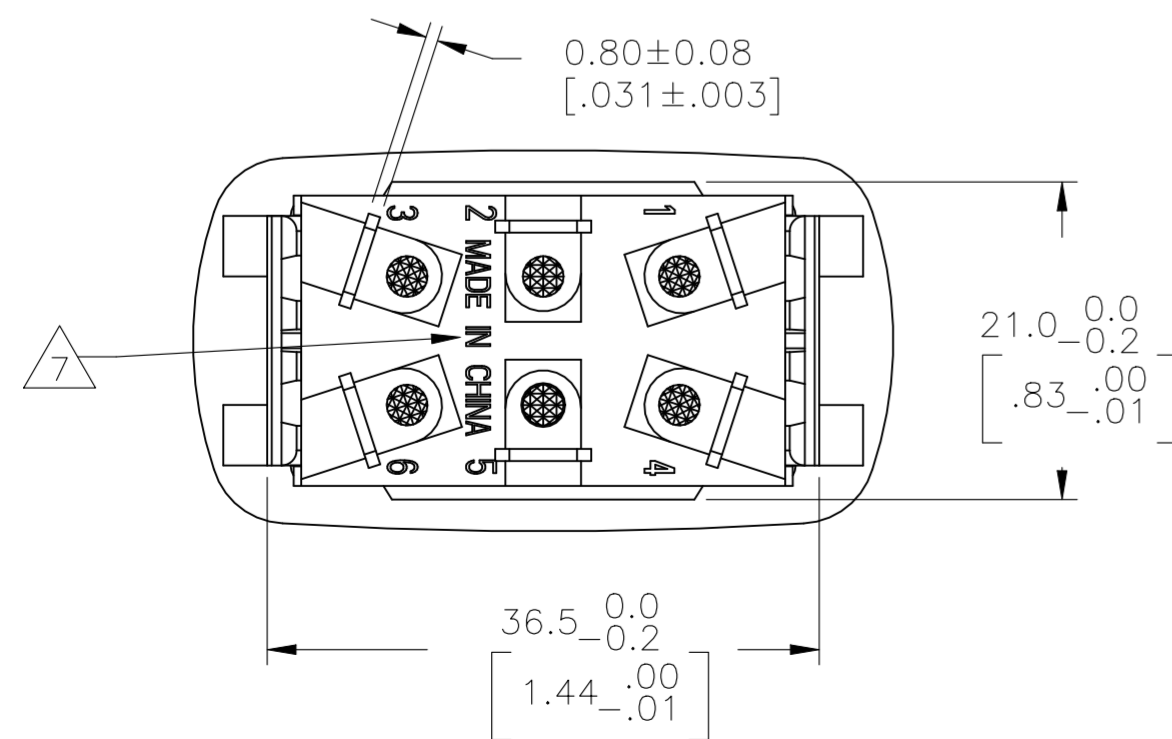
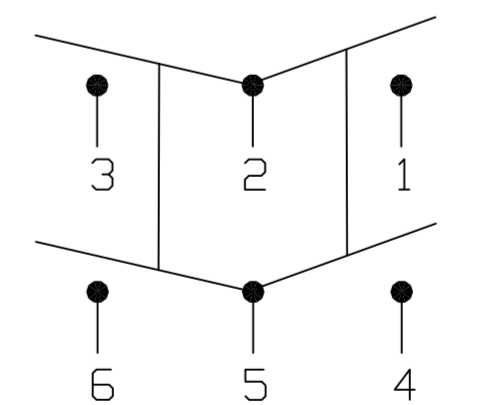
| | | |
|-----------------------|----------------------|-----------------------|
| 2.00-3.00 [.079-.118] | 21.2+0.1 [.835+.004] | 37.0+0.2 [1.457+.008] |
| 1.25-2.00 [.049-.079] | 21.2+0.1 [.835+.004] | 36.8+0.2 [1.449+.008] |
| .075-1.25 [.030-.049] | 21.2+0.1 [.835+.004] | 36.6+0.2 [1.441+.008] |
| PANEL THICKNESS | Y | X |



SWITCH FUNCTION D5
CIRCUIT DIAGRAM



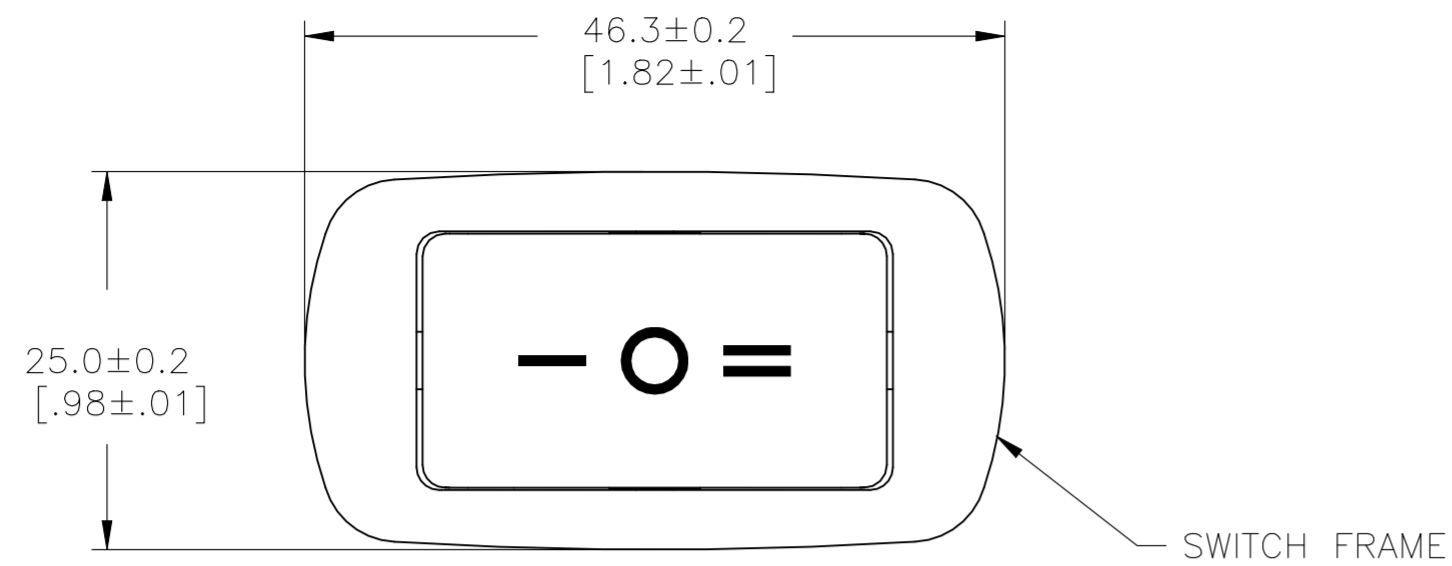
SWITCH FUNCTION D4
CIRCUIT DIAGRAM



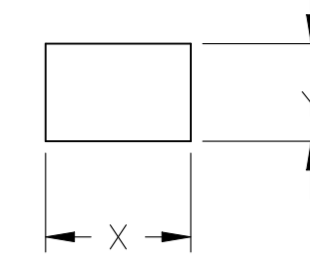
OBSOLETE 1571099-7
SHOWN

| | | | | |
|---|--|------------------------------|---|-------------------------|
| THIS DRAWING IS A CONTROLLED DOCUMENT. | | DWN M.BINNER 25FEB2002 | | |
| DIMENSIONS: mm [INCHES] | | CHK D.ROHDE 16NOV05 | | |
| TOLERANCES UNLESS OTHERWISE SPECIFIED: | | APVD D.ROHDE 16NOV05 | NAME POWER ROCKER SWITCH 21.2mmX36.6mm MIN PANEL SIZE DPDT, NON-ILLUMINATED | |
| 0 PLC ± - 1 PLC ± - 2 PLC ± - 3 PLC ± - 4 PLC ± - ANGLES ± - | | PRODUCT SPEC - | SIZE A2 | |
| MATERIAL 1 | | APPLICATION SPEC - | CAGE CODE 00779 | DRAWING NO C=1571099 |
| FINISH 2 | | WEIGHT | RESTRICTED TO - | SCALE 2:1 |
| CUSTOMER DRAWING | | | SHEET 1 of 4 | REV E |

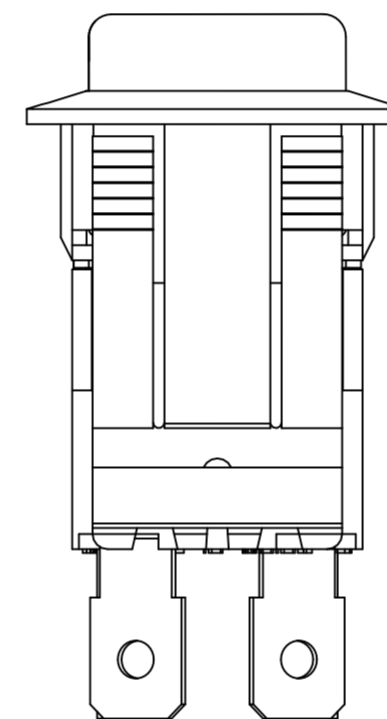
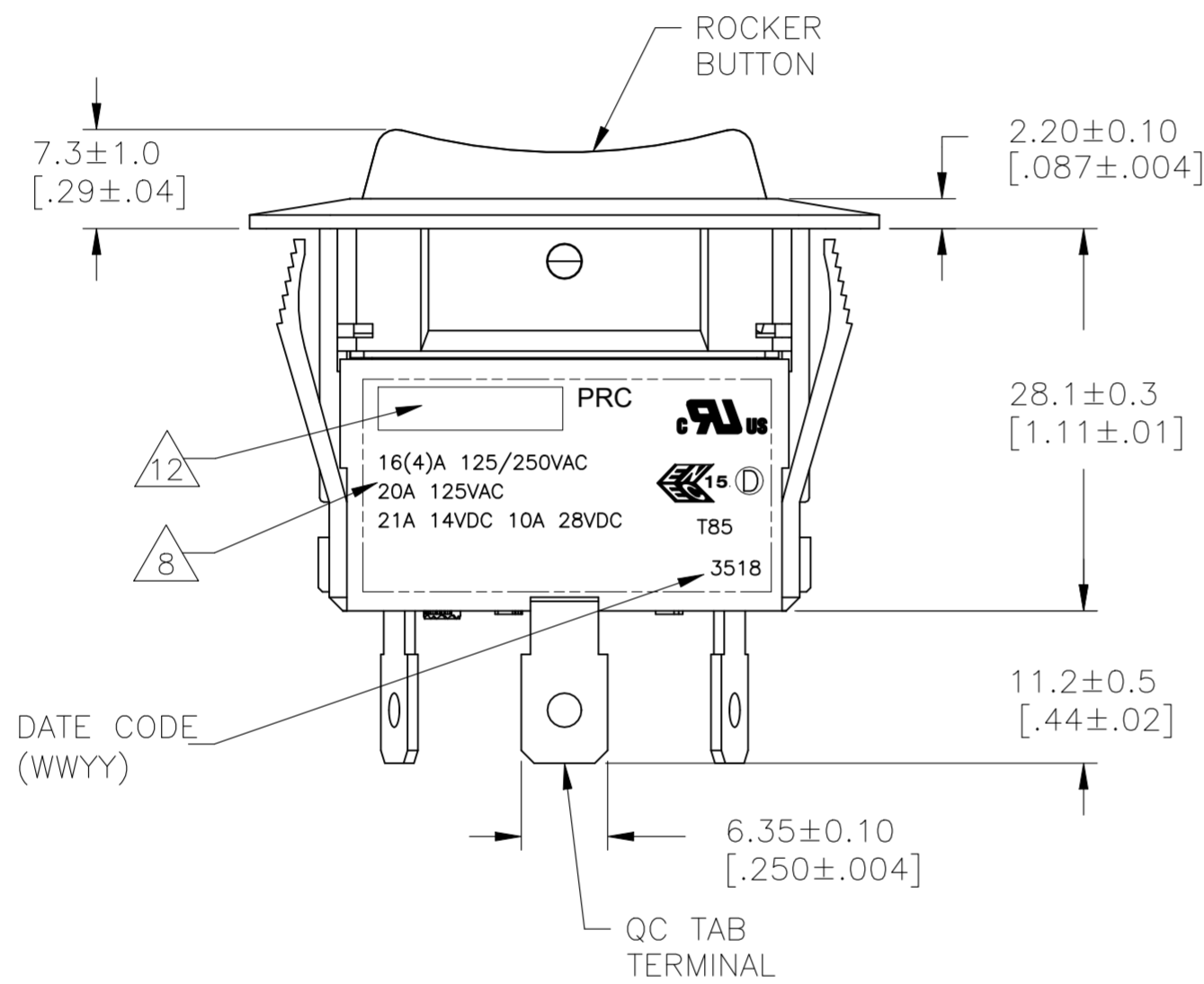
| REVISIONS | | | | | |
|-----------|-----|-------------|------|-----|------|
| P | LTR | DESCRIPTION | DATE | DWN | APVD |
| - | - | SEE SHEET 1 | - | - | - |



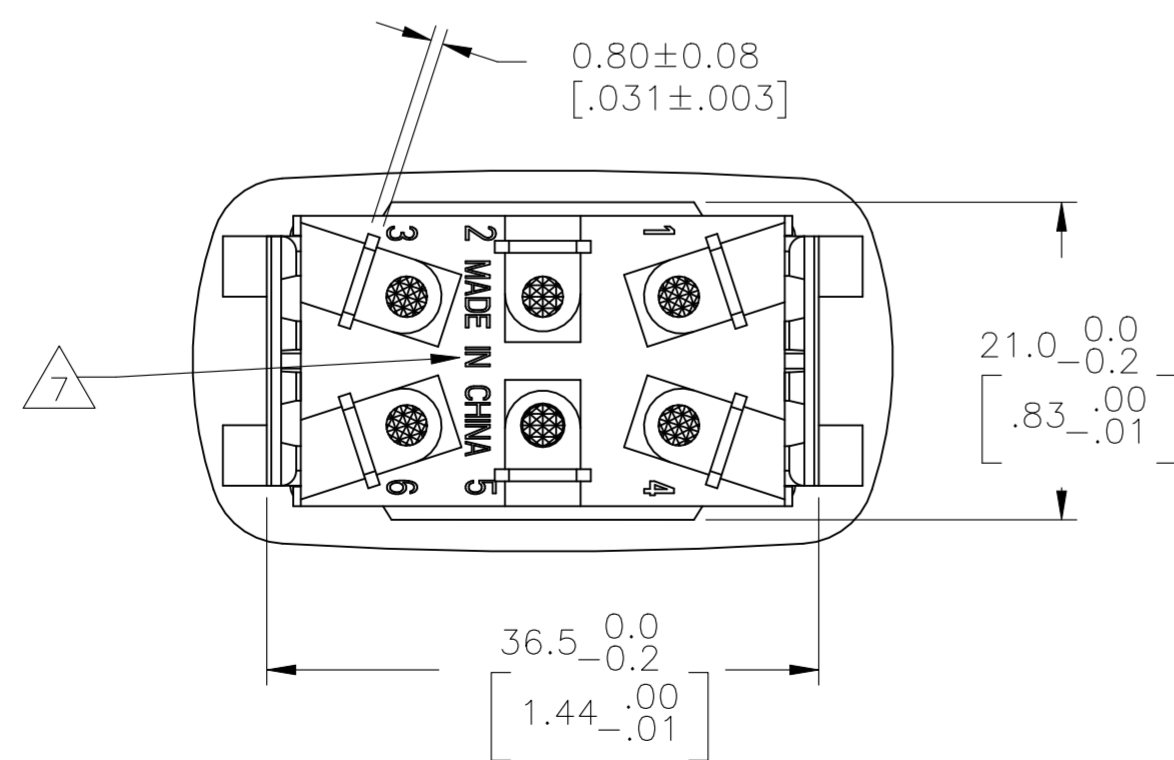
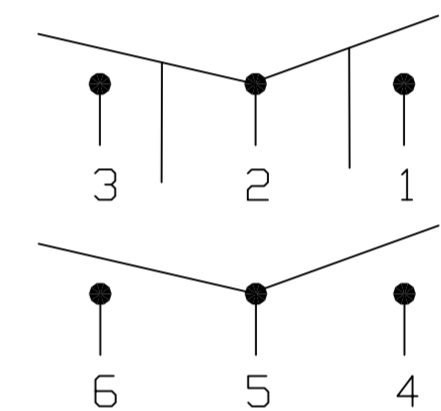
PANEL CUT OUT



| | | |
|-----------------------|----------------------|-----------------------|
| 2.00-3.00 [.079-.118] | 21.2+0.1 [.835+.004] | 37.0+0.2 [1.457+.008] |
| 1.25-2.00 [.049-.079] | 21.2+0.1 [.835+.004] | 36.8+0.2 [1.449+.008] |
| .075-1.25 [.030-.049] | 21.2+0.1 [.835+.004] | 36.6+0.2 [1.441+.008] |
| PANEL THICKNESS | Y | X |



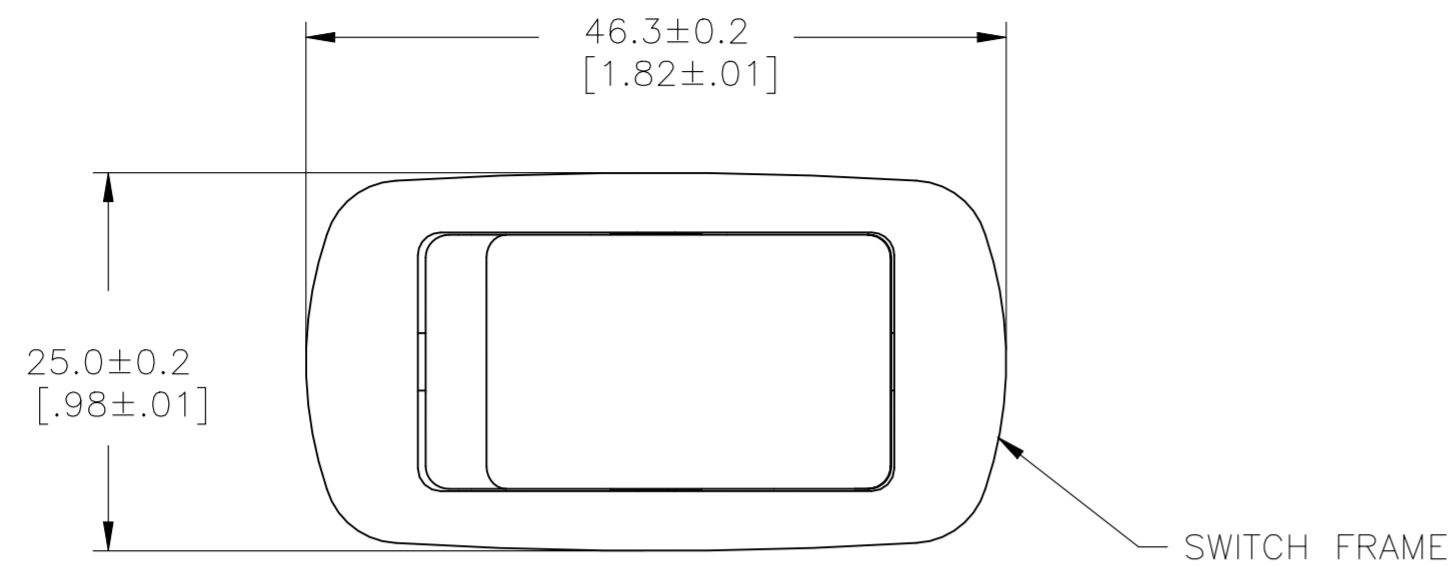
SWITCH FUNCTION D3
CIRCUIT DIAGRAM



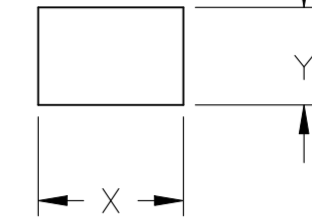
OBSOLETE 1571099-5
SHOWN

| | | | | |
|--|--|------------------------------|---|--|
| THIS DRAWING IS A CONTROLLED DOCUMENT. | | DWN M.BINNER 25FEB2002 | | |
| DIMENSIONS: mm [INCHES] | | CHK D.ROHDE 16NOV05 | | |
| TOLERANCES UNLESS OTHERWISE SPECIFIED: | | APVD D.ROHDE 16NOV05 | NAME POWER ROCKER SWITCH 21.2mmX36.6mm MIN PANEL SIZE DPDT, NON-ILLUMINATED | |
| 0 PLC ± - | | PRODUCT SPEC | SIZE A2 | |
| 1 PLC ± - | | APPLICATION SPEC | CAGE CODE 00779 | |
| 2 PLC ± - | | WEIGHT | DRAWING NO C=1571099 | |
| 3 PLC ± - | | FINISH | RESTRICTED TO | |
| 4 PLC ± - | | SCALE 2:1 | SHEET 2 of 4 | |
| ANGLES ± - | | CUSTOMER DRAWING | REV E | |
| MATERIAL | | | | |

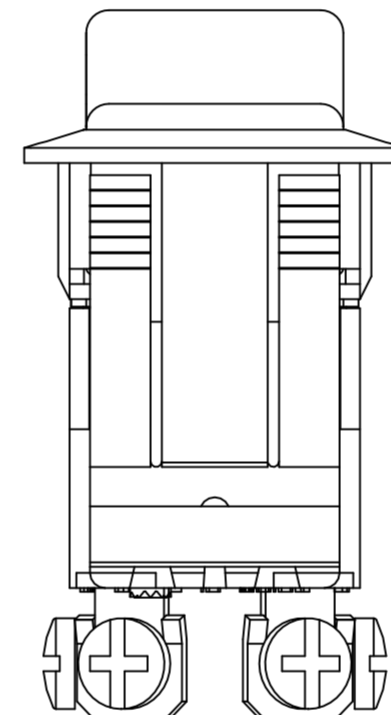
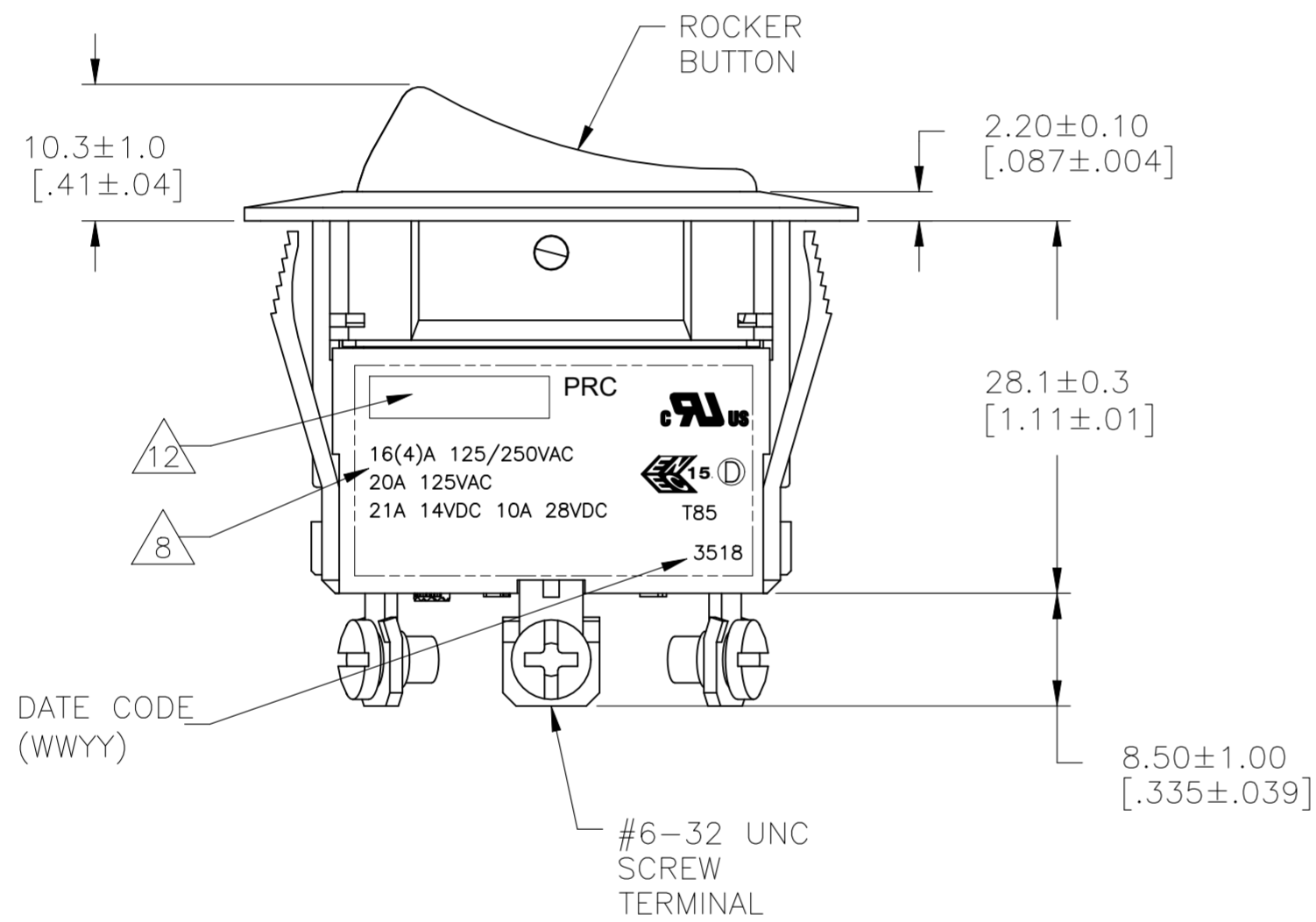
| REVISIONS | | | | | |
|-----------|-----|-------------|------|-----|------|
| P | LTR | DESCRIPTION | DATE | DWN | APVD |
| - | - | SEE SHEET 1 | - | - | - |



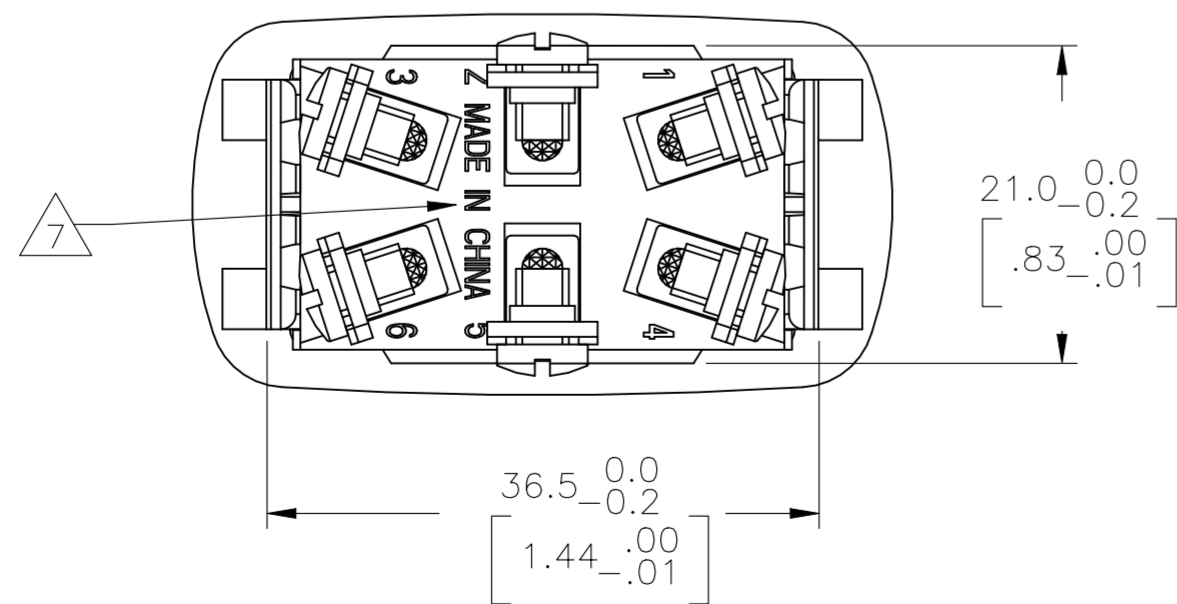
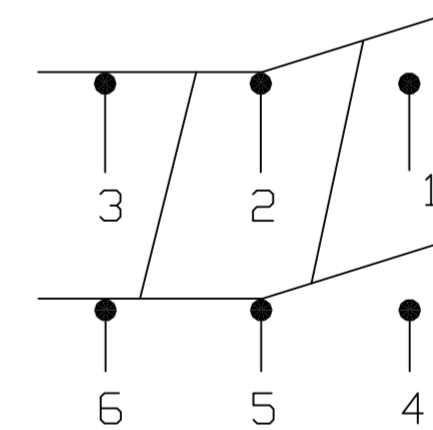
PANEL CUT OUT



| | | |
|-----------------------|----------------------|-----------------------|
| 2.00-3.00 [.079-.118] | 21.2+0.1 [.835+.004] | 37.0+0.2 [1.457+.008] |
| 1.25-2.00 [.049-.079] | 21.2+0.1 [.835+.004] | 36.8+0.2 [1.449+.008] |
| .075-1.25 [.030-.049] | 21.2+0.1 [.835+.004] | 36.6+0.2 [1.441+.008] |
| PANEL THICKNESS | Y | X |



SWITCH FUNCTION D1
CIRCUIT DIAGRAM



OBSOLETE ←1571099=0
SHOWN

| | | | | | |
|---|-------------|----------------------------------|---|--------------------|-------------------------|
| THIS DRAWING IS A CONTROLLED DOCUMENT. | | DWN M.BINNER 25FEB2002 | TE Connectivity | | |
| DIMENSIONS: mm [INCHES] | | CHK D.ROHDE 16NOV05 | | | |
| TOLERANCES UNLESS OTHERWISE SPECIFIED: | | APVD D.ROHDE 16NOV05 | NAME POWER ROCKER SWITCH 21.2mmX36.6mm MIN PANEL SIZE DPDT, NON-ILLUMINATED | | |
| 0 PLC ± - 1 PLC ± - 2 PLC ± - 3 PLC ± - 4 PLC ± - ANGLES ± - | | PRODUCT SPEC APPLICATION SPEC | SIZE A2 | CAGE CODE 00779 | DRAWING NO C=1571099 |
| MATERIAL 1 | FINISH 2 | WEIGHT - | SCALE 2:1 | SHEET 3 of 4 | RESTRICTED TO - |
| CUSTOMER DRAWING | | | REV E | | |

| REVISIONS | | | | |
|-----------|-----|-------------|------|------|
| P | LTR | DESCRIPTION | DATE | APVD |
| - | - | SEE SHEET 1 | - | - |

1 MATERIALS:
 ROCKER BUTTON, FRAME & HOUSING: NYLON 66, UL 94 V-2.
 PLUNGER: PHENOLIC
 SEAL: SILICONE RUBBER
 SCREW TERMINAL, ACTIVE CONTACTOR, CONTACTOR SUPPORT: COPPER ALLOY PER ASTM B152
 QC & SOLDER TERMINAL: COPPER ALLOY PER ASTM B036
 SPRING: STEEL WIRE
 CONTACTS: SILVER-TIN OXIDE

2 FINISH:
 CONTACTOR SUPPORT, ACTIVE CONTACTOR: 1.01µm [.000040] MIN SILVER
 QC TERMINAL: 1.27µm [.000050] MIN NICKEL
 SOLDER TERMINAL: 1.27µm [.000050] MIN TIN

3 ELECTRICAL SPECIFICATIONS:
 CURRENT AND VOLTAGE: **6**
 CONTACT RESISTANCE (INITIAL): <50mΩ
 DIELECTRIC STRENGTH (INITIAL): >1000 VAC, 1 MINUTE
 INSULATION RESISTANCE (INITIAL): >100MΩ MIN (500VDC BETWEEN OPEN CONTACTS)
 ELECTRICAL LIFE ENDURANCE: >6000 OPERATIONS, VOLTAGE DROP: <100mV
 TEMPERATURE RISE AT TERMINALS: <30°C, 6000 OPERATIONS
 (AMBIENT CONDITIONS: 25±2°C AND 65±5%R.H)

4 MECHANICAL SPECIFICATIONS:
 ACTUATING FORCE: 1100g MIN, 3000g MAX
 OPERATING LIFE ENDURANCE: >100,000 OPERATIONS
 TERMINAL RETENTION FORCE: >9kg- SOLDER LUG
 >9kg- QC TAB
 >6.8kg- #6-32 SCREW

5 ENVIRONMENTAL SPECIFICATIONS:
 AMBIENT TEMPERATURE: -20°C TO +85°C
 DEGREE OF PROTECTION: IP 66

6 16(4)A 125/250VAC, 20A 125VAC, 21A 14VDC 10A 28VDC

7 COUNTRY OF ORIGIN AND TERMINAL IDENTIFICATION NUMBERS MOLDED APPROXIMATELY AS SHOWN ON THE SWITCH HOUSING.

8 ELECTRICAL RATINGS, APPROVED AGENCY LOGOS AND THE TE CONNECTIVITY LOGO INK MARKED APPROXIMATELY AS SHOWN ON THE SWITCH HOUSING.

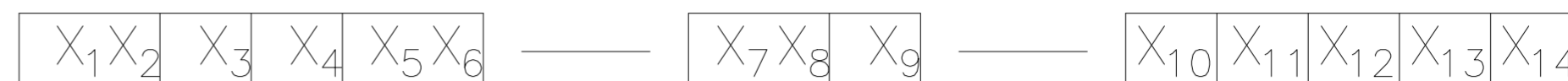
9 COMPONENT RECOGNIZED TO US & CANADIAN STANDARDS, UL FILE NO. E46765.

10 COMPONENT-RECOGNIZED TO EUROPEAN STANDARDS (ENEC & DEMKO) MARKS LICENSE NO ENEC-04154 & D-09456

11 ROHS 2002/95/EC COMPLIANT

12 TE CONNECTIVITY LOGO LOCATED APPROXIMATELY AS SHOWN

LEGACY PART NUMBER



SWITCH TYPE: X1X2 = PR - POWER ROCKER

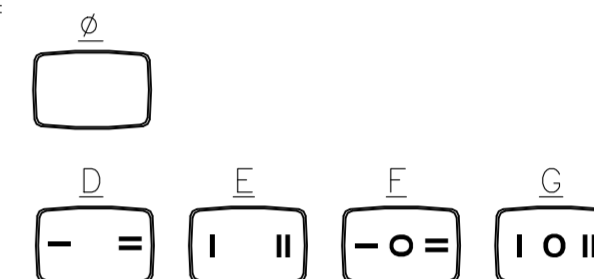
SECONDARY ROCKER COLOR: X12 = ∅ - NOT APPLICABLE

PANEL CUT OUT SIZE: X3 = C - 21.2x36.6 MIN [.835x1.441]

NUMBER OF POLES: X4 = D - DOUBLE

SWITCH FUNCTION: X5X6 =
D1-ON-NONE-ON, WITH OPAQUE, SINGLE-COLOR ROCKER BUTTON.
D3-ON-OFF-ON, WITH OPAQUE, SINGLE-COLOR ROCKER BUTTON.
D4-ON-OFF-(ON), WITH OPAQUE, SINGLE-COLOR ROCKER BUTTON.
D5-(ON)-OFF-(ON), WITH OPAQUE, SINGLE-COLOR ROCKER BUTTON.

LEGEND TEXT PATTERN: X13 =



CURRENT RATING: X7X8 = 20 - **6**

LEGEND TEXT COLOR: X14 = ∅ - NOT APPLICABLE

TERMINAL TYPE: X9 = F - QC TAB
L - SOLDER LUG
S - #6-32 UNC SCREW

G - GREEN
R - RED
B - BLACK
W - WHITE

FRAME COLOR: X10 = B - BLACK
W - WHITE

ROCKER COLOR: X11 = B - BLACK
G - GREEN
R - RED
W - WHITE
Y - YELLOW

| | SHEET REF | ALCOSWITCH PART NUMBER | TYCO PART NUMBER |
|----------|-----------|------------------------|------------------|
| OBSOLETE | 2 | PRCDD1-20F-BB000 | 1571099-1 |
| | 2 | PRCDD1-20F-BB0DW | 1571099-2 |
| | 2 | PRCDD1-20F-BB0EW | 1571099-3 |
| | 2 | PRCDD3-20F-BB000 | 1571099-4 |
| | 2 | PRCDD3-20F-BB0FW | 1571099-5 |
| | 2 | PRCDD3-20F-BB0GW | 1571099-6 |
| | 1 | PRCDD4-20F-BB000 | 1571099-7 |
| | 1 | PRCDD4-20F-BB0FW | 1571099-8 |
| | 1 | PRCDD4-20F-BB0GW | 1571099-9 |
| | 3 | PRCDD1-20S-BB000 | 1-1571099-0 |
| OBSOLETE | 3 | PRCDD1-20S-BB0DW | 1-1571099-1 |
| | 3 | PRCDD1-20S-BB0EW | 1-1571099-2 |
| | 1 | PRCDD5-20F-BB000 | 1-1571099-3 |

| | | | | |
|---|--------------------|----------------------------------|---|--------------------|
| THIS DRAWING IS A CONTROLLED DOCUMENT. | | DWN M.BINNER 25FEB2002 | TE Connectivity | |
| DIMENSIONS: mm [INCHES] | | CHK D.ROHDE 16NOV05 | NAME POWER ROCKER SWITCH 21.2mmX36.6mm MIN PANEL SIZE DPDT, NON-ILLUMINATED | |
| TOLERANCES UNLESS OTHERWISE SPECIFIED: | | APVD D.ROHDE 16NOV05 | SIZE A2 | CAGE CODE 00779 |
| 0 PLC ± - 1 PLC ± - 2 PLC ± - 3 PLC ± - 4 PLC ± - ANGLES ± - | | PRODUCT SPEC APPLICATION SPEC | DRAWING NO C=1571099 | RESTRICTED TO - |
| MATERIAL 1 | FINISH 2 | WEIGHT - | SCALE 2:1 | SHEET 4 of 4 |
| CUSTOMER DRAWING | | | REV E | |