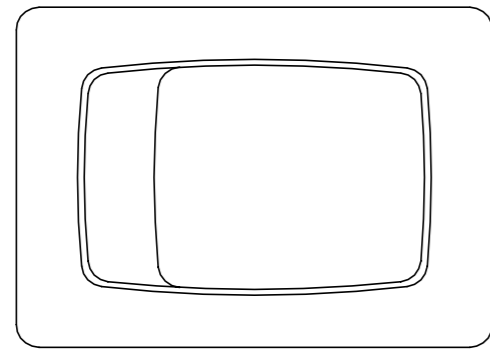
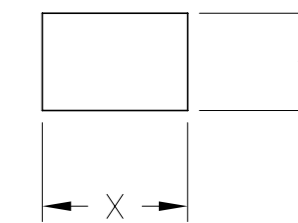


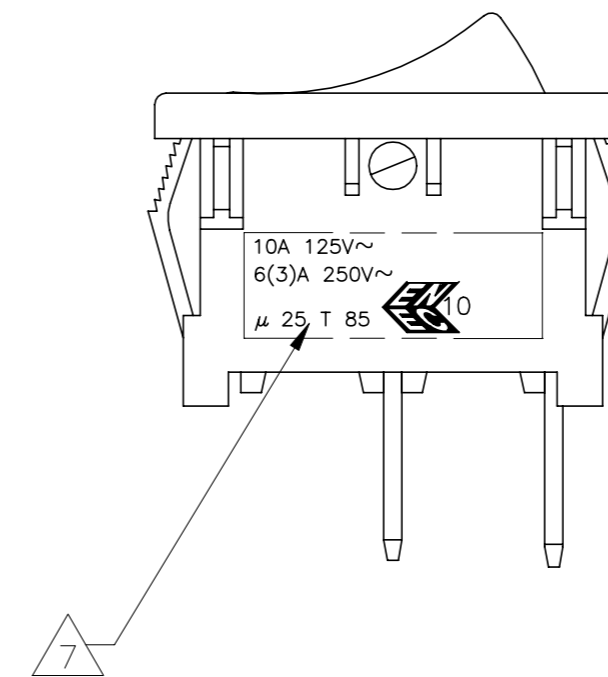
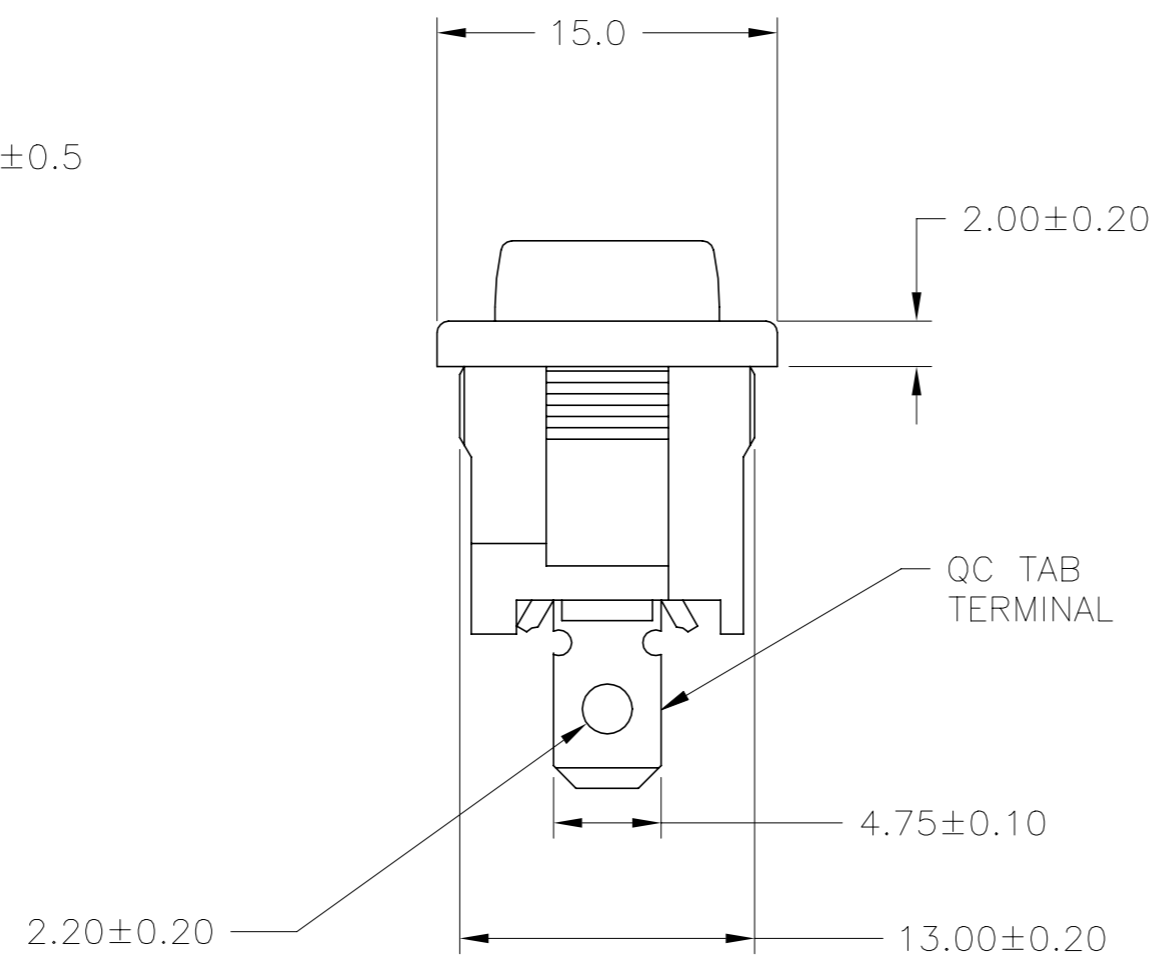
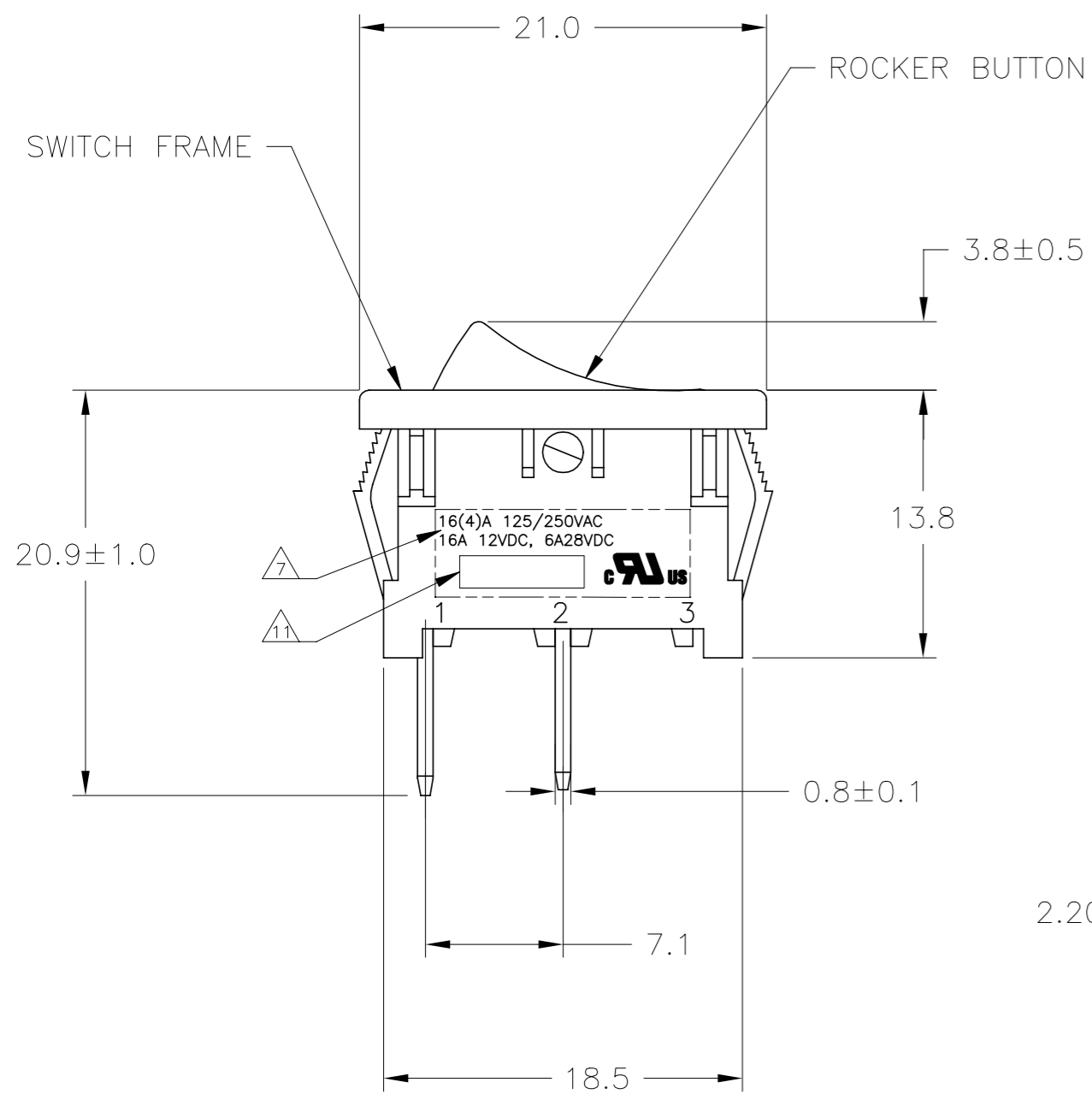
REVISIONS					
P	LTR	DESCRIPTION	DATE	DWN	APVD
N		REVISED PER ECO-20-013571	17FEB2021	SR	JB



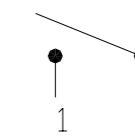
PANEL CUT OUT



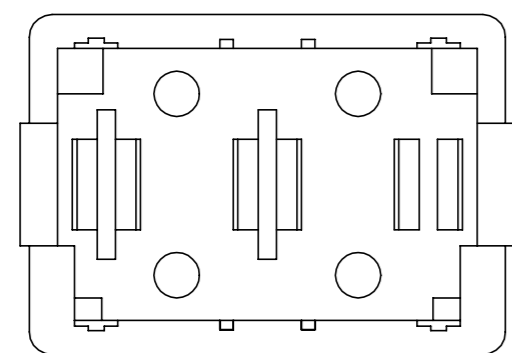
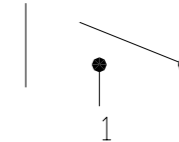
2.00-3.00	19.8-0.1	13.0+0.1
1.25-2.00	19.4-0.1	13.0+0.1
0.75-1.25	19.2-0.1	13.0+0.1
PANEL THICKNESS	X	Y



SWITCH FUNCTION A1
CIRCUIT DIAGRAM



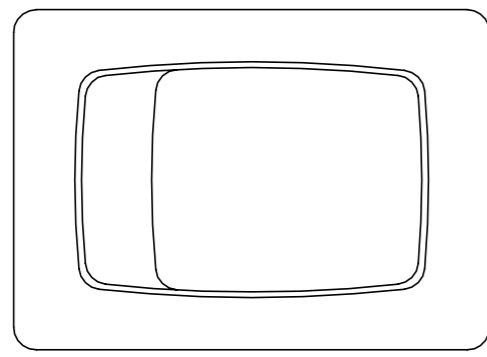
SWITCH FUNCTION A3
CIRCUIT DIAGRAM



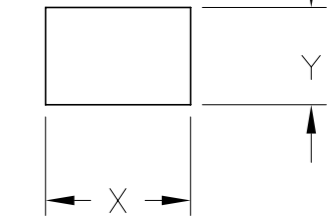
1571076-9 SHOWN

THIS DRAWING IS A CONTROLLED DOCUMENT.		DWN M.BINNER	25FEB2002	TE TE Connectivity Ltd.	
DIMENSIONS: MM		CHK J.MOSIER	APVD -		
TOLERANCES UNLESS OTHERWISE SPECIFIED:		PRODUCT SPEC NOT APPLICABLE		SIZE A2	CAGE CODE 00779
0 PLC ± -		APPLICATION SPEC NOT APPLICABLE		DRAWING NO C=1571076	RESTRICTED TO -
1 PLC ± 0.30		MATERIAL 1		SCALE 3:1	SHEET 1 of 4
2 PLC ± 0.05		FINISH 2		REV N	
3 PLC ± -		CUSTOMER DRAWING			
4 PLC ± -					
ANGLES ± -					

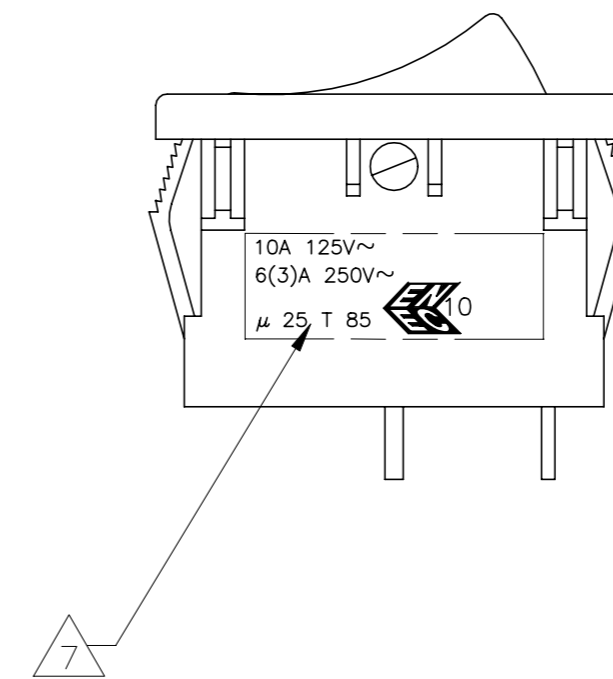
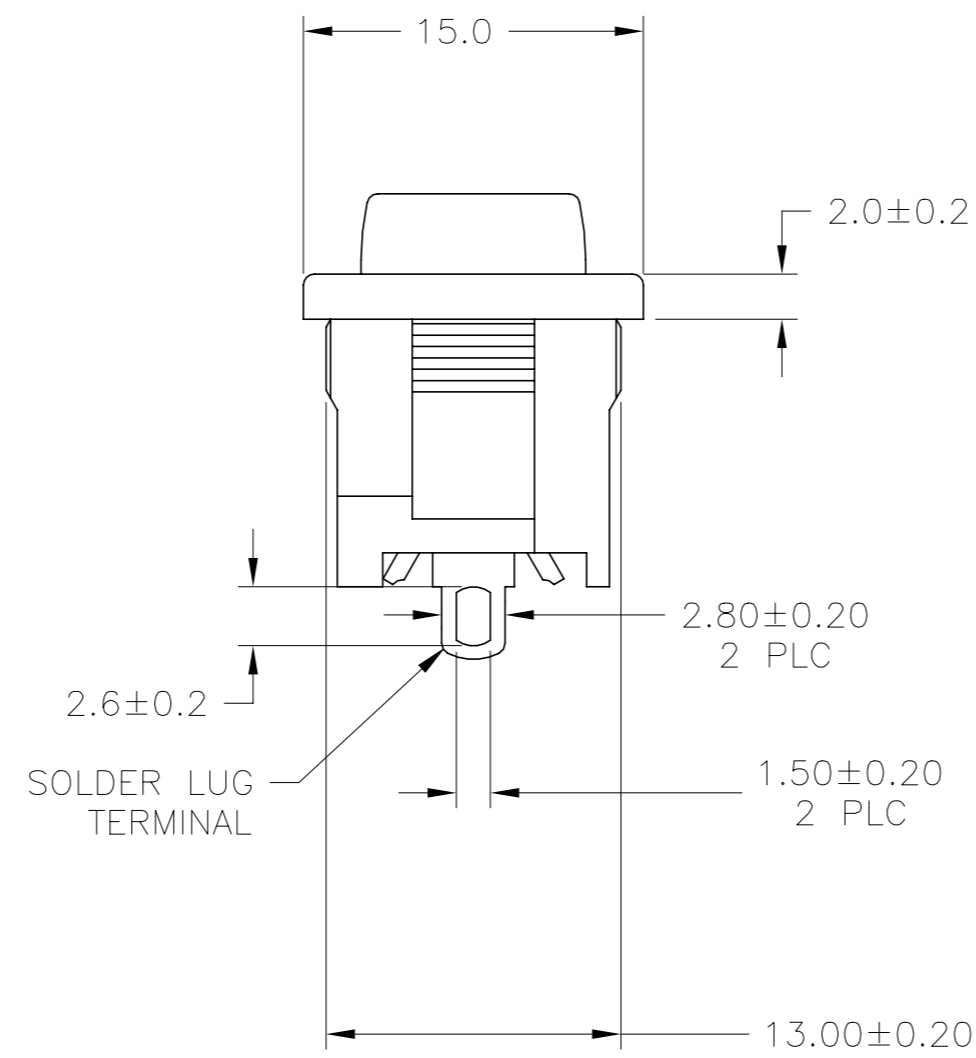
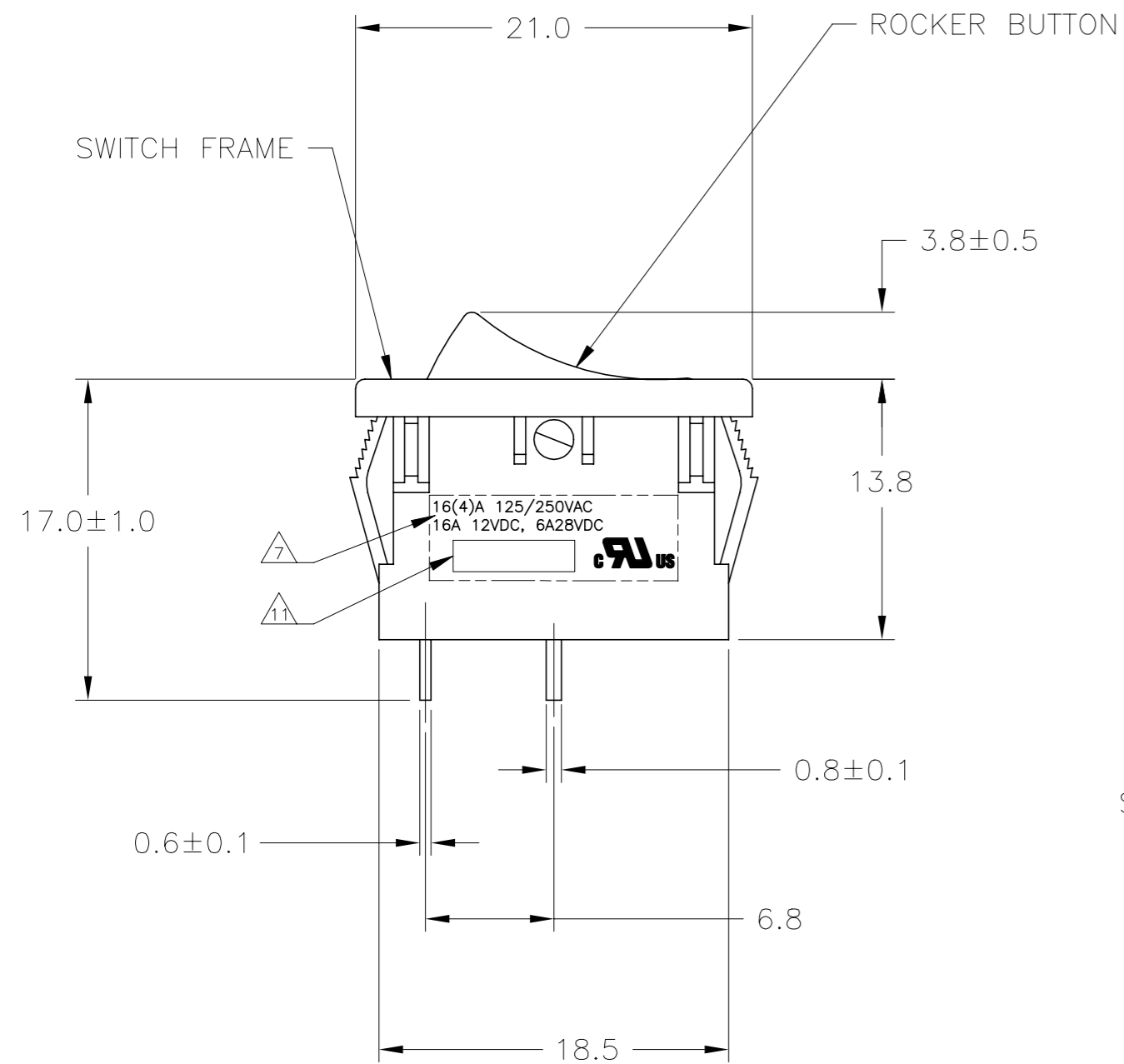
REVISIONS					
P	LTR	DESCRIPTION	DATE	DWN	APVD
-	-	SEE SHEET 1	-	-	-



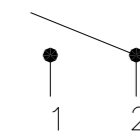
PANEL CUT OUT



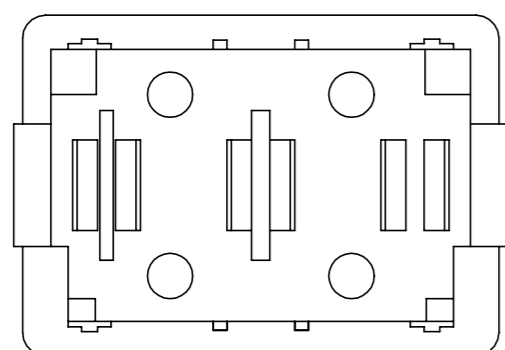
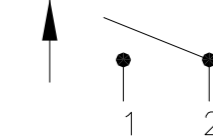
2.00-3.00	19.8-0.1	13.0+0.1
1.25-2.00	19.4-0.1	13.0+0.1
0.75-1.25	19.2-0.1	13.0+0.1
PANEL THICKNESS	X	Y



SWITCH FUNCTION A1
CIRCUIT DIAGRAM



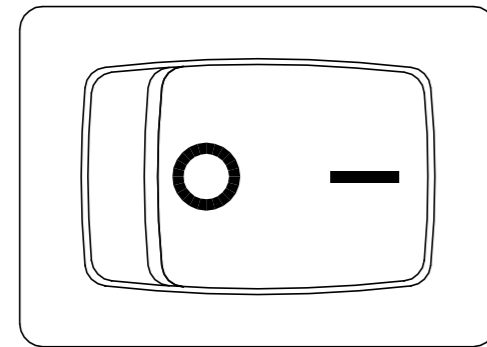
SWITCH FUNCTION A3
CIRCUIT DIAGRAM



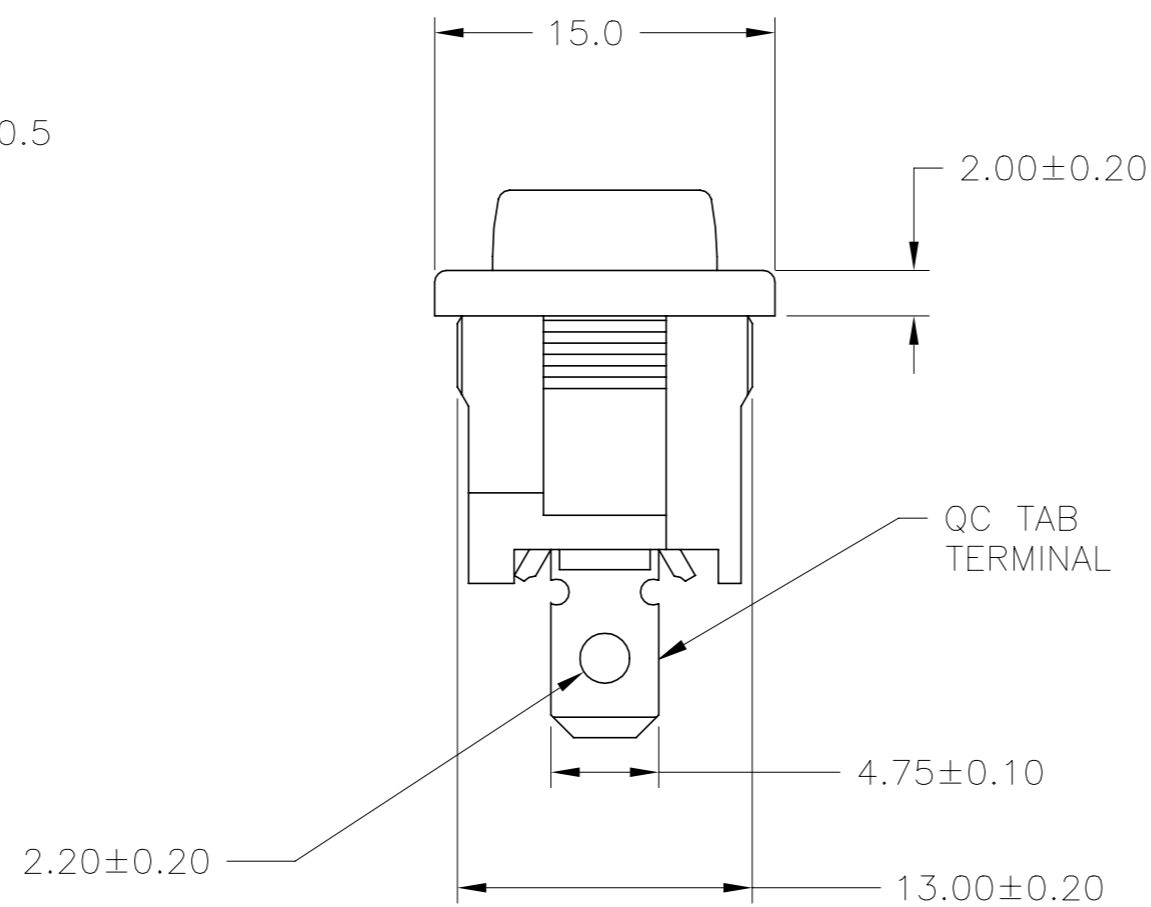
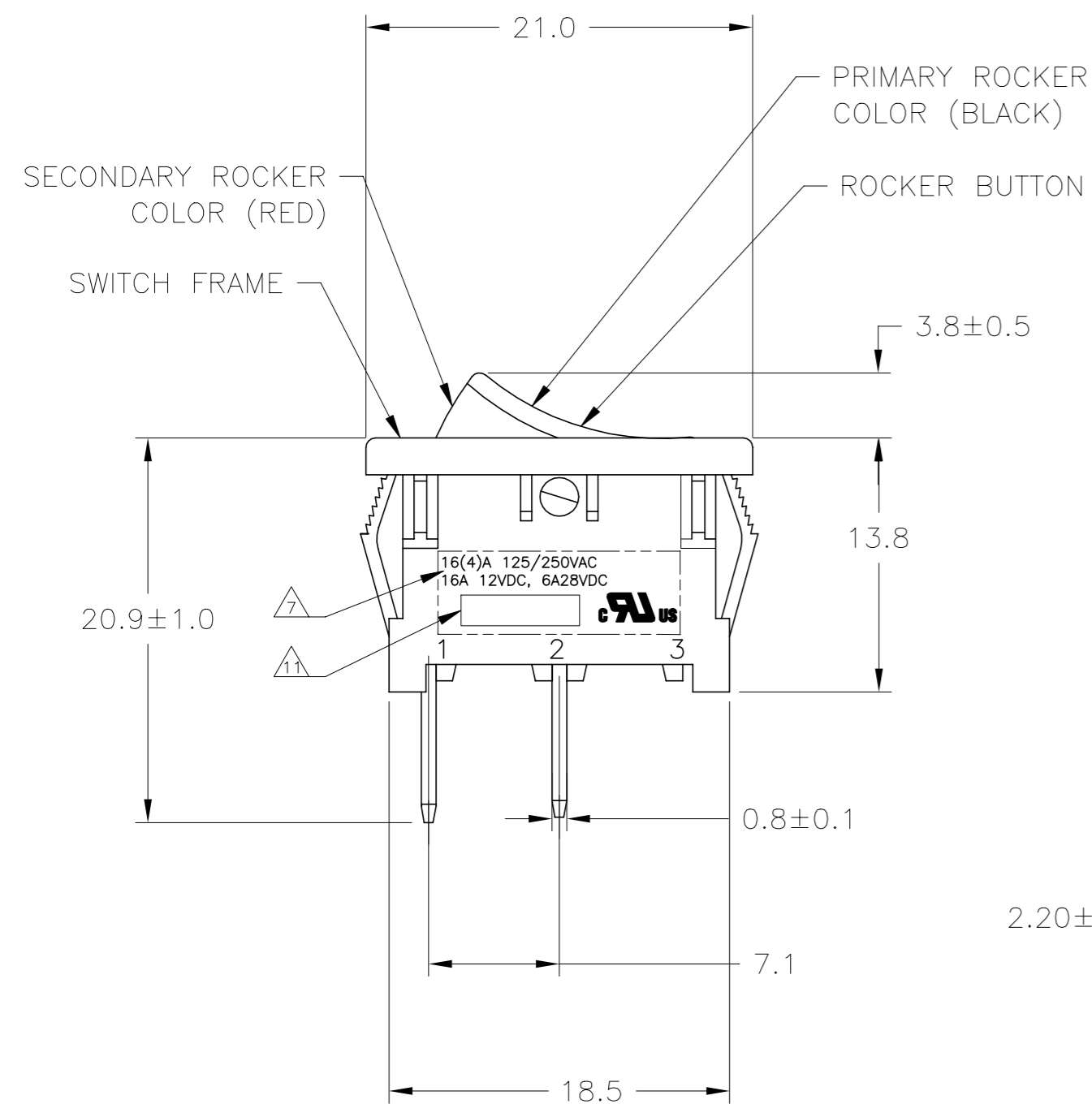
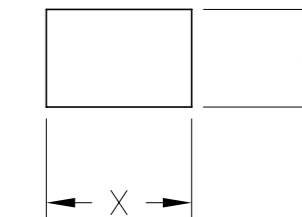
1-1571076-2 SHOWN

THIS DRAWING IS A CONTROLLED DOCUMENT.		DWN M.BINNER	25FEB2002	TE Connectivity Ltd.	
DIMENSIONS: MM		CHK J.MOSIER	-		
TOLERANCES UNLESS OTHERWISE SPECIFIED:		APVD -	-	NAME POWER ROCKER SWITCH, 13.0mm X 19.2mm PANEL SIZE SPST 2 TERMINALS NON-ILLUMINATED	
0 PLC ± -		PRODUCT SPEC	NOT APPLICABLE	SIZE A2	CAGE CODE 00779
1 PLC ± 0.30		APPLICATION SPEC	NOT APPLICABLE	DRAWING NO C=1571076	RESTRICTED TO -
2 PLC ± 0.05		MATERIAL 1	FINISH 2	SCALE 3:1	SHEET 2 of 4
3 PLC ± -		CUSTOMER DRAWING		REV N	
4 PLC ± -					
ANGLES ± -					

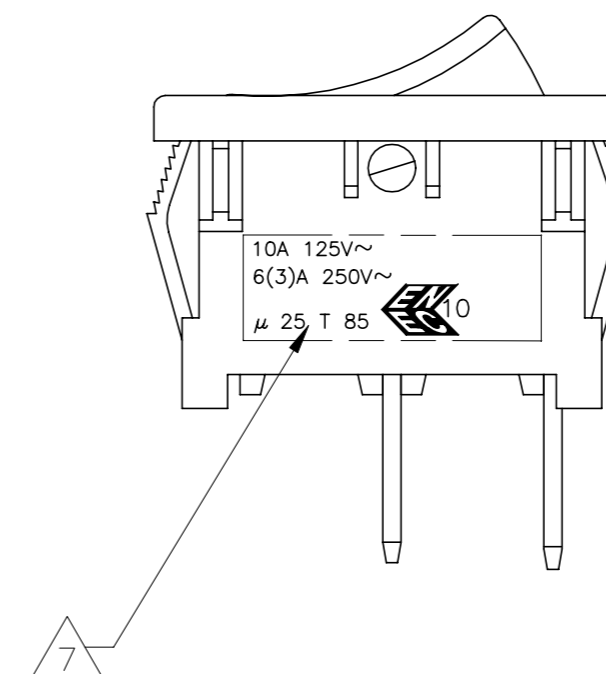
P	LTR	DESCRIPTION	DATE	DWN	APVD
-	-	SEE SHEET 1	-	-	-



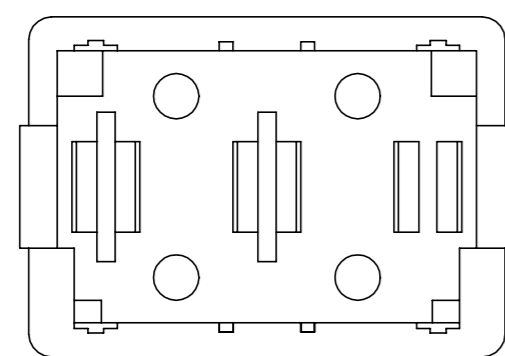
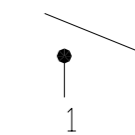
PANEL CUT OUT



2.00-3.00	19.8-0.1	13.0+0.1
1.25-2.00	19.4-0.1	13.0+0.1
0.75-1.25	19.2-0.1	13.0+0.1
PANEL THICKNESS	X	Y



SWITCH FUNCTION A2
CIRCUIT DIAGRAM

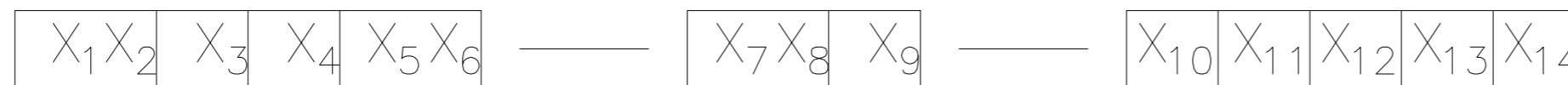


OBSOLETE 6-1571076-7 SHOWN
(WITH DUAL COLOR ROCKER BUTTON)

THIS DRAWING IS A CONTROLLED DOCUMENT.		DWN M.BINNER	25FEB2002	TE Connectivity Ltd.	
DIMENSIONS: MM		CHK J.MOSIER	-		
TOLERANCES UNLESS OTHERWISE SPECIFIED:		APVD -	-	PRODUCT SPEC NOT APPLICABLE	
0 PLC ± -		APPLICATION SPEC NOT APPLICABLE		SIZE A2	CAGE CODE 00779
1 PLC ± 0.30		MATERIAL 1		DRAWING NO C=1571076	
2 PLC ± 0.05		FINISH 2		RESTRICTED TO -	
3 PLC ± -		CUSTOMER DRAWING		SCALE 3:1	SHEET 3 of 4
4 PLC ± -		WEIGHT -		REV N	
ANGLES ± -					

P	LTR	DESCRIPTION	DATE	DWN	APVD
-	-	SEE SHEET 1	-	-	-

LEGACY PART NUMBER



SWITCH TYPE: X1X2 = PR - POWER ROCKER

NOMINAL PANEL CUT OUT SIZE: X3 = A - 13.0x19.2

NUMBER OF POLES: X4 = S - SINGLE

SWITCH FUNCTION: X5X6 =

A1 - ON-OFF, WITH OPAQUE, SINGLE-COLOR ROCKER BUTTON

A2 - ON-OFF, WITH OPAQUE, DUAL-COLOR ROCKER BUTTON

A3 - (ON)-OFF, WITH OPAQUE, SINGLE-COLOR ROCKER BUTTON

CURRENT RATING: X7X8 = 16 - △6

TERMINAL TYPE: X9 = E - QC TAB

L - SOLDER LUG

FRAME COLOR: X10 = B - BLACK

W - WHITE

ROCKER COLOR: X11 = B - BLACK

G - GREEN

R - RED

W - WHITE

SECONDARY ROCKER COLOR: X12 = ∅ - NOT APPLICABLE

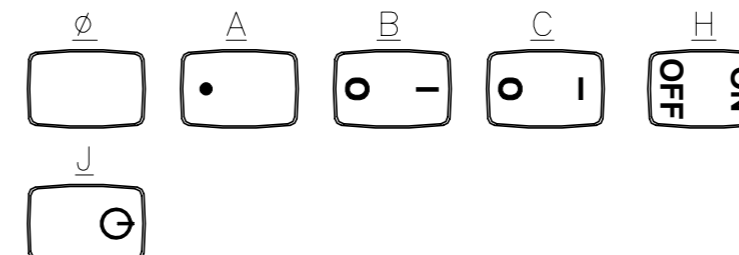
B - BLACK

G - GREEN

R - RED

W - WHITE

LEGEND TEXT PATTERN: X13 =



LEGEND TEXT COLOR: X14 = ∅ - NOT APPLICABLE

G - GREEN

R - RED

B - BLACK

W - WHITE

1 **MATERIALS:**
 ROCKER BUTTON & HOUSING FRAME: NYLON 66, UL 94 V-2.
 TERMINAL, ACTIVE CONTACTOR: COPPER ALLOY PER ASTM B152/B152M
 PLUNGER: COPPER ALLOY PER ASTM B036
 SPRING: STEEL WIRE PER ASTM A228/A228M
 CONTACT: SILVER-TIN OXIDE
 BOTTOM PLATE(SOLDER LUG OPTION): PHENOLIC LAMINATE

2 **FINISH:**
 TERMINAL, ACTIVE CONTACTOR: 1.0µm MIN SILVER
 PLUNGER: 3.0µm MIN NICKEL

3. **ELECTRICAL SPECIFICATIONS:**
 CURRENT AND VOLTAGE: △6
 CONTACT RESISTANCE (INITIAL): <100mΩ (5V, 1A DC)
 DIELECTRIC STRENGTH (INITIAL): >1000 VAC, 1 MINUTE
 INSULATION RESISTANCE (INITIAL): >100MΩ MIN (500VDC BETWEEN OPEN CONTACTS)
 INRUSH CURRENT: 50A / 3msec (CAPACITIVE LOAD)
 ELECTRICAL LIFE ENDURANCE: >6000 OPERATIONS,
 TEMPERATURE RISE AT TERMINALS: <30°C, 6000 OPERATIONS (AMBIENT CONDITIONS: 25±2°C AND 65±5%R.H)
 DEGREE OF PROTECTION: IP40

4. **MECHANICAL SPECIFICATIONS:**
 ACTUATING FORCE: 150g MIN, 650g MAX
 OPERATING LIFE ENDURANCE: >100,000 OPERATIONS
 TERMINAL RETENTION FORCE: >2.5kg- SOLDER LUG
 >6.8kg- QC TAB

5. **ENVIRONMENTAL SPECIFICATIONS:**
 AMBIENT TEMPERATURE: -20°C TO +85°C
 HUMIDITY: MAX 85%
 SALT SPRAY: NO REMAKABLE RUST IN METAL PARTS. (5%SALT / 35°C 24HRS)
 SHOCK: NO MECHANICAL DEFECT OR DAMAGE. (100g / 10MSEC/ X,Y,Z 3 TIMES)
 VIBRATION: NO MECHANICAL DEFECT OR DAMAGE. (10-55Hz /1.5mm/ X,Y,Z 2HRS)
 DEGREE OF PROTECTION: IP40

△6 UL: 16(4)A 125/250VAC / 16A12VDC, 6A28VDC
 ENEC: 10A 125V~, 6(3)A 250V~ µ25T85.

△7 ELECTRICAL RATINGS, AGENCY APPROVAL LOGOS, TERMINAL IDENTIFICATION NUMBERS, MOLDED APPROXIMATELY AS SHOWN ON THE SIDE OF THE SWITCH HOUSING.

8. COMPONENT RECOGNIZED TO US AND CANADIAN STANDARDS, UL FILE NO. E46765.

9. NOTE REMOVED.

10. ROHS 2002/95/EC COMPLIANT.

△11 TE CONNECTIVITY LOGO LOCATED APPROXIMATELY AS SHOWN

OBSOLETE	3	PRASA2-16F-BBRBR	6-1571076-7
	2	PRASA1-16L-BR000	6-1571076-6
	1	PRASA1-16F-BR000	6-1571076-5
	2	PRASA1-16L-BROBW	3-1571076-0
	1	PRASA3-16F-BB000	2-1571076-6
OBSOLETE	1	PRASA3-16F-BB0JW	2-1571076-1
	1	PRASA1-16F-BB0HW	2-1571076-0
OBSOLETE	2	PRASA1-16L-BB0CW	1-1571076-4
	2	PRASA1-16L-BB0BW	1-1571076-3
	2	PRASA1-16L-BB000	1-1571076-2
	1	PRASA1-16F-BB0CW	1-1571076-1
	1	PRASA1-16F-BB0BW	1-1571076-0
	1	PRASA1-16F-BB000	1571076-9
	SHEET REF.	LEGACY PART NUMBER	PART NUMBER

THIS DRAWING IS A CONTROLLED DOCUMENT.		DWN	25FEB2002	TE Connectivity Ltd.	
		CHK	M.BINNER	POWER ROCKER SWITCH, 13.0mm X 19.2mm	
		APVD	J.MOSIER	PANEL SIZE SPST 2 TERMINALS NON-ILLUMINATED	
		PRODUCT SPEC	-	-	
		APPLICATION SPEC	-	-	
DIMENSIONS: MM		TOLERANCES UNLESS OTHERWISE SPECIFIED:	0 PLC ± -	SIZE	CAGE CODE
			1 PLC ± 0.30	A2	00779
			2 PLC ± 0.05	DRAWING NO	C=1571076
			3 PLC ± -	RESTRICTED TO	-
			4 PLC ± -		
MATERIAL		FINISH	WEIGHT	SCALE	SHEET
<u>△1</u>		<u>△2</u>	0.000000	3:1	4 of 4
CUSTOMER DRAWING			REV	N	