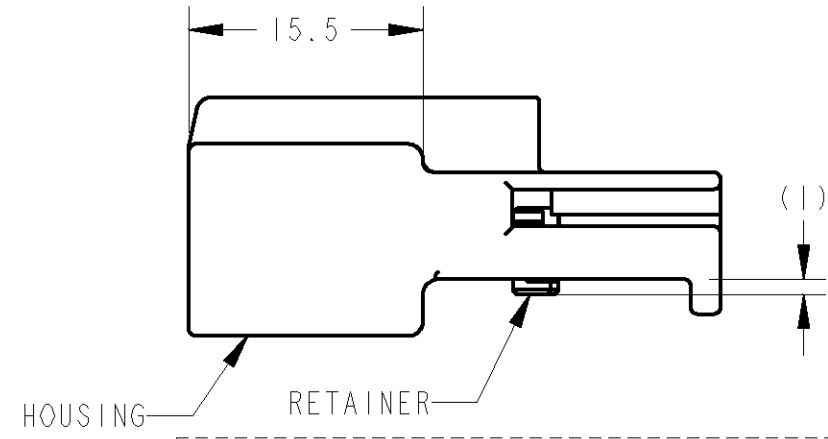
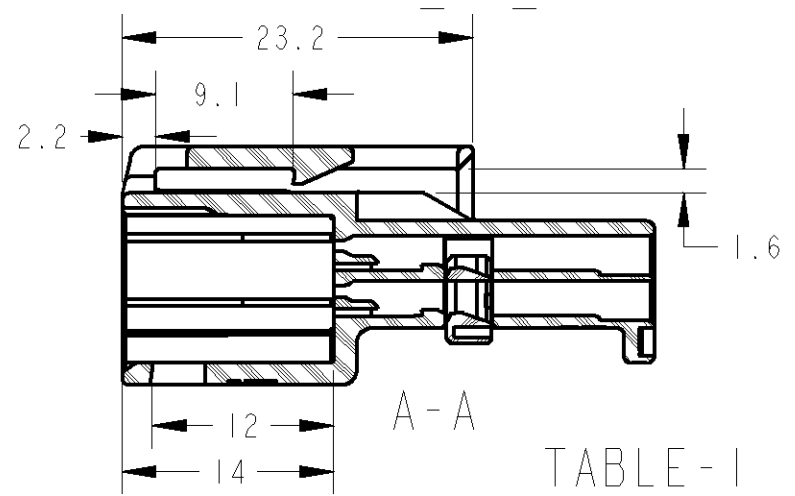
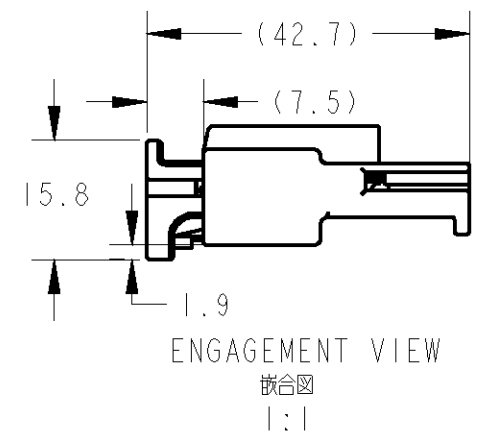
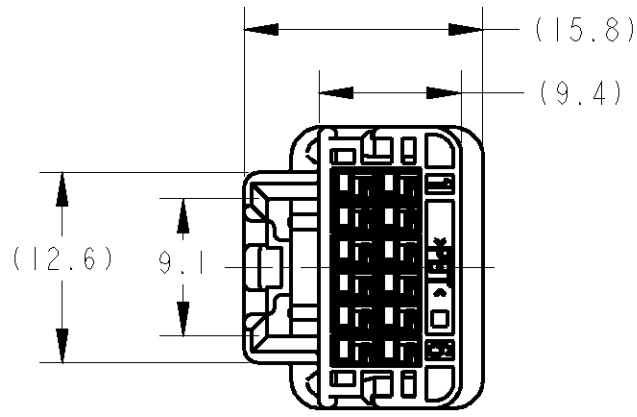
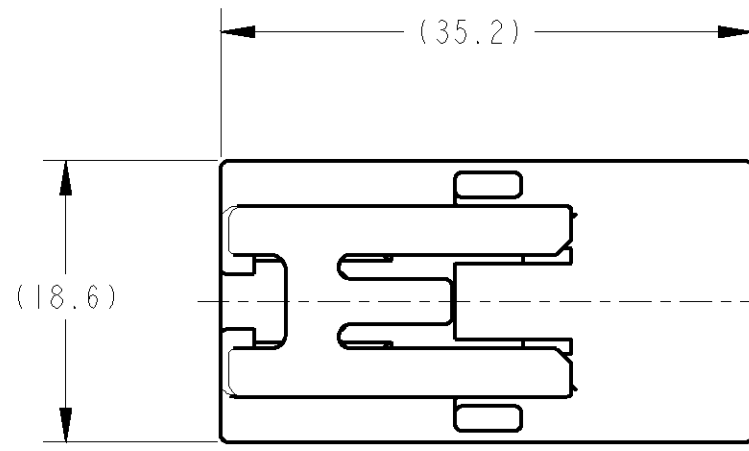
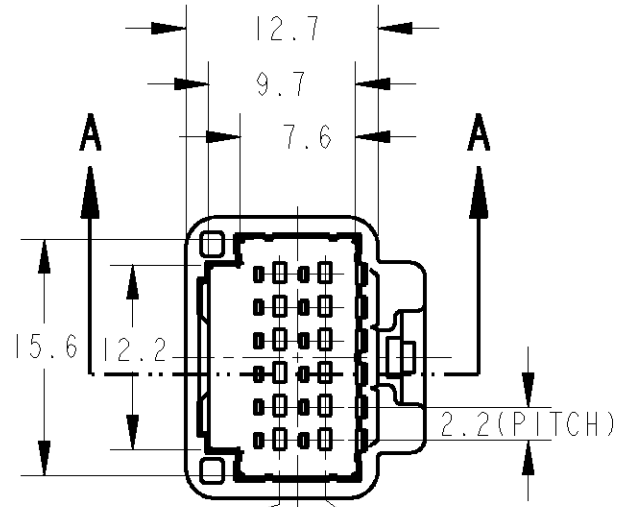


LOC	DIST	REVISIONS			
P	LTR	DESCRIPTION	DATE	DWN	APVD
J		RELEASED	FJ00-0242-02	01FEB2002	YM NS
		REVISED	ECR-09-002844	03JUL09	RN SK



1. プラグハウジングにダブルロックプレートを仮係止して出荷される。
2. 仮係止時プレート突起がハウジングの外側に出ていること。
3. 嵌合相手型番はTABLE-1参照
4. 適用端子はTABLE-2参照
5. 取扱説明書; 411-5996

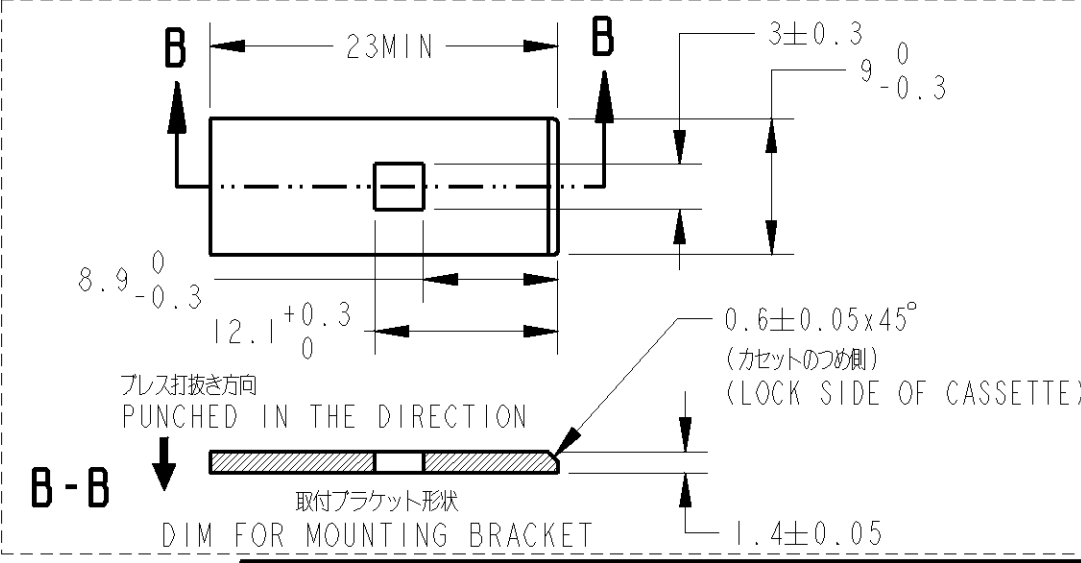
1. PLATE SHOULD BE SET TO THE PRE-ASSEMBLY POSITION WITHIN THE PLUG HOUSING WHEN SHIPPED TO THE CUSTOMER.
2. THE RETENTION LATCH OF THE PLATE MUST BE OUT SIDE OF PLUG HOUSING WHEN PRE-ASSEMBLY.
3. PART NUMBER OF CAP HOUSING TO BE MATED; SEE TABLE-1
4. APPLIED TERMINAL; SEE TABLE-2
5. INSTRUCTION SHEET NO; 411-5996

TABLE-1

POS 極数	TERMINATION TYPE 結線方式	PLUG ASSEMBLY PART NO. 嵌合相手型番
12	CRIMP	1318774
	IDC	1473809 1473810

TABLE-2

TYPE 端子種類	FINISH 仕上	APPLIED TERMINAL 適用端子	APPLICABLE WIRE RANGE 適用電線
SIGNAL 025	GOLD	CRIMP	1376109-2 CAVS/CAVUS 0.22~0.5mm <sup>2</sup> AVSS/AVSSH-f 0.3~0.5mm <sup>2</sup>
		CRIMP	1376109-1
	TIN	IDC	1473818-1 WIRE RANGE: 0.08mm <sup>2</sup> INSULATION DIA: 1.1~1.4mm
		IDC	1565406-1 WIRE RANGE: 0.22mm <sup>2</sup> INSULATION DIA: 0.8~1.4mm



PACKING STYLE 梱包形態	COLOR	PART NUMBER
PAPER BOX ダンボール	NATURAL	1565894-1
PLASTIC BAG ビニール袋		
OUTER 外表		
INNER 内装		

THIS DRAWING IS A CONTROLLED DOCUMENT FOR TYCO ELECTRONICS CORPORATION. IT IS SUBJECT TO CHANGE AND THE CONTROLLING ENGINEERING ORGANIZATION SHOULD BE CONTACTED FOR THE LATEST REVISION.		DWN Y. MITO 01FEB02	Tyco Electronics AMP K.K. Kawasaki, Japan	
DIMENSIONS: 単位: ㎜		CHK H. YAMAGAMI 01FEB02	NAME 025 SERIES CONNECTOR 12 POSITION CAP HOUSING ASSEMBLY	
TOLERANCES UNLESS OTHERWISE SPECIFIED: 一般公差 ±0.3		APVD N. SAI 01FEB02	DRAWING NO 1565894	
0 PLC ±		PRODUCT SPEC 108-5660	RESTRICTED TO	
1 PLC ±0.1		APPLICATION SPEC 114-5291.114-5276	SIZE A3	CAGE CODE 00779
2 PLC ±0.01		WEIGHT 4.3 g	SCALE 2.1	
3 PLC ±0.001		SHEET OF REV A		
4 PLC ±0.0001				
ANGLES ±3'00"				
MATERIAL 材料 PBT	FINISH 仕上 NATURAL	CUSTOMER DRAWING		