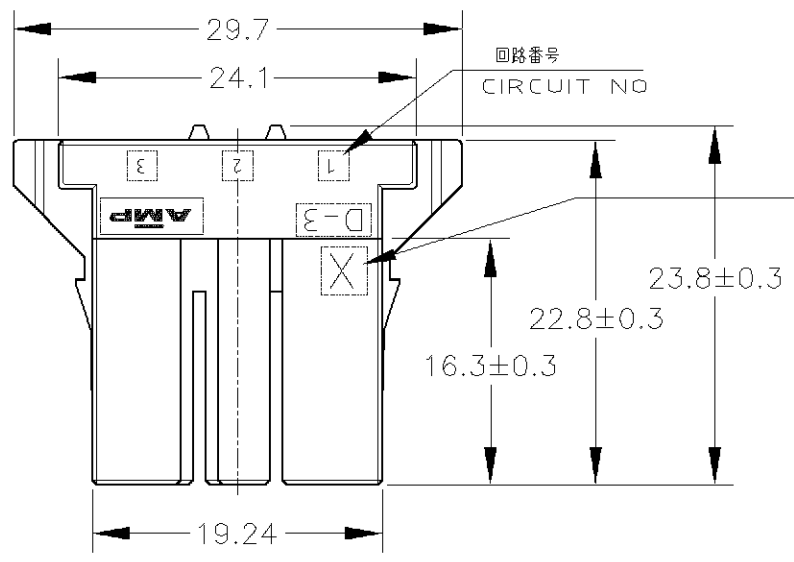
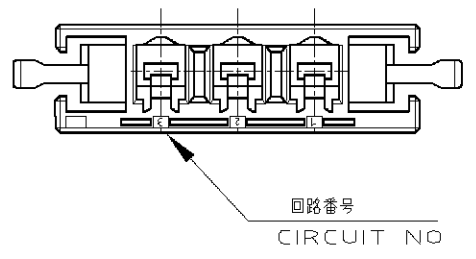
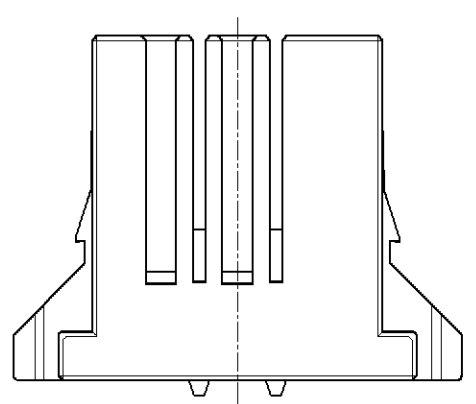
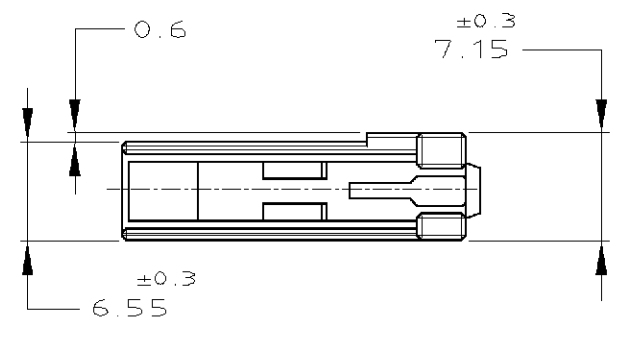
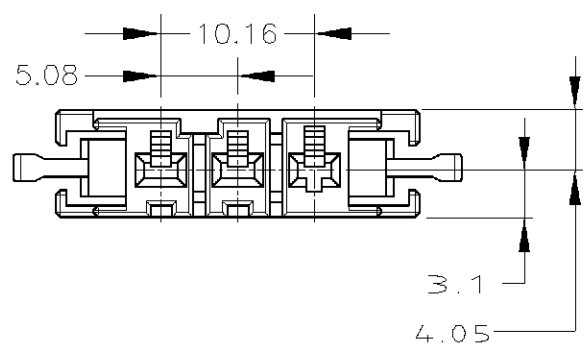


THIS DRAWING IS UNPUBLISHED. RELEASED FOR PUBLICATION
 © COPYRIGHT BY TYCO ELECTRONICS CORPORATION. ALL RIGHTS RESERVED.

| LOC | DIST | REVISIONS | | | | | |
|-----|------|-----------|-----|------------------------|---------|-----|------|
| J | — | P | LTR | DESCRIPTION | DATE | DWN | APVD |
| | | | 0 | RELEASED(FJ00-0357-02) | 22MAY02 | K.R | S.M |



キー表示 : X
 KEY INDICATION : X



注記

- 1 材料 : ガラス入り熱可塑性ポリエステル樹脂
色 : 黒
- 2 シーケンシャルクリップ装着可能回路番号 : 1 番ピンのみ可能
- 3 製品規格 : 108-5349 及びシーケンシャルクリップ図面 (図面番号 : 1565644) を参照のこと
- 4 一度シーケンシャルクリップを外したリセハウジングに再びシーケンシャルクリップを装着することは出来ません。シーケンシャルクリップを再び装着する場合には、リセハウジングとシーケンシャルクリップは新品に交換してください。
- 5 適用可能タブ・コネクタタイプ : 基板取付タイプ (パネルタイプ及びフリーハンギング・タイプの使用は出来ません。)

NOTE

- 1 MATERIAL: GLASS FIELD THERMO PLASTIC, POLYESTER
COLOR: BLACK
- 2 THE CIRCUIT NUMBER THAT SEQUENTIAL CLIP INSTALLATION IS POSSIBLE : ONLY NO.1 CIRCUIT
- 3 PRODUCT SPEC. : 108-5349 AND, REFER TO THE SEQUENTIAL CLIP (DRAWING NO.1565644)
- 4 REC HSG FROM WHICH THE SEQUENTIAL CLIP WAS REMOVED ALSO AT ONCE CANNOT BE AGAIN EQUIPPED WITH THE SEQUENTIAL CLIP. IN EQUIPPING REC HSG WITH A SEQUENTIAL CLIP AGAIN, EXCHANGE REC HSG AND SEQUENTIAL CLIP FOR A NEW ARTICLE.
- 5 THE TAB CONNECTOR TYPE WHICH CAN BE APPLIED : PC BOARD MOUNT TYPE (PANEL TYPE AND FREE HANGING TYPE CAN NOT BE USED.)

| | | |
|--------------------------|-----------------|--------------------|
| | X | 1-1565878-3 |
| キーイング KEYING LOCATION | キーイング KEYING | 製品番号 (PART NO.) |

| | | | | | | | | | | | | | | | | | | |
|--|------------|-----------------------------|--|-----------------|------------|-------|-----|-------|-----|-------|-----|--------|------|---------------------------|------|-----------|-------------------------------|---------------|
| THIS DRAWING IS A CONTROLLED DOCUMENT. | | DWN K.RIKU 22MAY02 | Tyco Electronics AMP K.K. Kawasaki, Japan | | | | | | | | | | | | | | | |
| DIMENSIONS: 単位 : 耗 MM | | CHK D.MITSUGI 22MAY02 | | | | | | | | | | | | | | | | |
| TOLERANCES UNLESS OTHERWISE SPECIFIED: 一般公差 | | APVD S.MANABE 22MAY02 | NAME 名称 DYNAMIC D-3200, 5.08 PITCH RECEPTACLE HOUSING (KEY:X) FOR SEQUENTIAL | | | | | | | | | | | | | | | |
| <table border="1"> <tr><td>0 PLC</td><td>± -</td></tr> <tr><td>1 PLC</td><td>± - ± 0.25</td></tr> <tr><td>2 PLC</td><td>± -</td></tr> <tr><td>3 PLC</td><td>± -</td></tr> <tr><td>4 PLC</td><td>± -</td></tr> <tr><td>ANGLES</td><td>± 3'</td></tr> </table> | | 0 PLC | ± - | 1 PLC | ± - ± 0.25 | 2 PLC | ± - | 3 PLC | ± - | 4 PLC | ± - | ANGLES | ± 3' | PRODUCT SPEC 製品規格 — | SIZE | CAGE CODE | DRAWING NO 番号 C-1565878 | RESTRICTED TO |
| 0 PLC | ± - | | | | | | | | | | | | | | | | | |
| 1 PLC | ± - ± 0.25 | | | | | | | | | | | | | | | | | |
| 2 PLC | ± - | | | | | | | | | | | | | | | | | |
| 3 PLC | ± - | | | | | | | | | | | | | | | | | |
| 4 PLC | ± - | | | | | | | | | | | | | | | | | |
| ANGLES | ± 3' | | | | | | | | | | | | | | | | | |
| MATERIAL 材料 SEE NOTE | | FINISH 仕上 — | WEIGHT 2.45g | A3 | 00779 | — | | | | | | | | | | | | |
| CUSTOMER DRAWING | | | SCALE 尺度 1:1 | SHEET 1 OF 1 | REV 0 | | | | | | | | | | | | | |