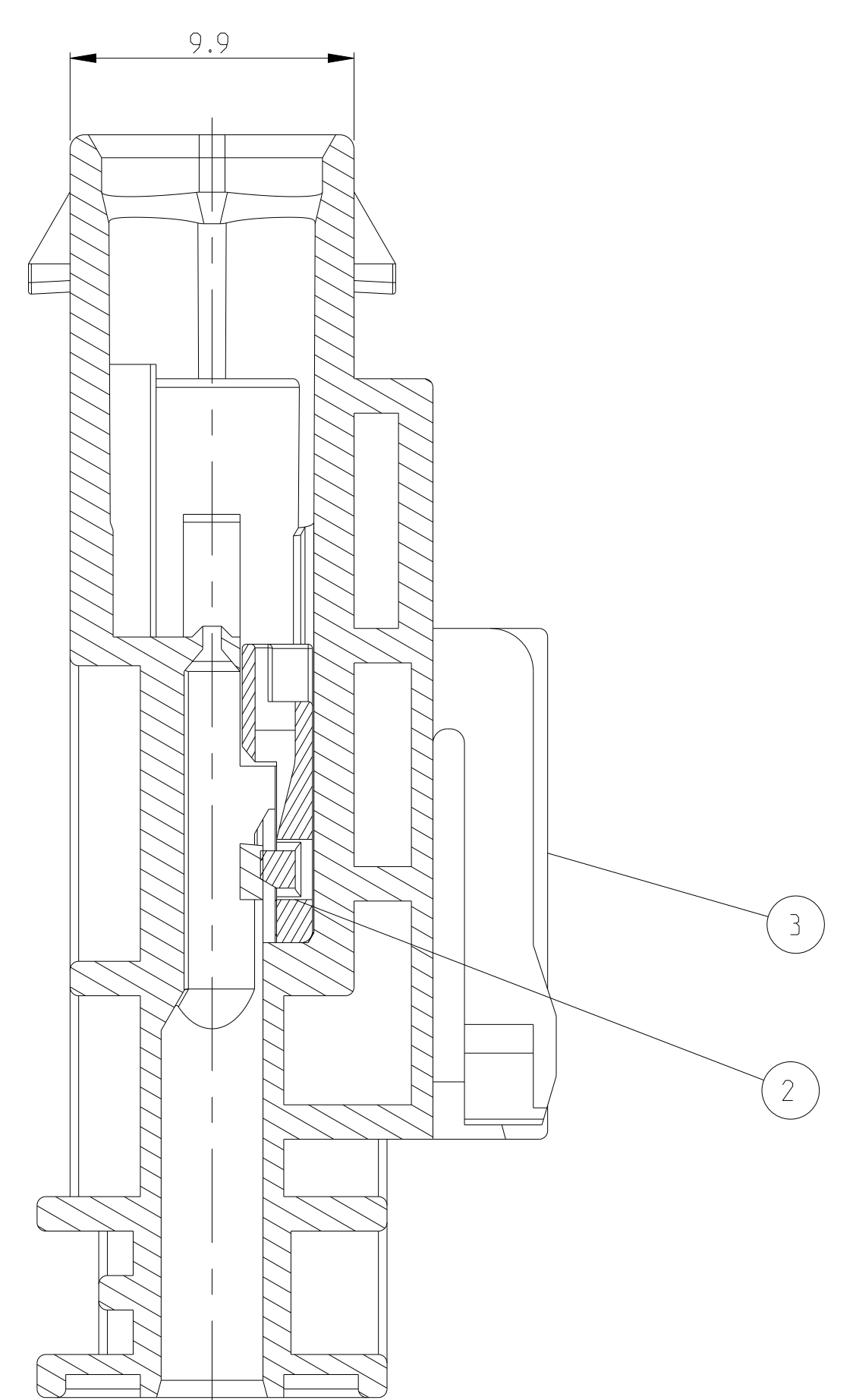
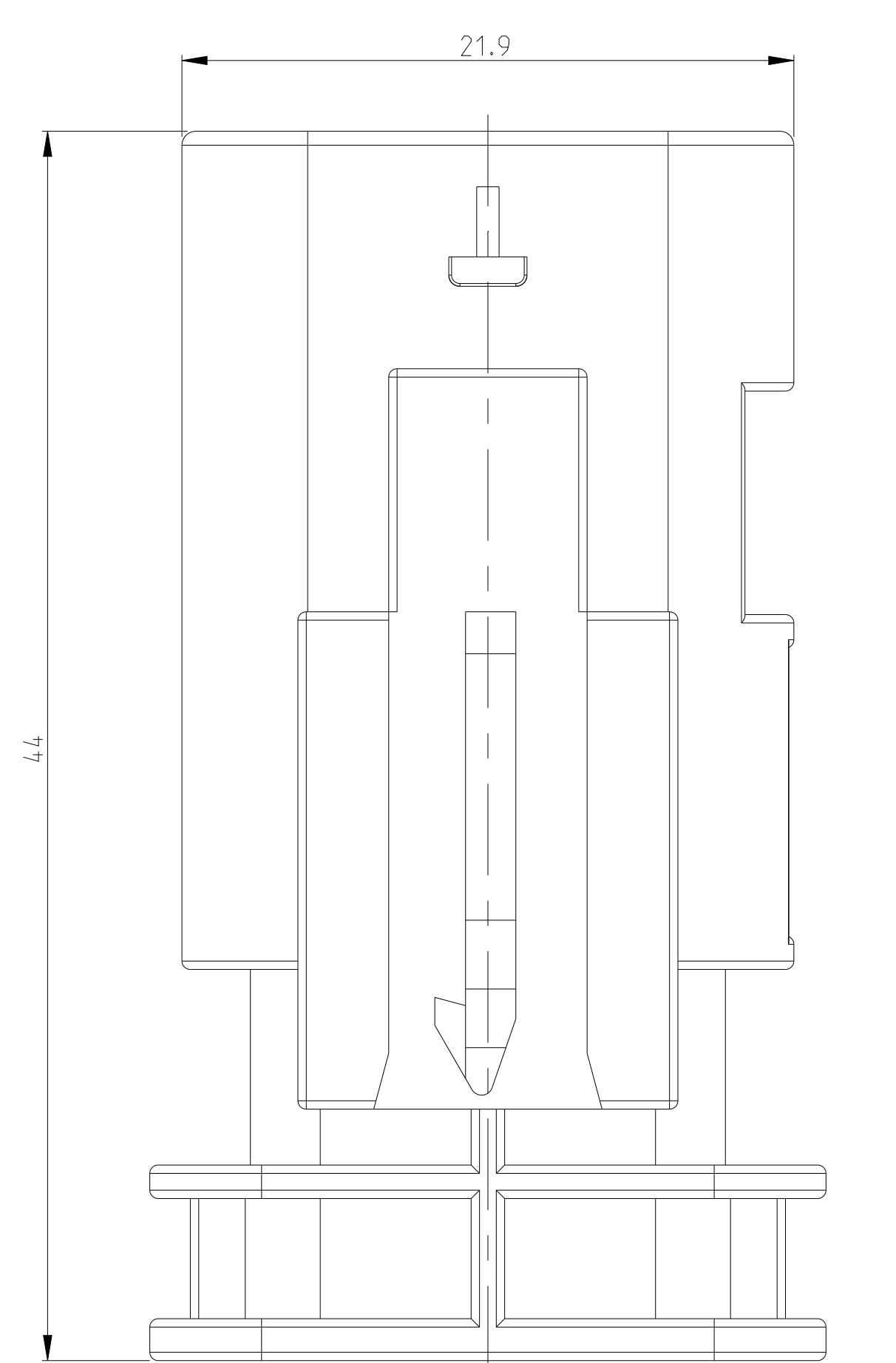
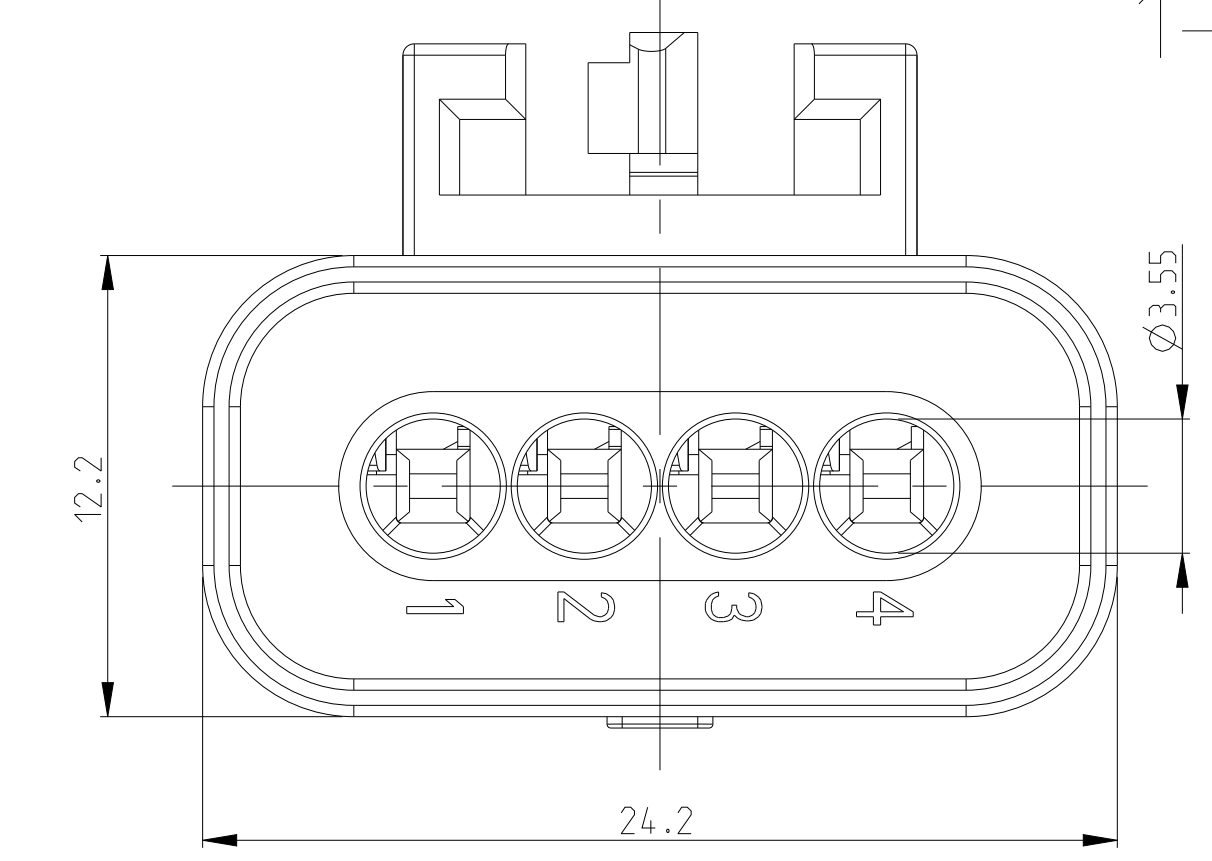
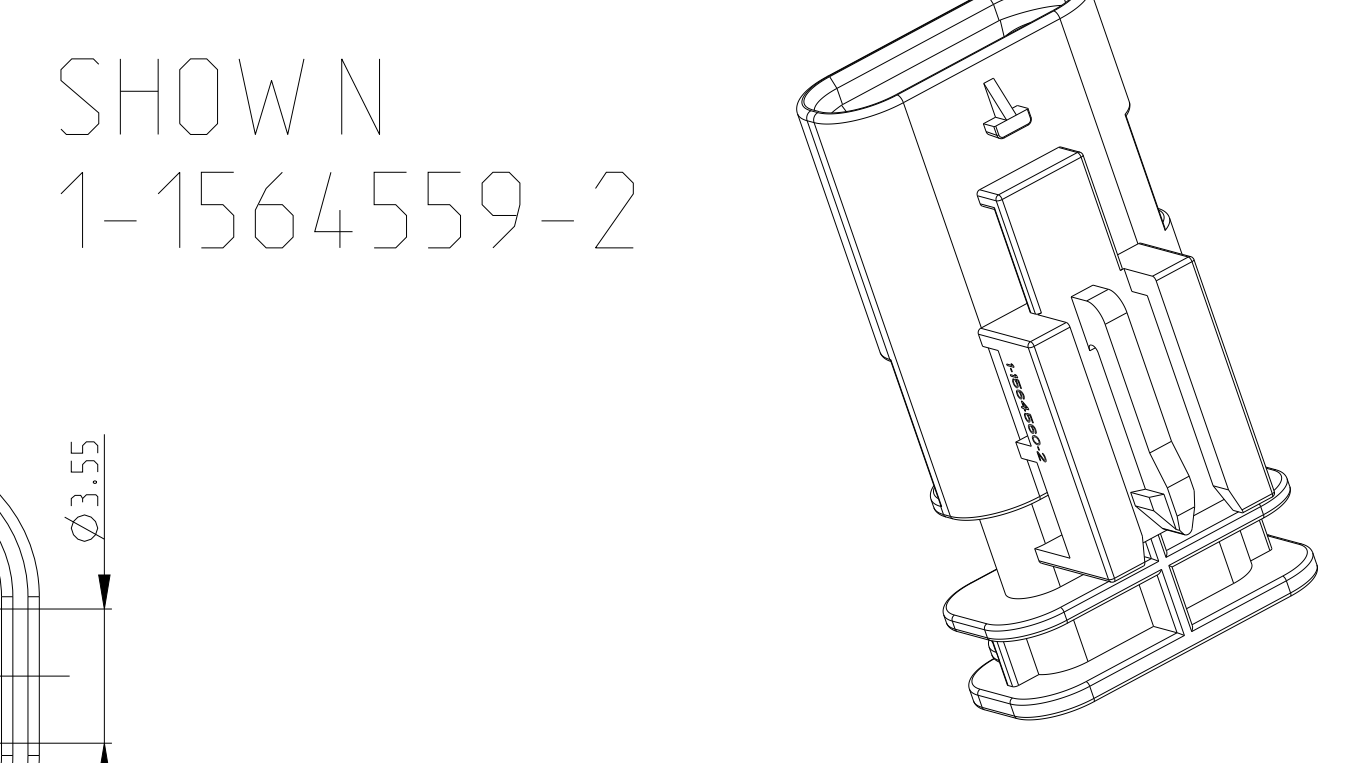


RETAINER IN PRE LOCKED POSITION
Kontaktsicherung in Vorraststellung

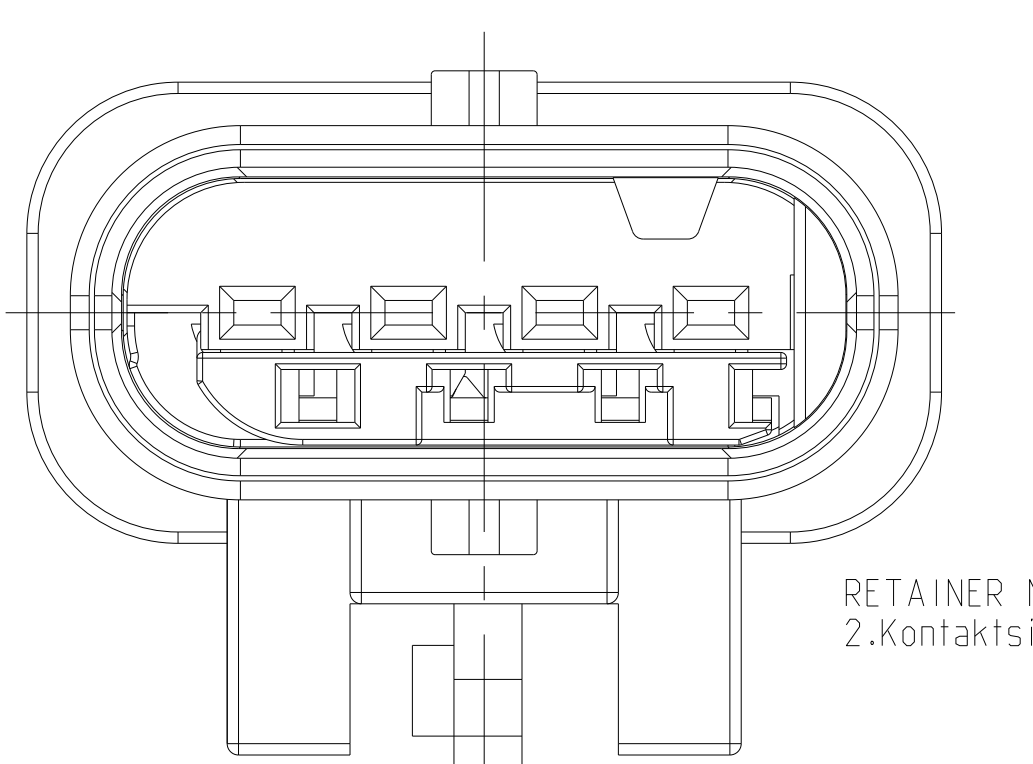
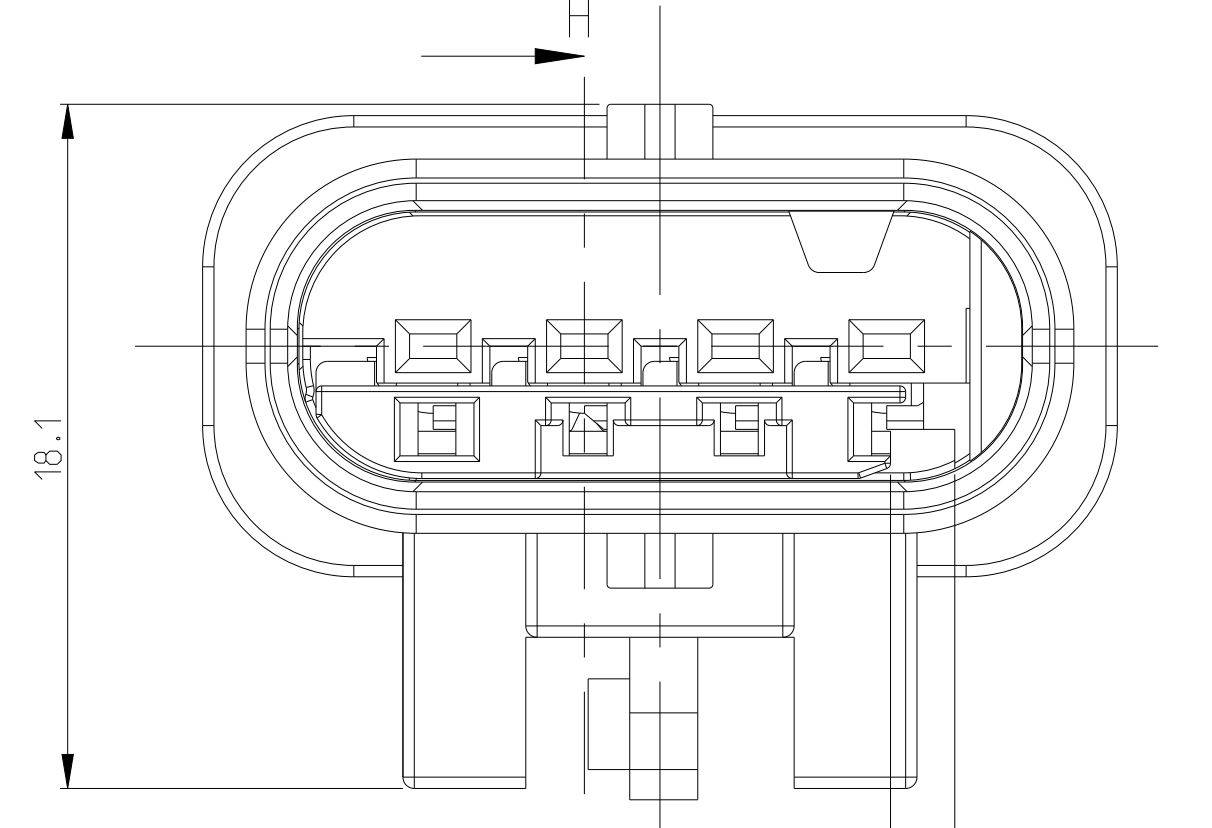
RETAINER IN FINAL LOCKED POSITION
2. Kontaktsicherung in Endraststellung

RETAINER MOVING DIRECTION
2. Kontaktsicherung Verschiebeweg

Coding	2:1
A	1-1564559-1 - BLACK 1-1564559-4 - YELLOW 5-1564559-1 - BLUE
B	2-1564559-1 - GREY 2-1564559-4 - YELLOW
C	3-1564559-1 - BLACK 3-1564559-4 - YELLOW
D	4-1564559-1 - BLACK
N	
I	MOUNTING CLIP VERSION I EW CAP-005-11



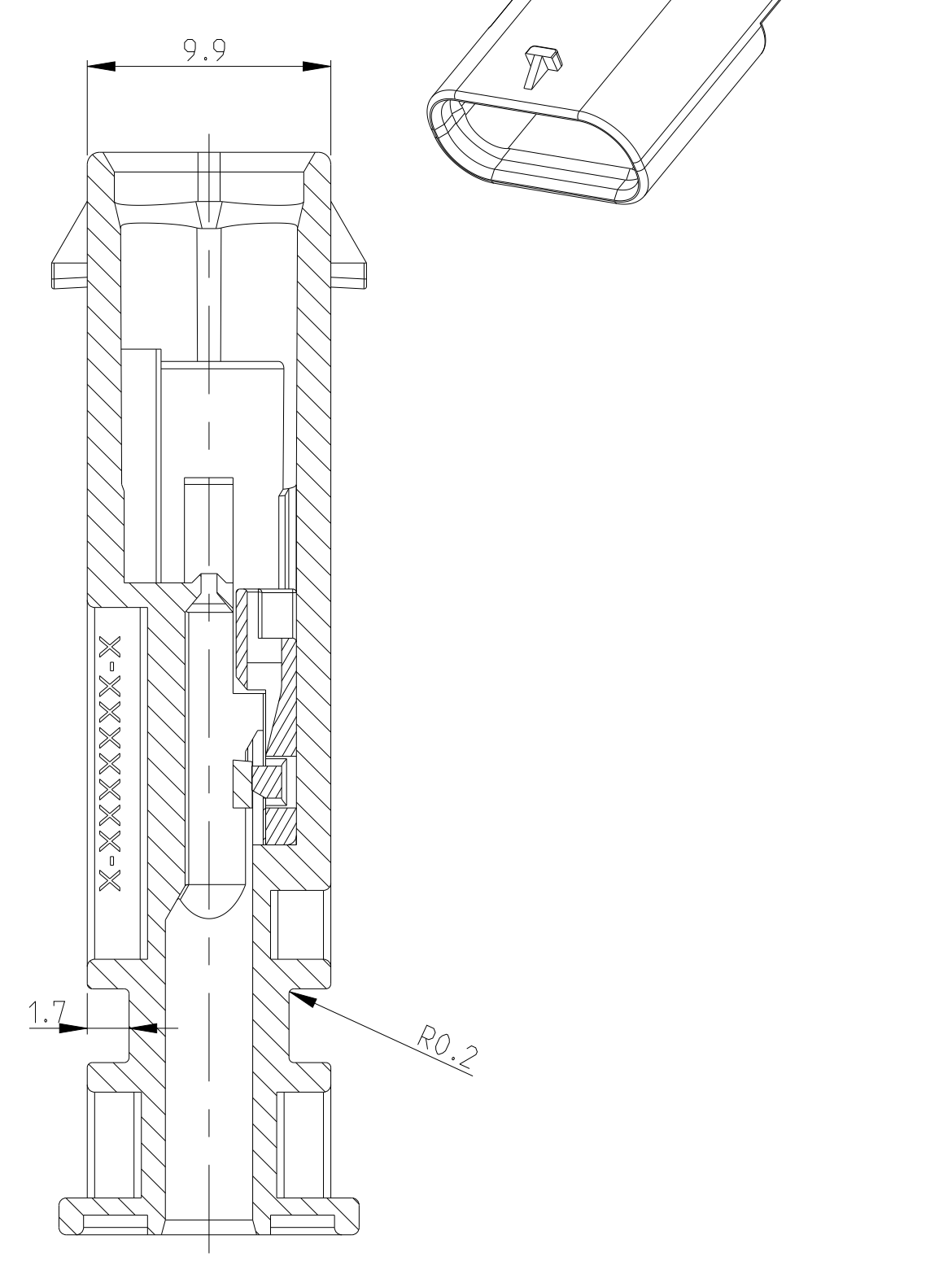
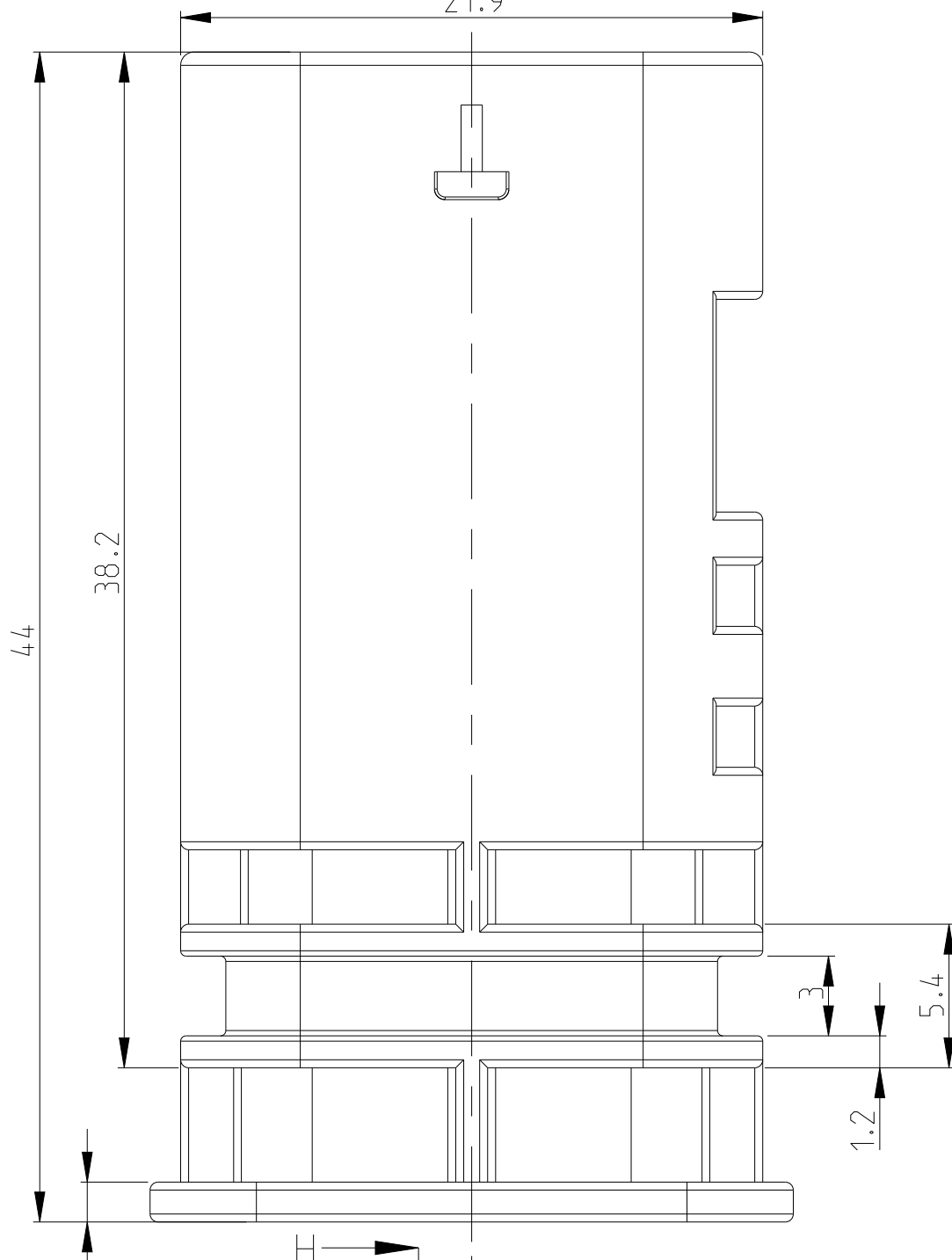
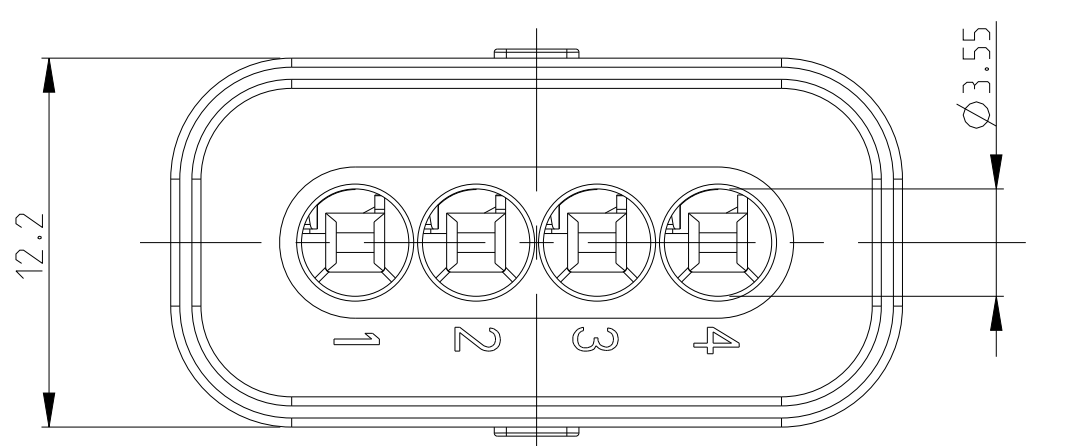
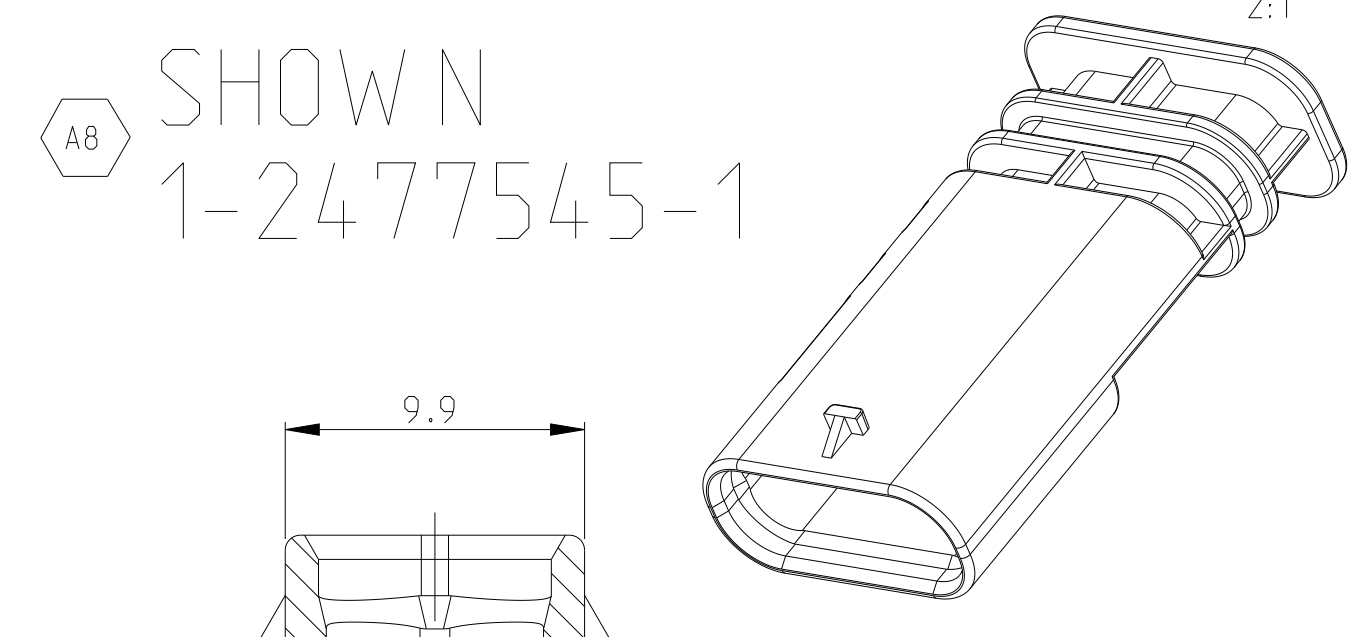
RETAINER IN PRE LOCKED POSITION
Kontaktsicherung in Vorraststellung



RETAINER IN FINAL LOCKED POSITION
2. Kontaktsicherung in Endraststellung

RETAINER MOVING DIRECTION
2. Kontaktsicherung Verschiebeweg

Coding	2:1
A	1-2477545-1 - BLACK
w/o	WITHOUT MOUNTING CLIP



RETAINER IN PRE LOCKED POSITION
Kontaktsicherung in Vorraststellung

RETAINER IN FINAL LOCKED POSITION
2. Kontaktsicherung in Endraststellung

RETAINER MOVING DIRECTION
2. Kontaktsicherung Verschiebeweg

SHOW N
1-1564559-2

REVISIONS					
REV	DATE	DESCRIPTION	BY	CHK	APPD
A5	06061206	PCN-E-14-014884	MT	HR	
A6	28061201	PCN-21-119051	BV	LSZ	
A7	02040203	ECN-23-224821	LSZ	SN	
AB	04.04.2024	New version (1-2477545-1) added	GB	SN	

Coding	2:1
A	1-1564559-2 -BLACK
B	2-1564559-2 -GREY
C	3-1564559-2 -BLACK
D	4-1564559-2 -BLACK
N	
II	MOUNTING CLIP VERSION II

USED MCON 1.2mm LL MALE TERMINALS AND SEALS			
TE-PN. TERMINALS	WIRE RANGE	TE-PN. SINGLE WIRE SEAL	TE-PN. BLIND PLUG
2141868	0.08 - 0.22mm ²	967067-2	
1718758	0.25 - 0.35mm ²	967067-2	967056-1
1718760	0.5 - 0.75mm ²	967067-1	
1718762	1mm ²	967067-1	

TERMINAL TE-APPLICATION SPEC.: 114-18464

AB	1-1670918-1	1-2477545-1	2477545 (1-2477546-1)	A	A	w/o	Stiftgehaeuse 4pol. MALE HOUSING 4POS.	1	Kontaktsicherung	PA66-GF35	violett/VIOLET	2
				A <td>Z <td>II</td> <td>Stiftgehaeuse 4pol. MALE HOUSING 4POS.</td> <td>1</td> <td>Kontaktsicherung <td>PA66-GF35</td> <td>violett/VIOLET</td> <td>2</td> </td></td>	Z <td>II</td> <td>Stiftgehaeuse 4pol. MALE HOUSING 4POS.</td> <td>1</td> <td>Kontaktsicherung <td>PA66-GF35</td> <td>violett/VIOLET</td> <td>2</td> </td>	II	Stiftgehaeuse 4pol. MALE HOUSING 4POS.	1	Kontaktsicherung <td>PA66-GF35</td> <td>violett/VIOLET</td> <td>2</td>	PA66-GF35	violett/VIOLET	2
		4-1564559-2		A <td>D <td>II</td> <td>Stiftgehaeuse 4pol. MALE HOUSING 4POS.</td> <td>1</td> <td>Kontaktsicherung <td>PA66-GF35</td> <td>violett/VIOLET</td> <td>2</td> </td></td>	D <td>II</td> <td>Stiftgehaeuse 4pol. MALE HOUSING 4POS.</td> <td>1</td> <td>Kontaktsicherung <td>PA66-GF35</td> <td>violett/VIOLET</td> <td>2</td> </td>	II	Stiftgehaeuse 4pol. MALE HOUSING 4POS.	1	Kontaktsicherung <td>PA66-GF35</td> <td>violett/VIOLET</td> <td>2</td>	PA66-GF35	violett/VIOLET	2
		3-1564559-2		A <td>C <td>II</td> <td>Stiftgehaeuse 4pol. MALE HOUSING 4POS.</td> <td>1</td> <td>Kontaktsicherung <td>PA66-GF35</td> <td>violett/VIOLET</td> <td>2</td> </td></td>	C <td>II</td> <td>Stiftgehaeuse 4pol. MALE HOUSING 4POS.</td> <td>1</td> <td>Kontaktsicherung <td>PA66-GF35</td> <td>violett/VIOLET</td> <td>2</td> </td>	II	Stiftgehaeuse 4pol. MALE HOUSING 4POS.	1	Kontaktsicherung <td>PA66-GF35</td> <td>violett/VIOLET</td> <td>2</td>	PA66-GF35	violett/VIOLET	2
A5	1-1670918-2	2-1564559-2	1564559 (2-1564560-2)	A <td>B <td>II</td> <td>Stiftgehaeuse 4pol. MALE HOUSING 4POS.</td> <td>1</td> <td>Kontaktsicherung <td>PA66-GF35</td> <td>violett/VIOLET</td> <td>2</td> </td></td>	B <td>II</td> <td>Stiftgehaeuse 4pol. MALE HOUSING 4POS.</td> <td>1</td> <td>Kontaktsicherung <td>PA66-GF35</td> <td>violett/VIOLET</td> <td>2</td> </td>	II	Stiftgehaeuse 4pol. MALE HOUSING 4POS.	1	Kontaktsicherung <td>PA66-GF35</td> <td>violett/VIOLET</td> <td>2</td>	PA66-GF35	violett/VIOLET	2
A5	1-1670918-1	1-1564559-2	1564559 (1-1564560-2)	A <td>A <td>II</td> <td>Stiftgehaeuse 4pol. MALE HOUSING 4POS.</td> <td>1</td> <td>Kontaktsicherung <td>PA66-GF35</td> <td>violett/VIOLET</td> <td>2</td> </td></td>	A <td>II</td> <td>Stiftgehaeuse 4pol. MALE HOUSING 4POS.</td> <td>1</td> <td>Kontaktsicherung <td>PA66-GF35</td> <td>violett/VIOLET</td> <td>2</td> </td>	II	Stiftgehaeuse 4pol. MALE HOUSING 4POS.	1	Kontaktsicherung <td>PA66-GF35</td> <td>violett/VIOLET</td> <td>2</td>	PA66-GF35	violett/VIOLET	2
AB	1-2463814-1	5-1564559-1	1564559 (5-1564560-1)	A <td>A <td>I</td> <td>Stiftgehaeuse 4pol. MALE HOUSING 4POS.</td> <td>1</td> <td>Kontaktsicherung <td>PA66-GF35</td> <td>violett/VIOLET</td> <td>2</td> </td></td>	A <td>I</td> <td>Stiftgehaeuse 4pol. MALE HOUSING 4POS.</td> <td>1</td> <td>Kontaktsicherung <td>PA66-GF35</td> <td>violett/VIOLET</td> <td>2</td> </td>	I	Stiftgehaeuse 4pol. MALE HOUSING 4POS.	1	Kontaktsicherung <td>PA66-GF35</td> <td>violett/VIOLET</td> <td>2</td>	PA66-GF35	violett/VIOLET	2
	3-1670918-1	3-1564559-4	1564559 (3-1564560-4)	A <td>C <td>I</td> <td>Stiftgehaeuse 4pol. MALE HOUSING 4POS.</td> <td>1</td> <td>Kontaktsicherung <td>PA66-GF35</td> <td>violett/VIOLET</td> <td>2</td> </td></td>	C <td>I</td> <td>Stiftgehaeuse 4pol. MALE HOUSING 4POS.</td> <td>1</td> <td>Kontaktsicherung <td>PA66-GF35</td> <td>violett/VIOLET</td> <td>2</td> </td>	I	Stiftgehaeuse 4pol. MALE HOUSING 4POS.	1	Kontaktsicherung <td>PA66-GF35</td> <td>violett/VIOLET</td> <td>2</td>	PA66-GF35	violett/VIOLET	2
	2-1670918-1	2-1564559-4	1564559 (2-1564560-4)	A <td>B <td>I</td> <td>Stiftgehaeuse 4pol. MALE HOUSING 4POS.</td> <td>1</td> <td>Kontaktsicherung <td>PA66-GF35</td> <td>violett/VIOLET</td> <td>2</td> </td></td>	B <td>I</td> <td>Stiftgehaeuse 4pol. MALE HOUSING 4POS.</td> <td>1</td> <td>Kontaktsicherung <td>PA66-GF35</td> <td>violett/VIOLET</td> <td>2</td> </td>	I	Stiftgehaeuse 4pol. MALE HOUSING 4POS.	1	Kontaktsicherung <td>PA66-GF35</td> <td>violett/VIOLET</td> <td>2</td>	PA66-GF35	violett/VIOLET	2
	1-1670918-1	1-1564559-4	1564559 (1-1564560-4)	A <td>A <td>I</td> <td>Stiftgehaeuse 4pol. MALE HOUSING 4POS.</td> <td>1</td> <td>Kontaktsicherung <td>PA66-GF35</td> <td>violett/VIOLET</td> <td>2</td> </td></td>	A <td>I</td> <td>Stiftgehaeuse 4pol. MALE HOUSING 4POS.</td> <td>1</td> <td>Kontaktsicherung <td>PA66-GF35</td> <td>violett/VIOLET</td> <td>2</td> </td>	I	Stiftgehaeuse 4pol. MALE HOUSING 4POS.	1	Kontaktsicherung <td>PA66-GF35</td> <td>violett/VIOLET</td> <td>2</td>	PA66-GF35	violett/VIOLET	2
				A <td>Z <td>I</td> <td>Stiftgehaeuse 4pol. MALE HOUSING 4POS.</td> <td>1</td> <td>Kontaktsicherung <td>PBT-GF30</td> <td>schwarz/BLACK</td> <td>1z</td> </td></td>	Z <td>I</td> <td>Stiftgehaeuse 4pol. MALE HOUSING 4POS.</td> <td>1</td> <td>Kontaktsicherung <td>PBT-GF30</td> <td>schwarz/BLACK</td> <td>1z</td> </td>	I	Stiftgehaeuse 4pol. MALE HOUSING 4POS.	1	Kontaktsicherung <td>PBT-GF30</td> <td>schwarz/BLACK</td> <td>1z</td>	PBT-GF30	schwarz/BLACK	1z
		4-1564559-1		A <td>D <td>I</td> <td>Stiftgehaeuse 4pol. MALE HOUSING 4POS.</td> <td>1</td> <td>Kontaktsicherung <td>PA66-GF35</td> <td>violett/VIOLET</td> <td>2</td> </td></td>	D <td>I</td> <td>Stiftgehaeuse 4pol. MALE HOUSING 4POS.</td> <td>1</td> <td>Kontaktsicherung <td>PA66-GF35</td> <td>violett/VIOLET</td> <td>2</td> </td>	I	Stiftgehaeuse 4pol. MALE HOUSING 4POS.	1	Kontaktsicherung <td>PA66-GF35</td> <td>violett/VIOLET</td> <td>2</td>	PA66-GF35	violett/VIOLET	2
		3-1564559-1		A <td>C <td>I</td> <td>Stiftgehaeuse 4pol. MALE HOUSING 4POS.</td> <td>1</td> <td>Kontaktsicherung <td>PA66-GF35</td> <td>violett/VIOLET</td> <td>2</td> </td></td>	C <td>I</td> <td>Stiftgehaeuse 4pol. MALE HOUSING 4POS.</td> <td>1</td> <td>Kontaktsicherung <td>PA66-GF35</td> <td>violett/VIOLET</td> <td>2</td> </td>	I	Stiftgehaeuse 4pol. MALE HOUSING 4POS.	1	Kontaktsicherung <td>PA66-GF35</td> <td>violett/VIOLET</td> <td>2</td>	PA66-GF35	violett/VIOLET	2
	2-1670918-1	2-1564559-1	1564559 (2-1564560-1)	A <td>B <td>I</td> <td>Stiftgehaeuse 4pol. MALE HOUSING 4POS.</td> <td>1</td> <td>Kontaktsicherung <td>PA66-GF35</td> <td>violett/VIOLET</td> <td>2</td> </td></td>	B <td>I</td> <td>Stiftgehaeuse 4pol. MALE HOUSING 4POS.</td> <td>1</td> <td>Kontaktsicherung <td>PA66-GF35</td> <td>violett/VIOLET</td> <td>2</td> </td>	I	Stiftgehaeuse 4pol. MALE HOUSING 4POS.	1	Kontaktsicherung <td>PA66-GF35</td> <td>violett/VIOLET</td> <td>2</td>	PA66-GF35	violett/VIOLET	2
	1-1670918-1	1-1564559-1	1564559 (1-1564560-1)	A <td>A <td>I</td> <td>Stiftgehaeuse 4pol. MALE HOUSING 4POS.</td> <td>1</td> <td>Kontaktsicherung <td>PA66-GF35</td> <td>violett/VIOLET</td> <td>2</td> </td></td>	A <td>I</td> <td>Stiftgehaeuse 4pol. MALE HOUSING 4POS.</td> <td>1</td> <td>Kontaktsicherung <td>PA66-GF35</td> <td>violett/VIOLET</td> <td>2</td> </td>	I	Stiftgehaeuse 4pol. MALE HOUSING 4POS.	1	Kontaktsicherung <td>PA66-GF35</td> <td>violett/VIOLET</td> <td>2</td>	PA66-GF35	violett/VIOLET	2

REGRIND MAX. 25%

THIS DRAWING IS A CONTROLLED DOCUMENT.

DATE: 07 JUL 2008
 LOECSE: 07 JUL 2008
 CH: 07 JUL 2008
 H: 07 JUL 2008
 G: 08 JUL 2008

DIMENSIONS: (mm)
 0 P L C 0.5
 1 P L C 0.5
 2 P L C 0.5
 3 P L C 0.5
 4 P L C 0.5

TE Connectivity
 MALE HOUSING, 4Pos., MCON 1.2 SEALED TOP / SIDE LATCH
 Stiftgehaeuse, 4pol., MCON 1.2 gedichtet

SCALE: 5:1
 SHEET: 1 OF 1
 REV: AB