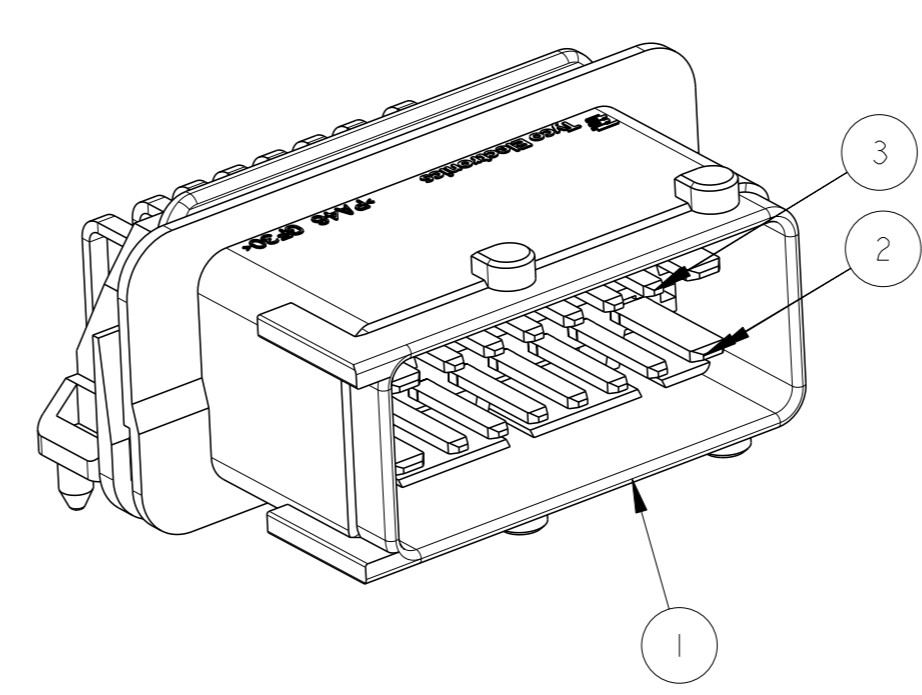
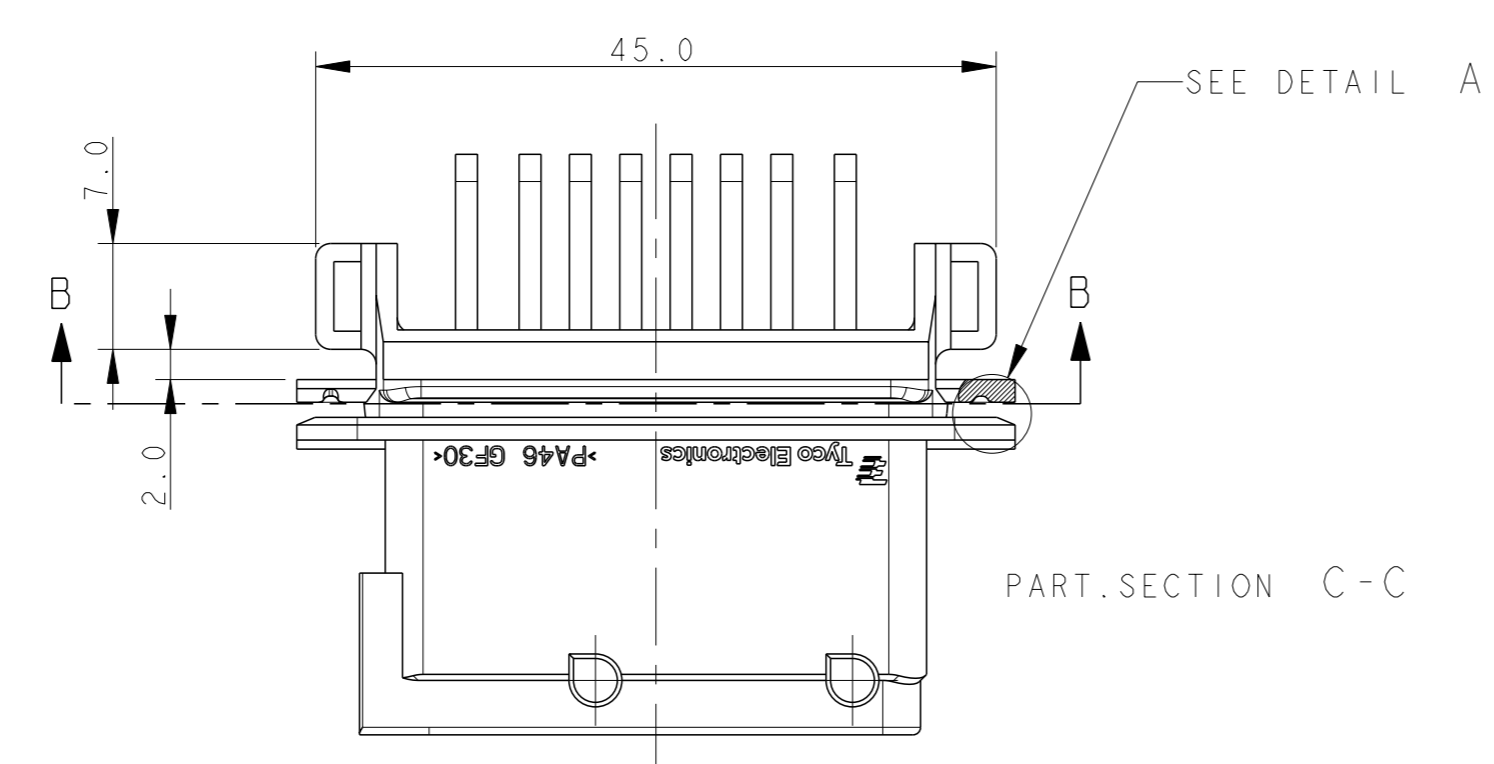
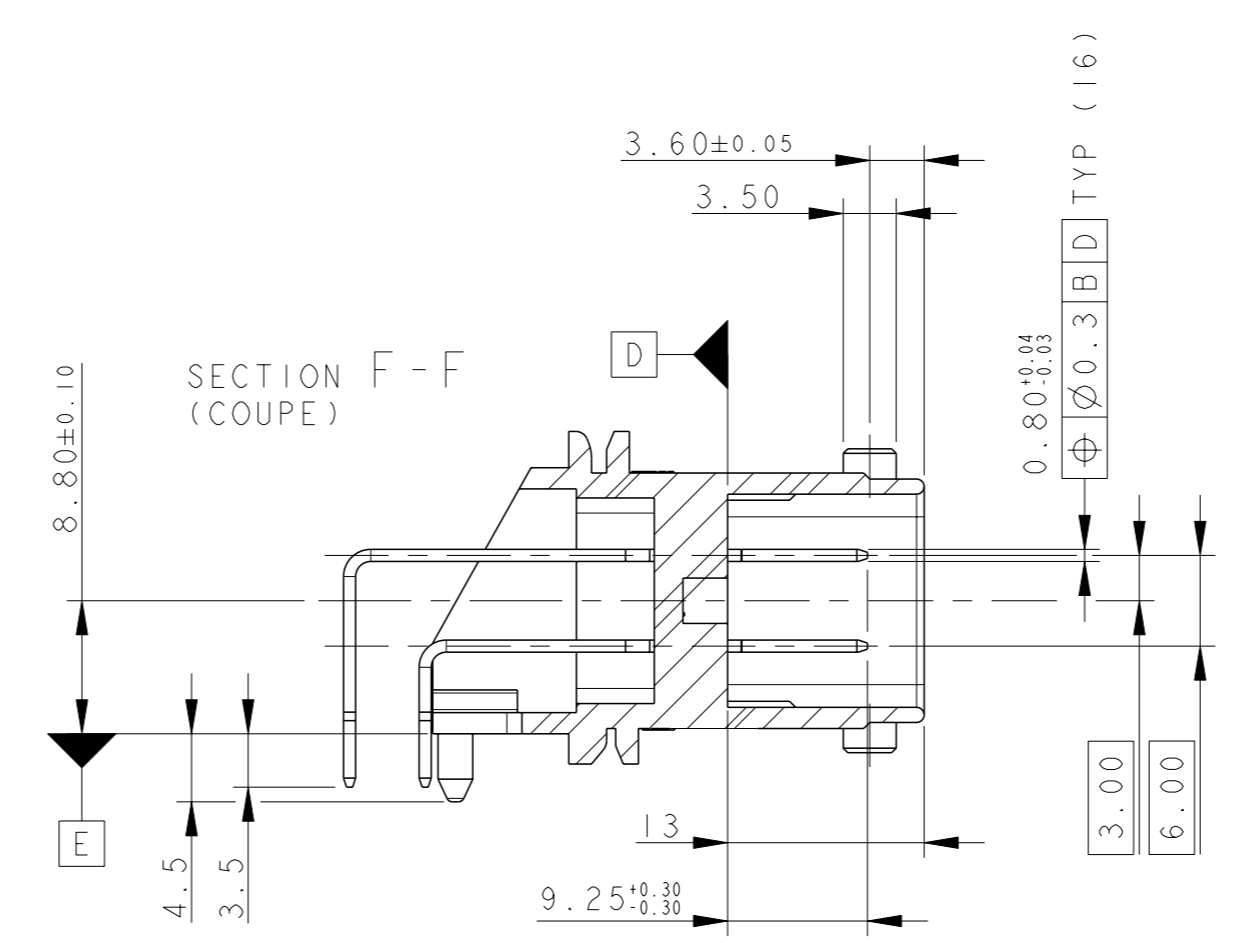
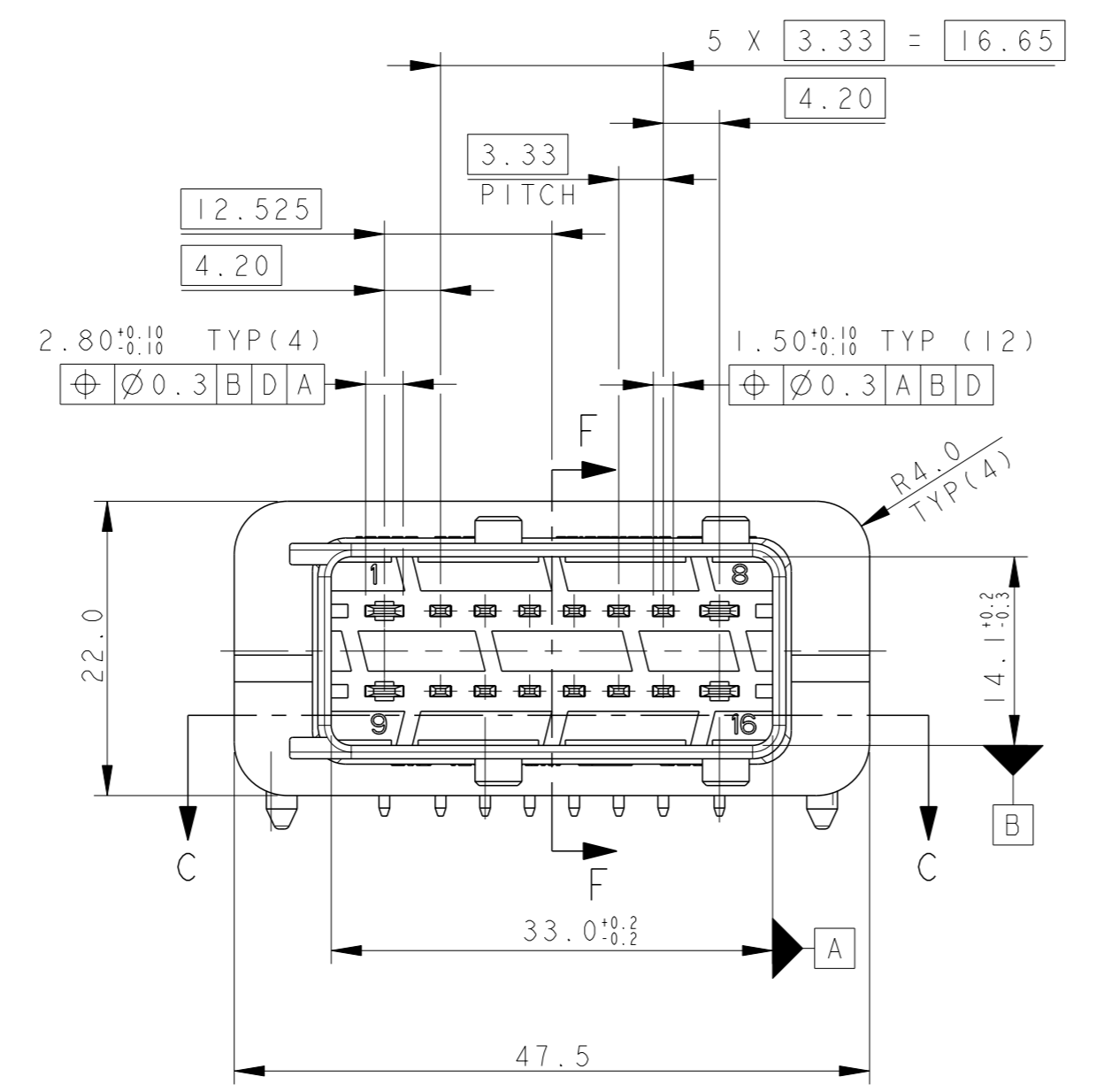
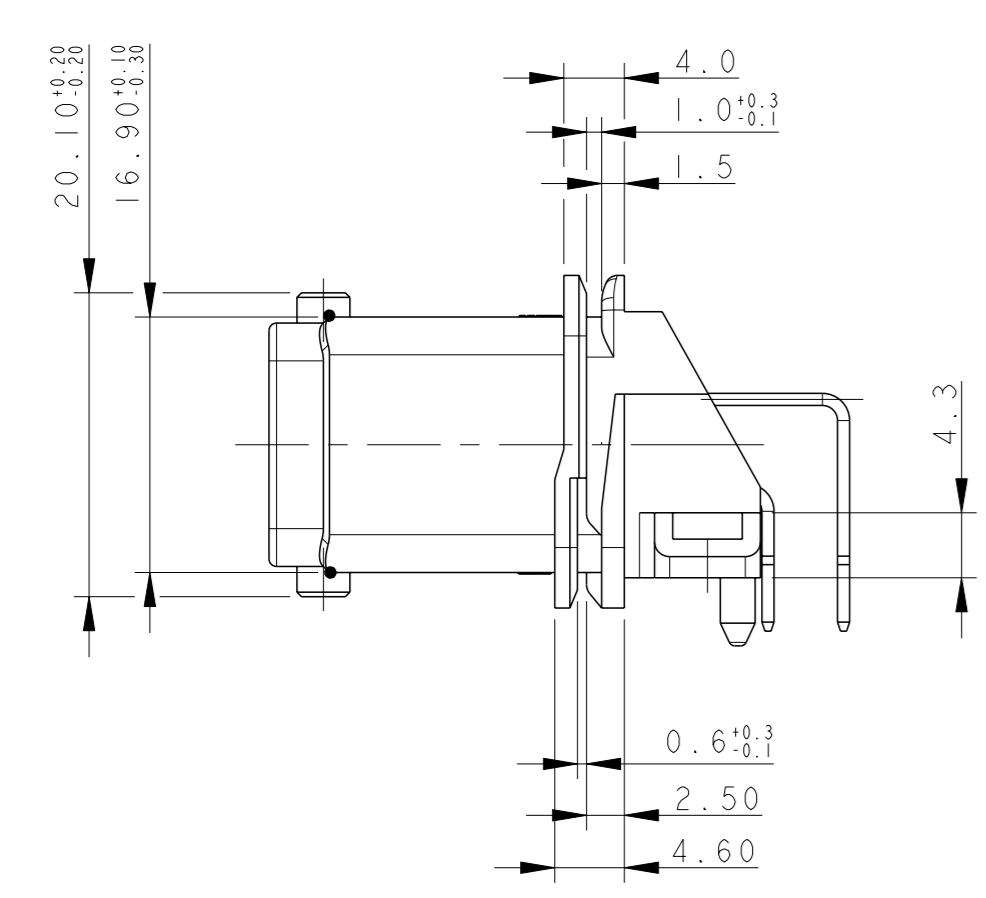
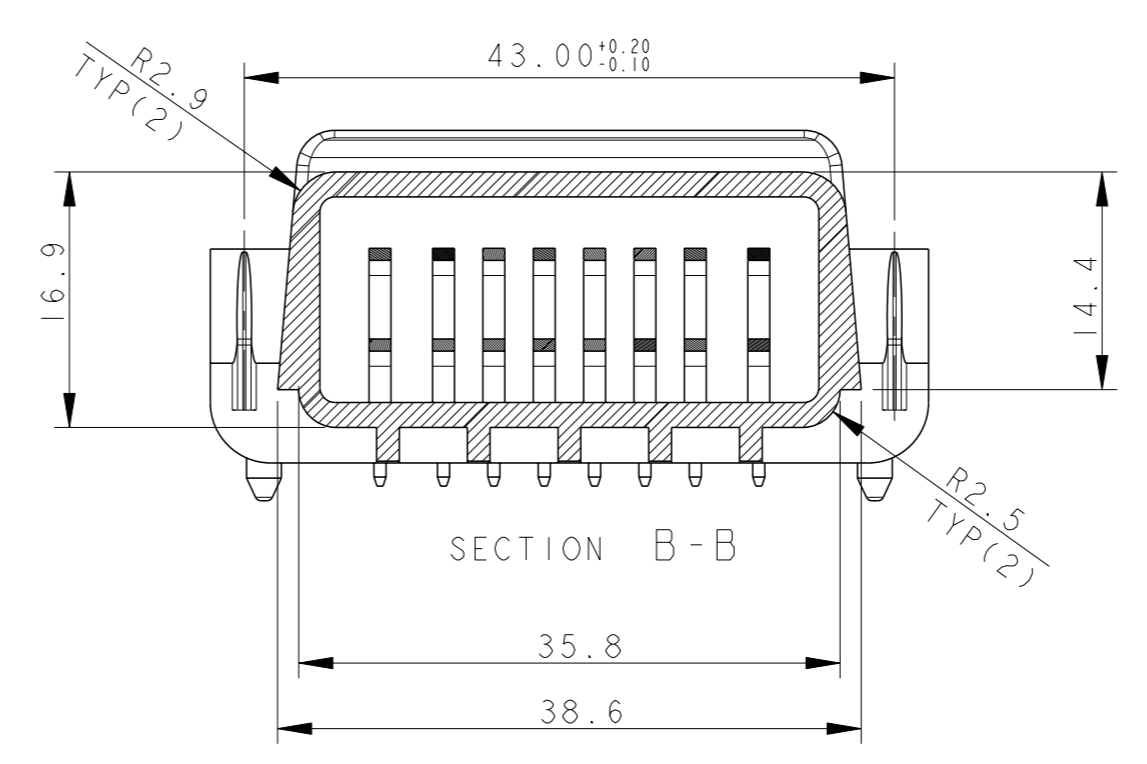
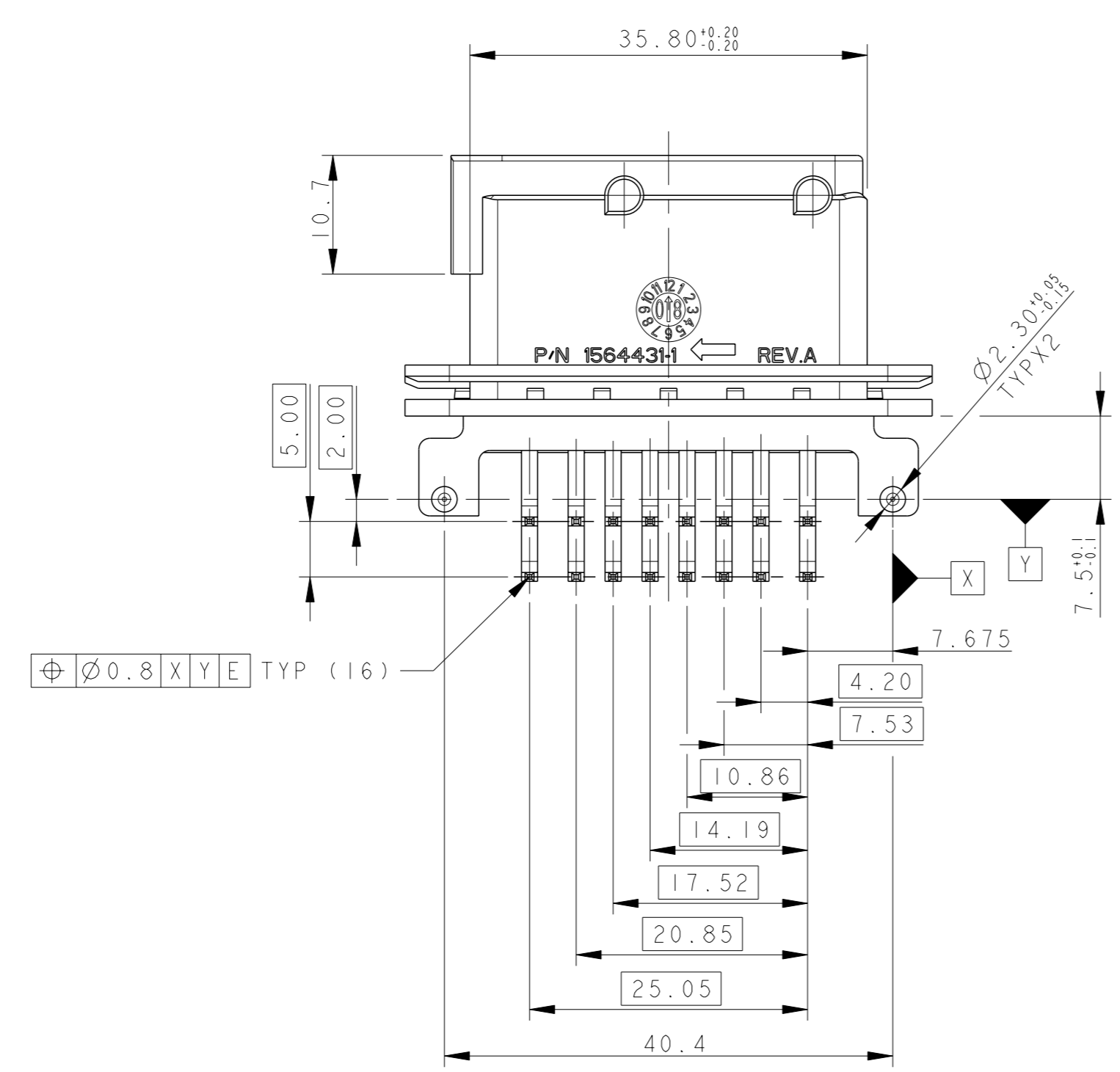
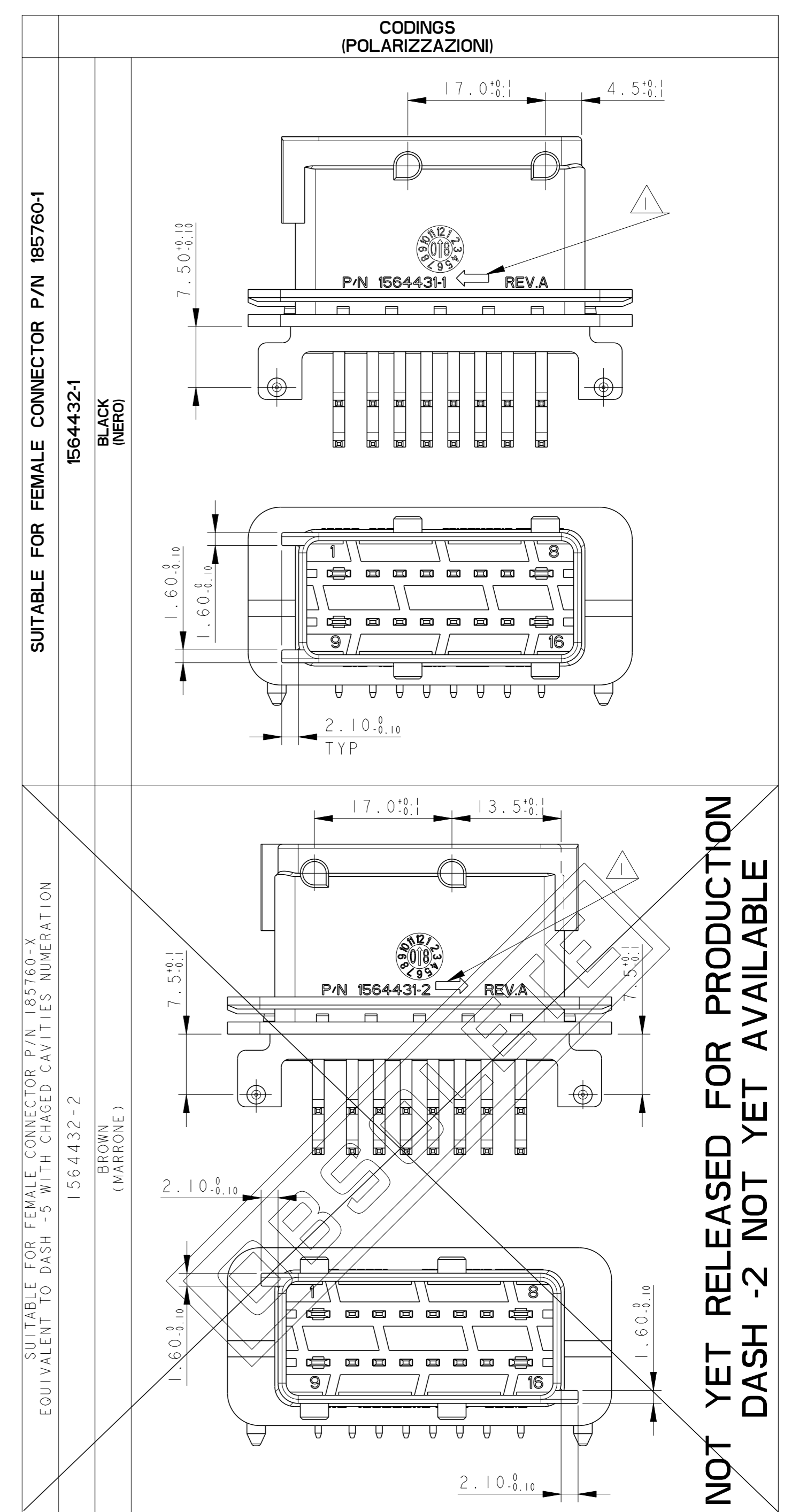


LOC	DIST	REVISIONS				
		REV	DESCRIPTION	DATE	OWN	APVD
		A1	REVISED PER ECO-19-005875	15APR2018	AP	VN

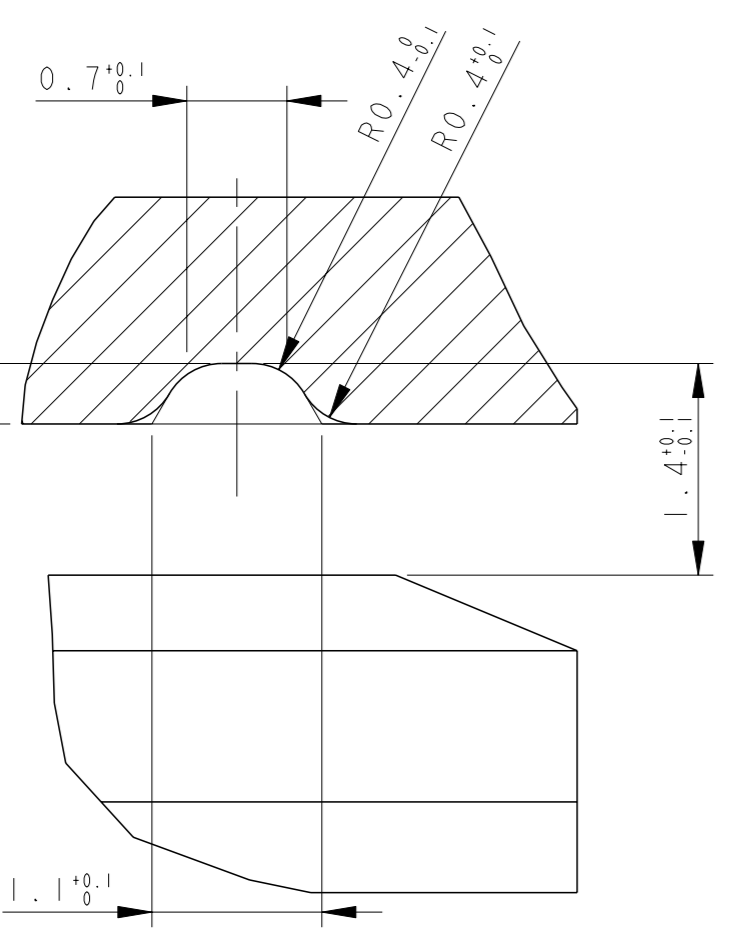


P/N 1564432-1 AS SHOWN (WAS PROPOSAL 08-51080-1)



NOT YET RELEASED FOR PRODUCTION
 DASH -2 NOT YET AVAILABLE

△ SLIDE OPENING DIRECTION
 (DIREZIONE DI APERTURA DELLA SLITTA)



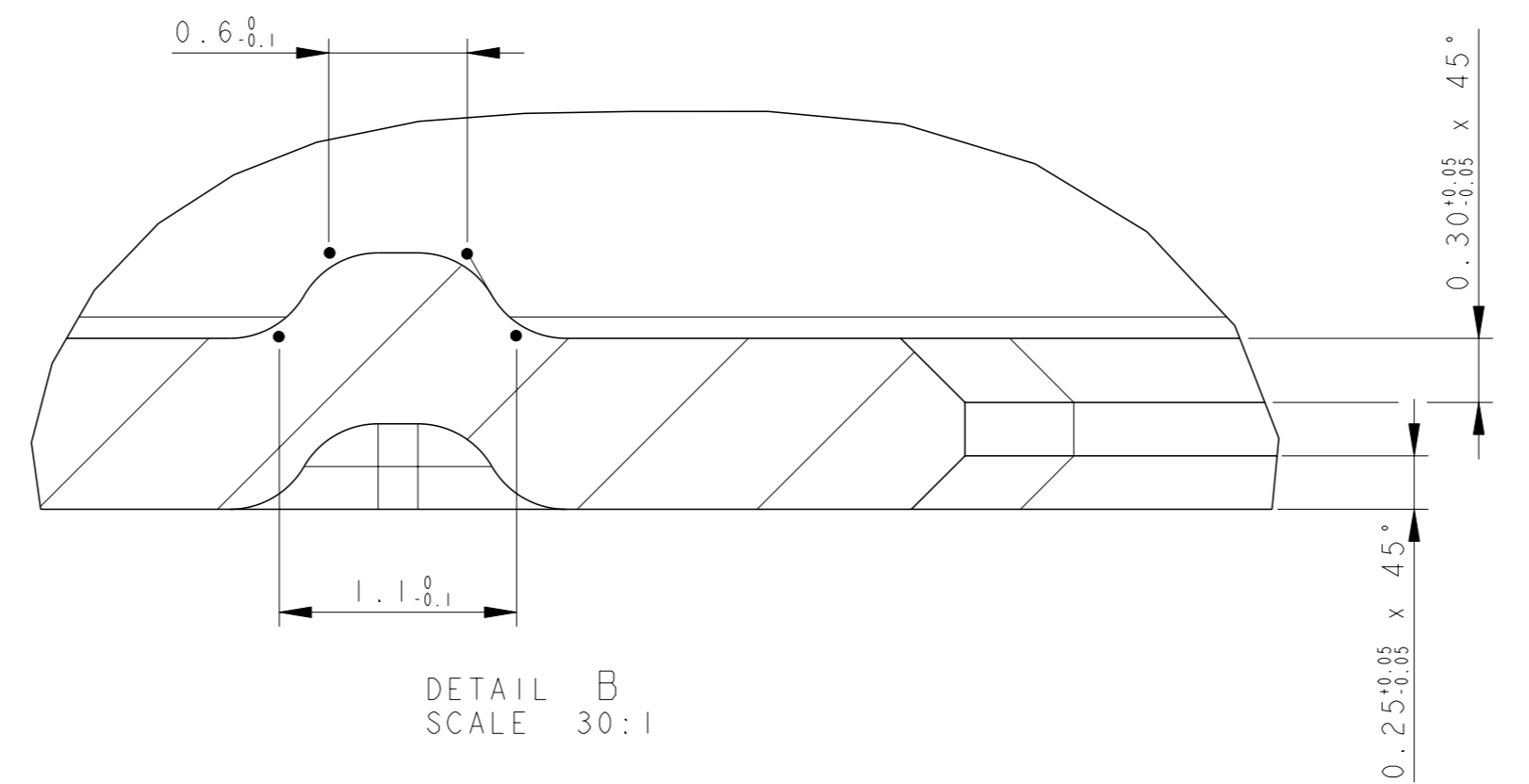
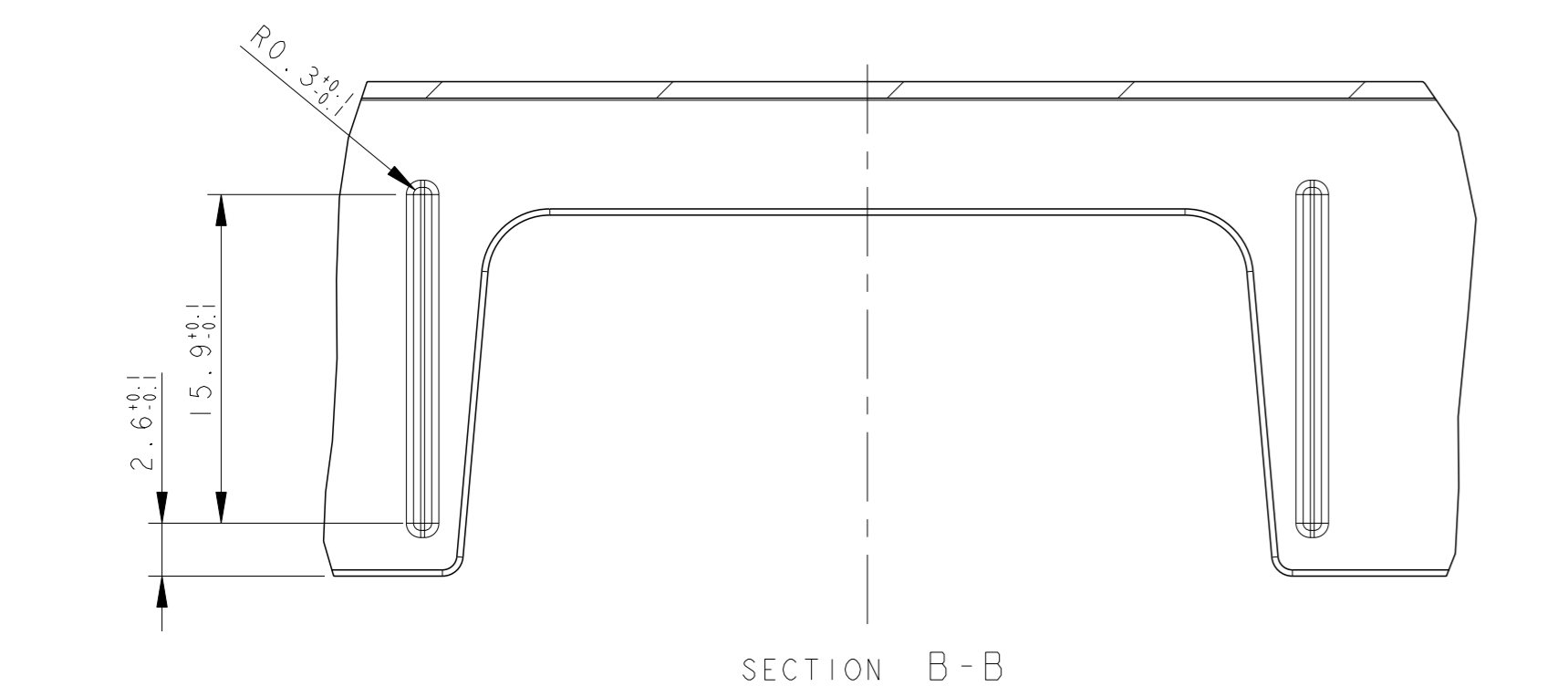
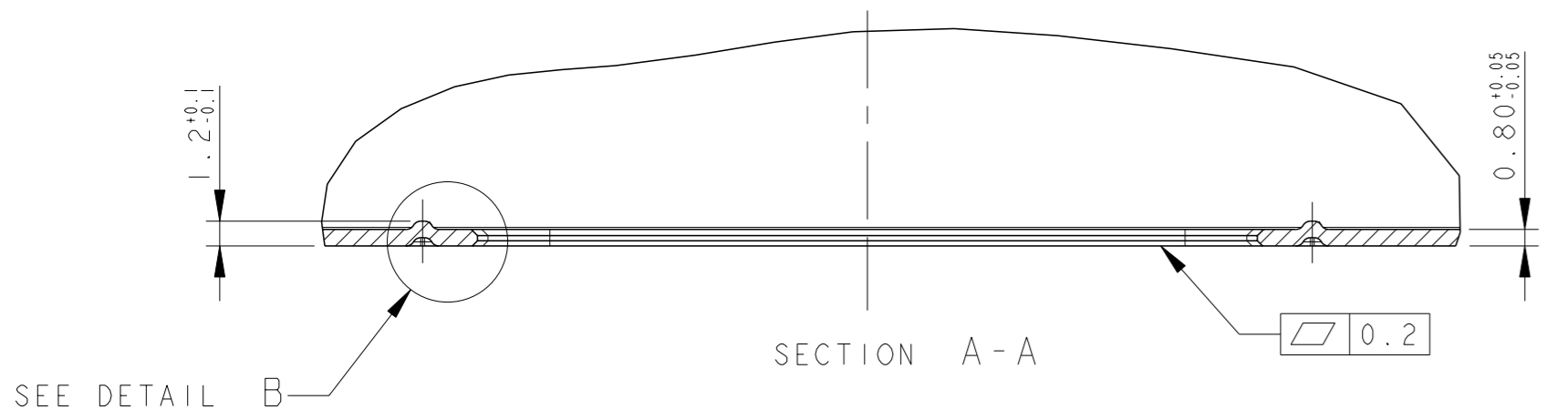
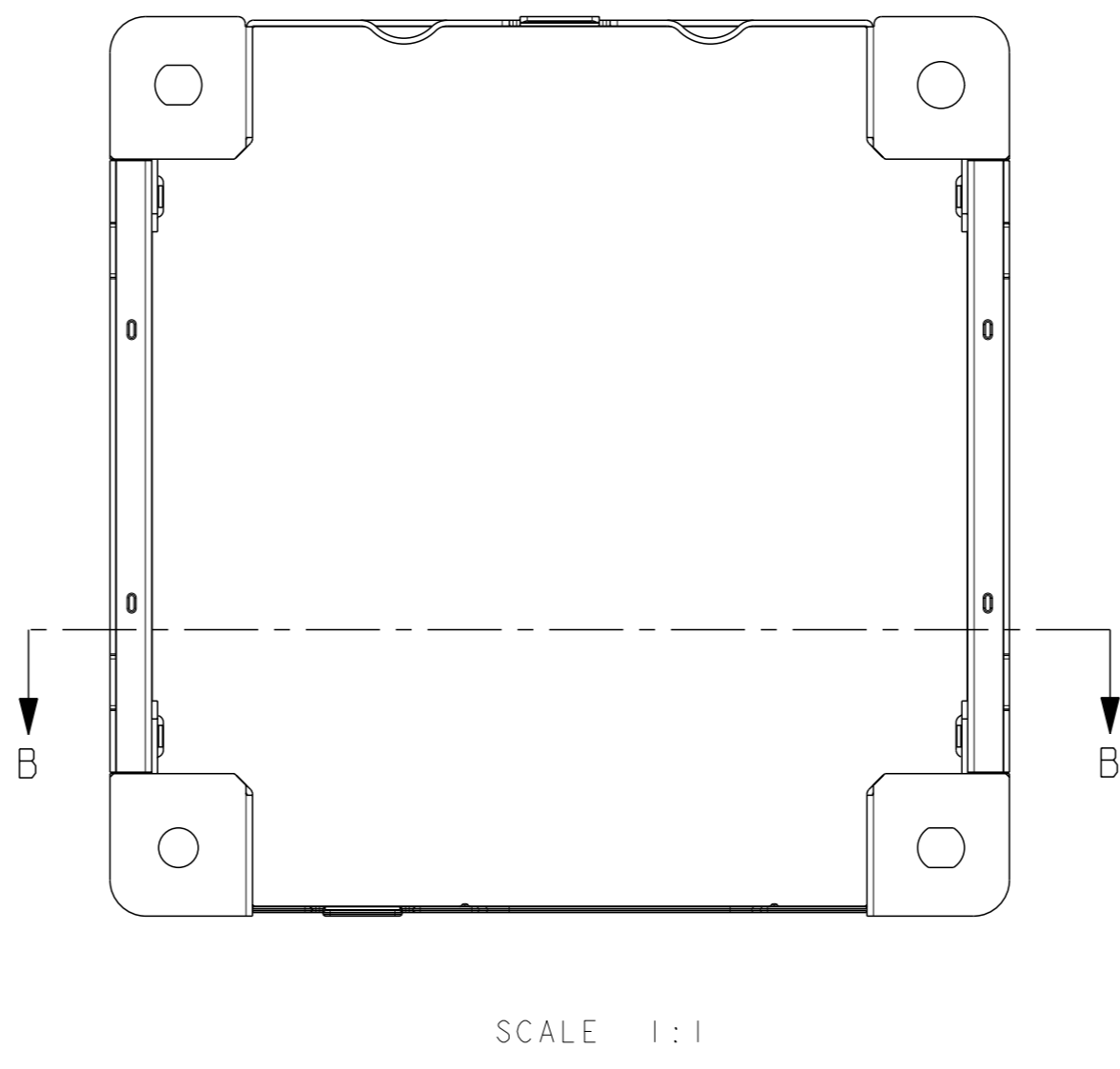
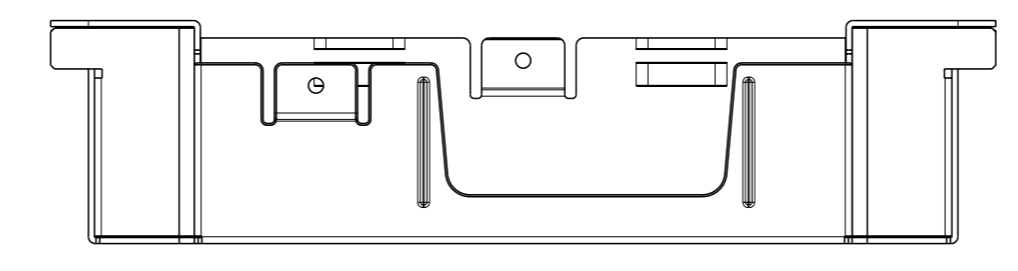
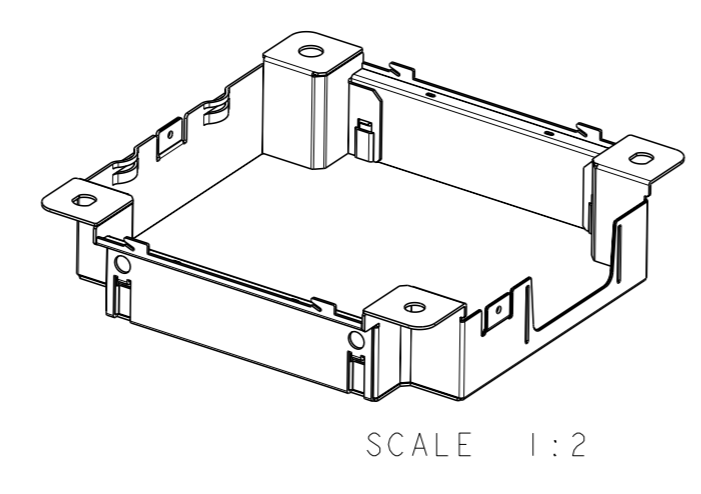
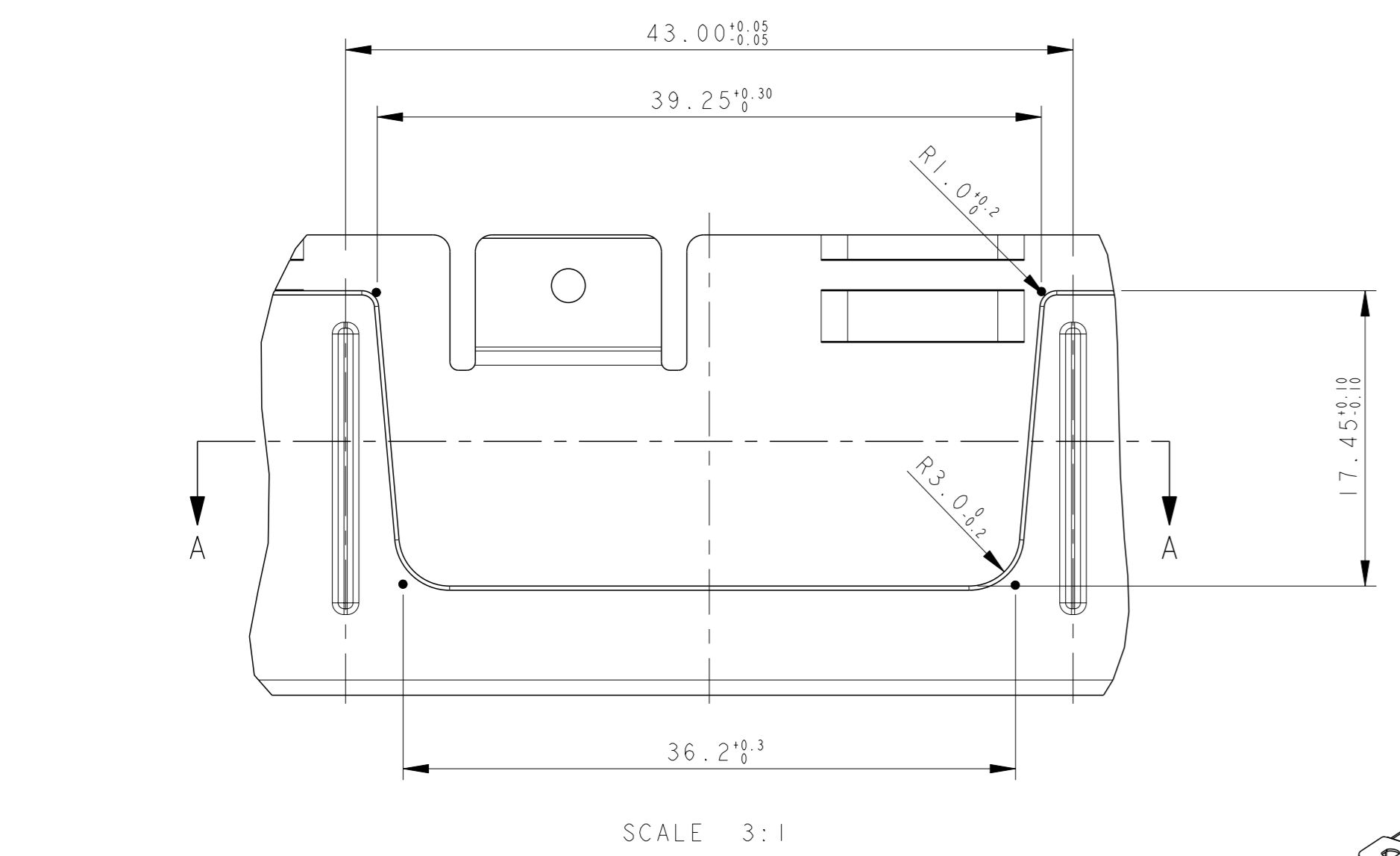
DETAIL A
 SCALE 20:1

ITEM (NUM.)	QTY (QTE)	PLATING	MATERIAL (MATERIALE)	DESCRIPTION
3	12	POST-TIN (POST-STAGNATO)	BRASS (OTTONE)	TAB 15 X 0.8
2	4	POST-TIN (POST-STAGNATO)	BRASS (OTTONE)	TAB 2.8 X 0.8
1	1	-	PA46 GF	16 W HOUSING (BLOCCETTO)

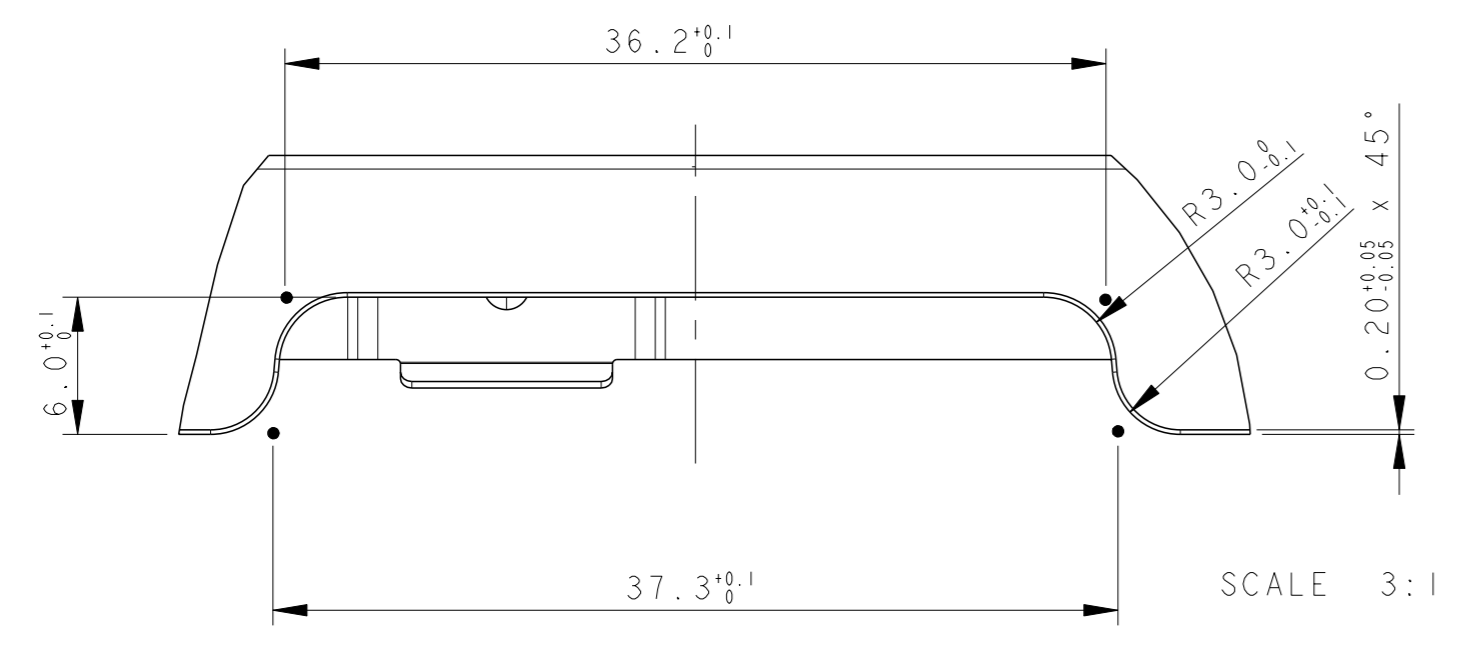
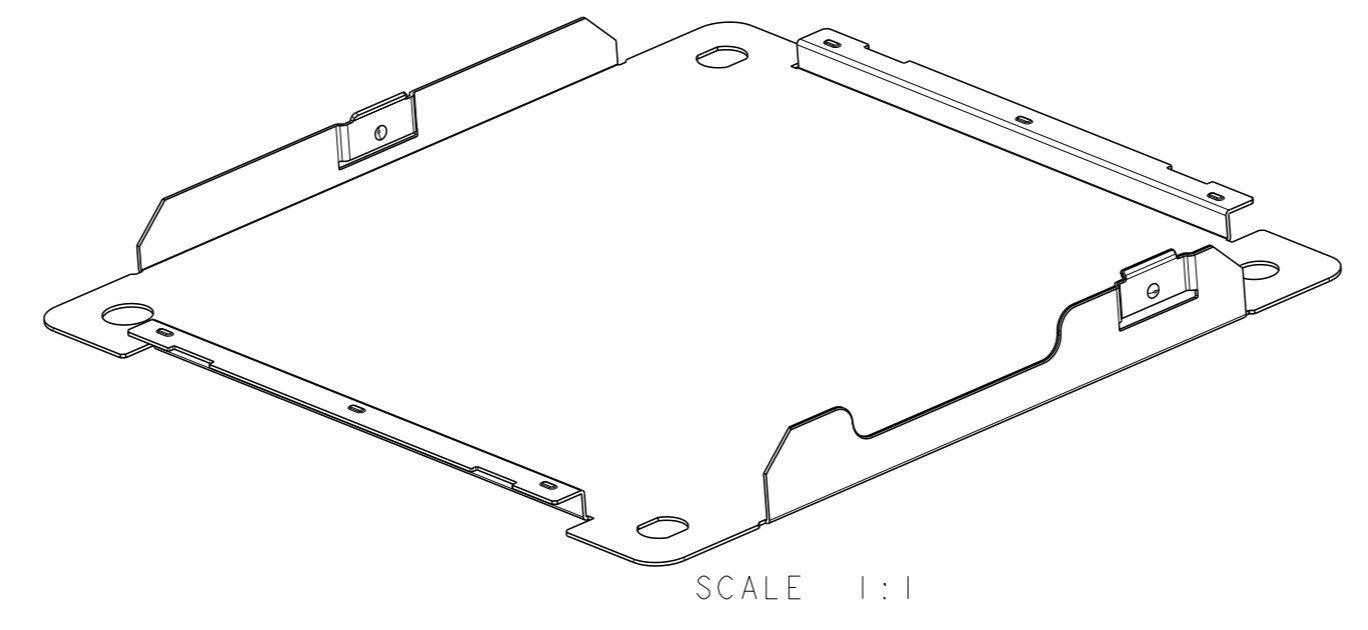
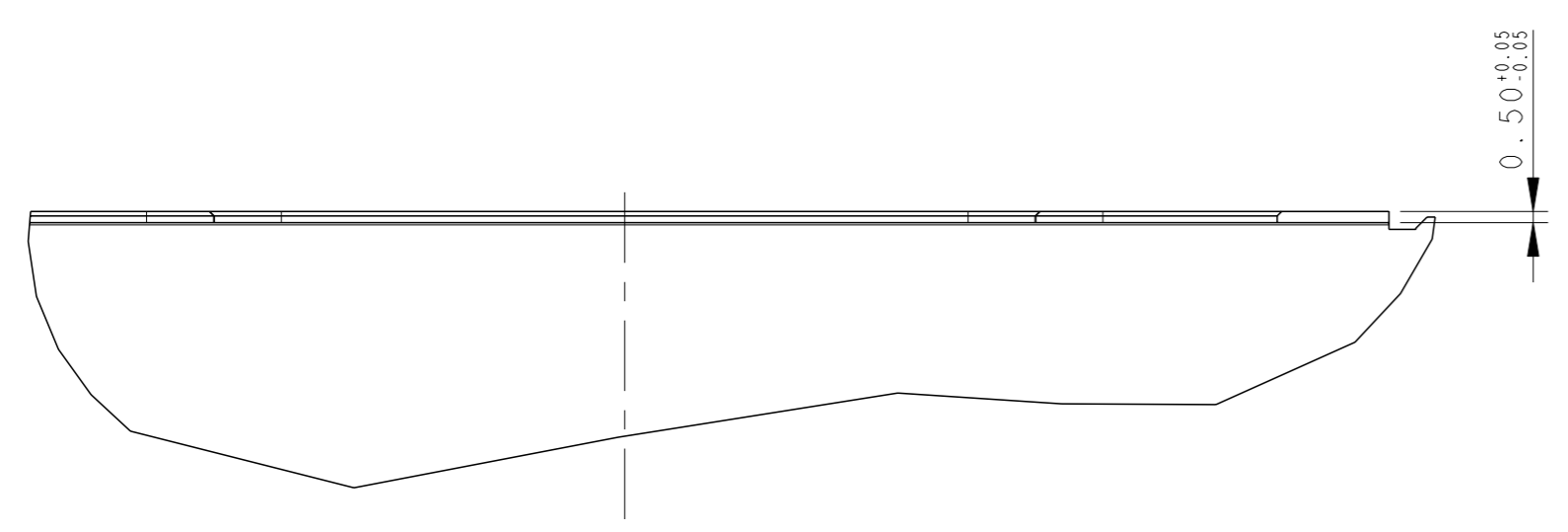
THIS DRAWING IS A CONTROLLED DOCUMENT.		OWN: A. BRICCCARELLO 13MAR2008	TE Connectivity
DIMENSIONS: mm		CHK: O. CANUTO 13MAR2008	
TOLERANCES UNLESS OTHERWISE SPECIFIED:		APVD: A. GENTA 13MAG2008	NAME: 16 POS. HYBRID HEADER
0 PLC ±0.5 1 PLC ±0.3 2 PLC ±0.2 3 PLC ±0.2 4 PLC ±0.2 ANGLES FINISH ±0.1		PRODUCT SPEC: 108-20300	RESTRICTED TO: A100779C=1564432
MATERIAL: -		WEIGHT: -	SCALE: 2:1 SHEET 1 OF 3 REV: A12
CUSTOMER DRAWING		SCALE: 2:1 SHEET 1 OF 3 REV: A12	

LOC	DIST	REV	DESCRIPTION	DATE	OWN	APVD
			SEE SHEET 1			

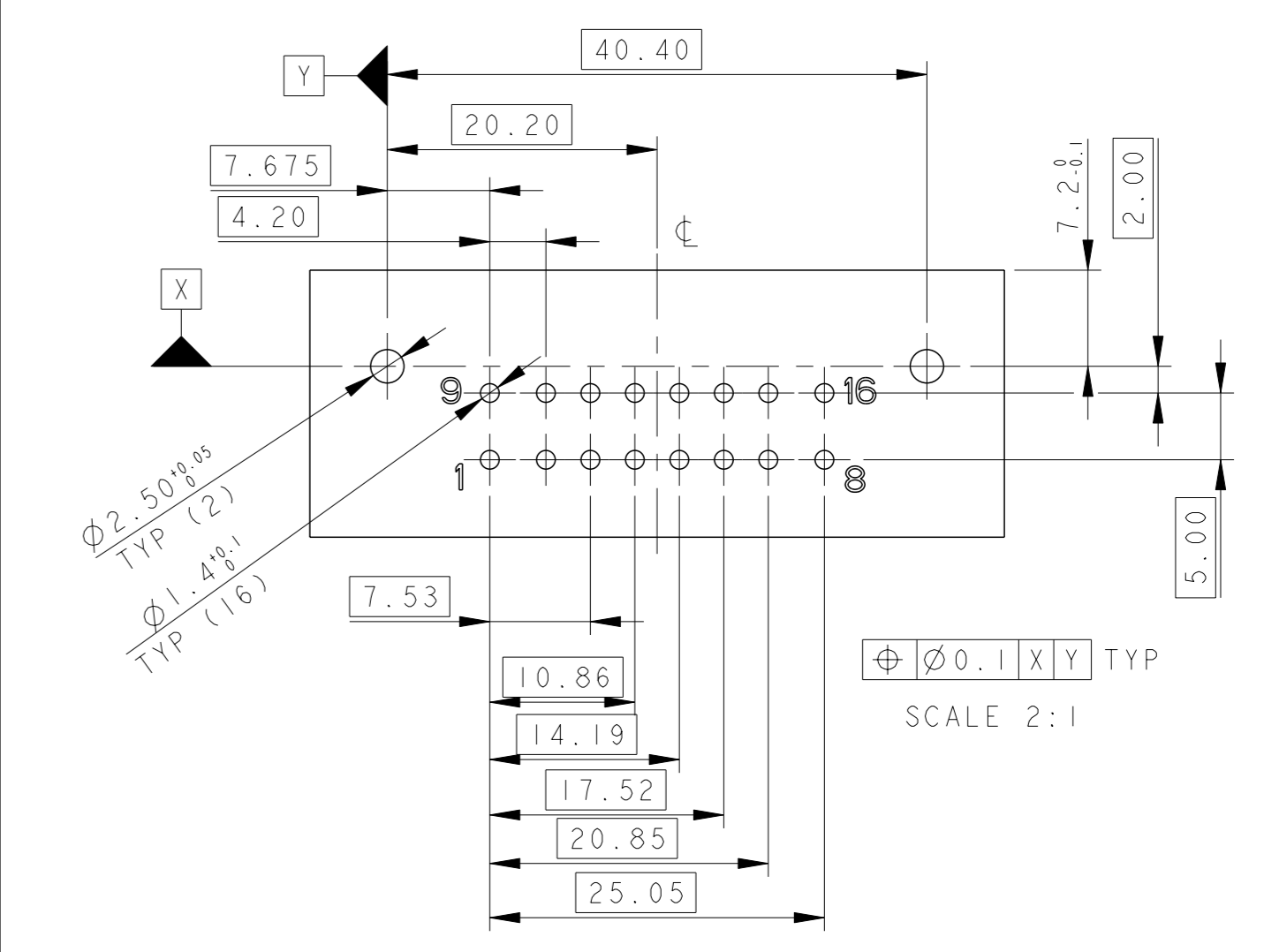
BASE BOX



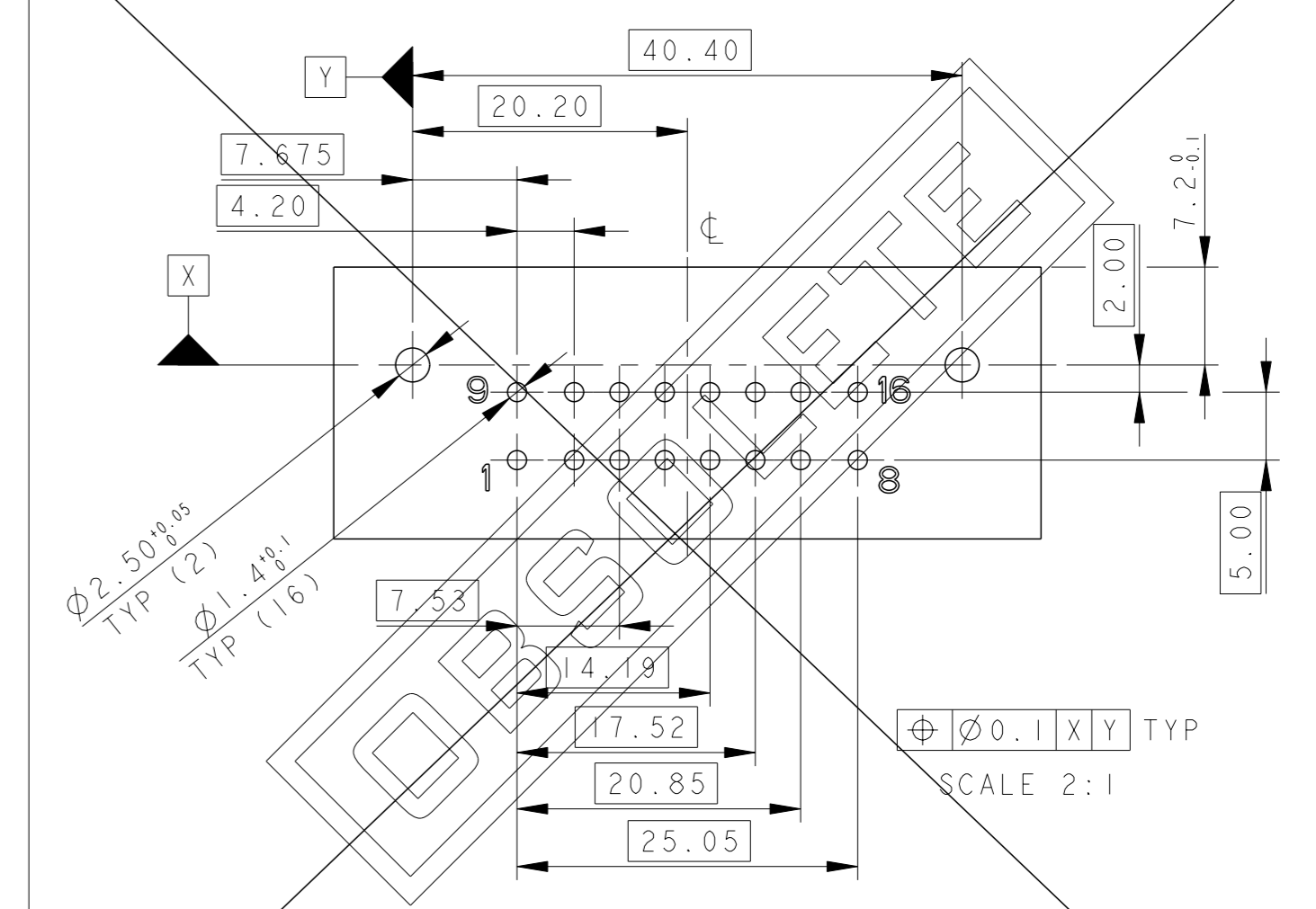
COVER BOX



PCB LAYOUT VIEW FROM OPPOSITE SIDE OF HEADER MOUNTING



1564432-1



HEADER NOT YET AVAILABLE

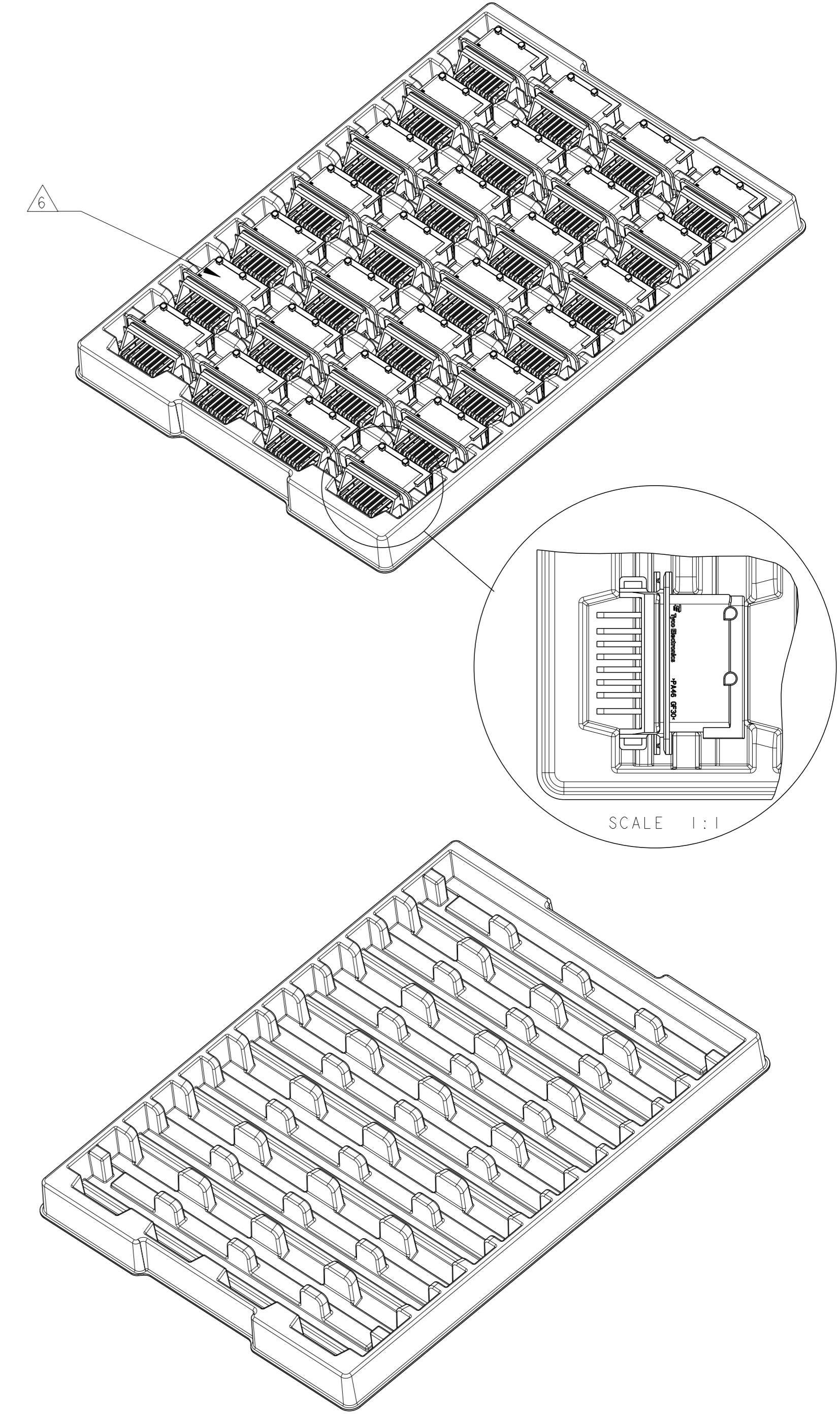
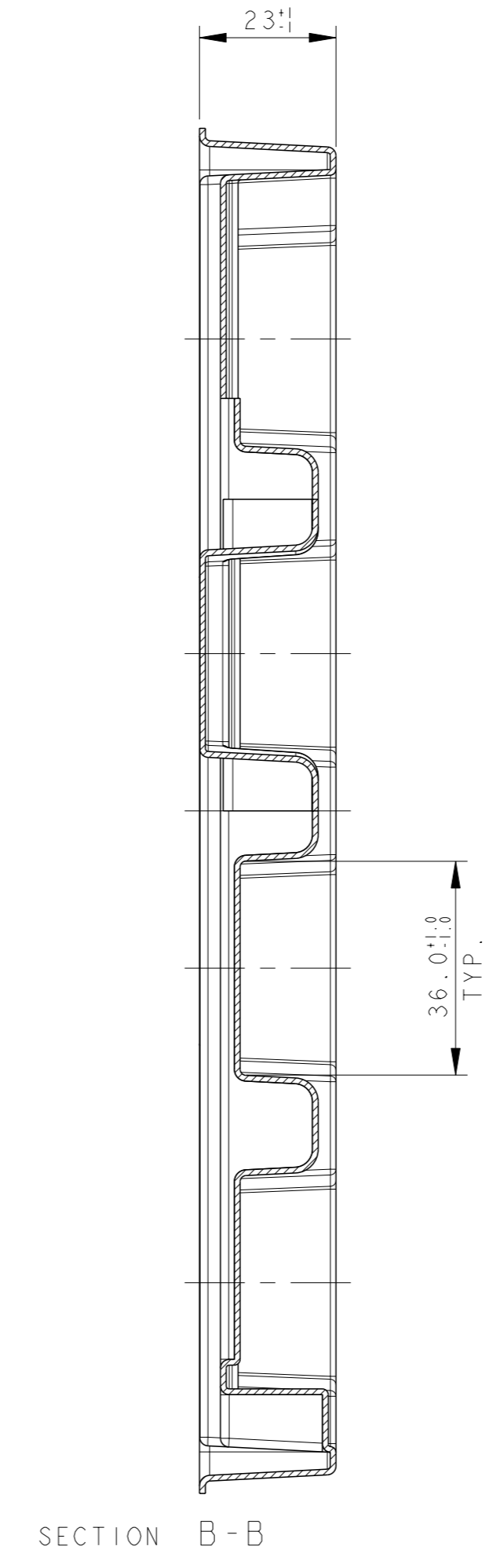
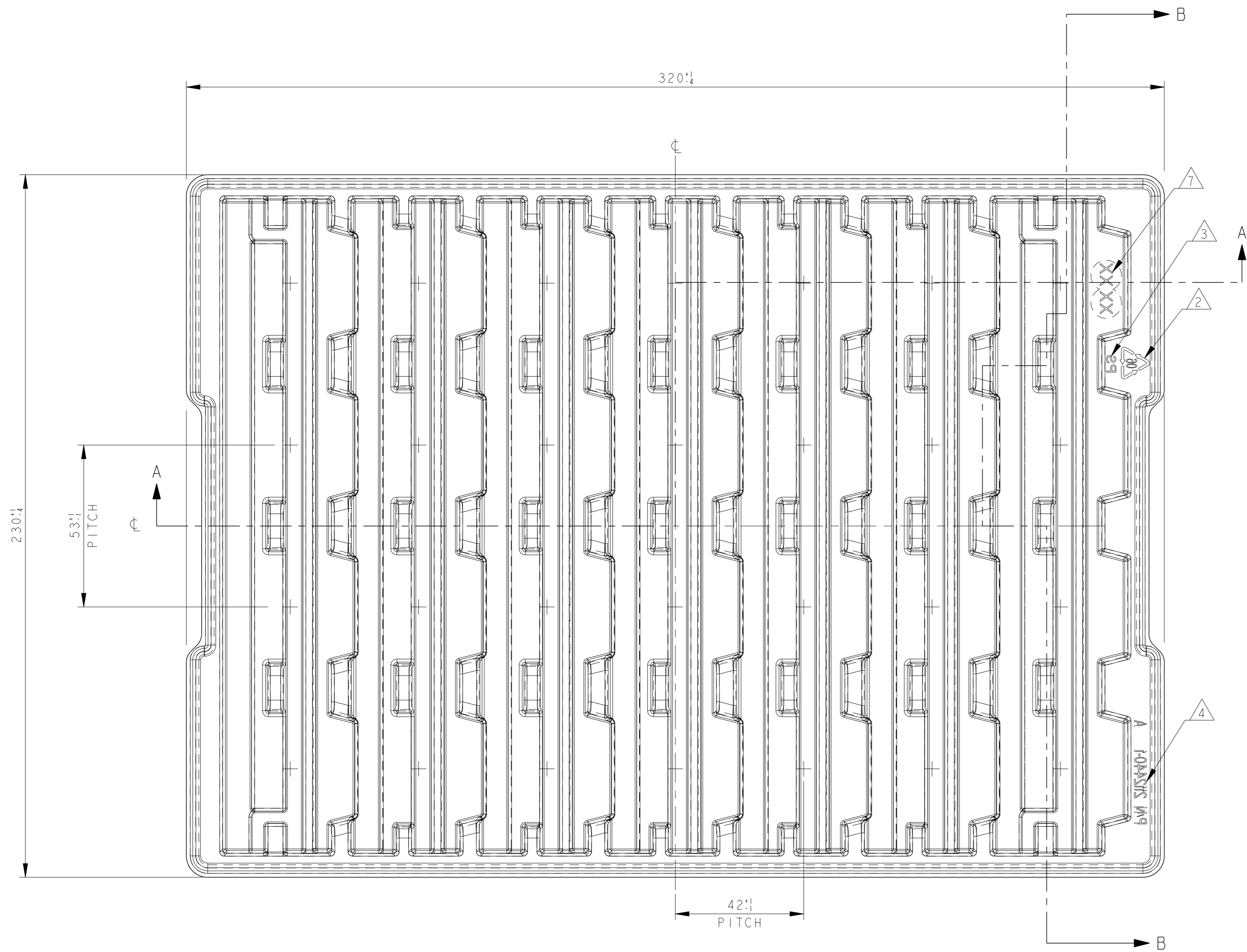
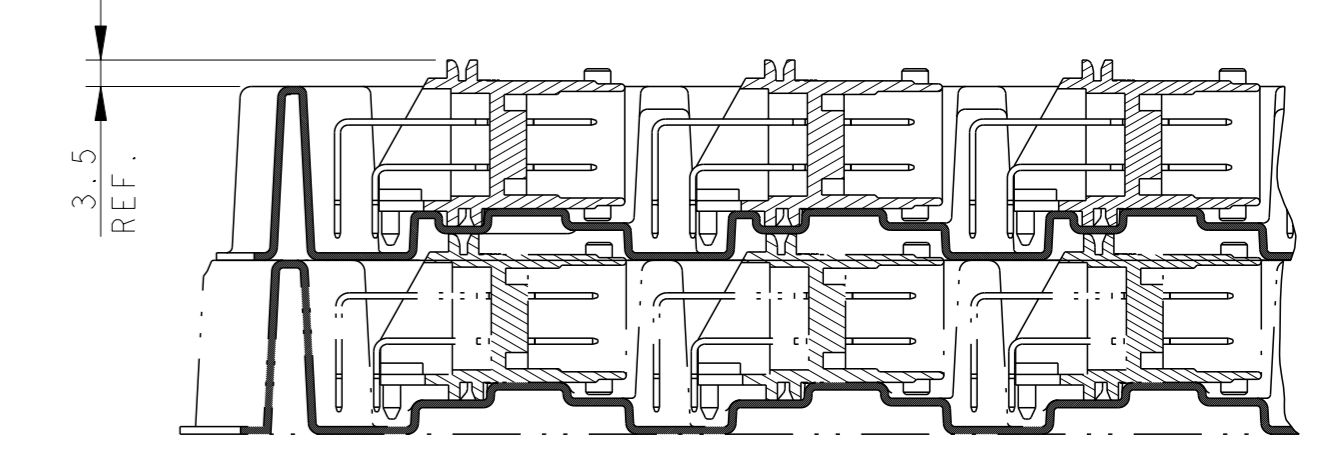
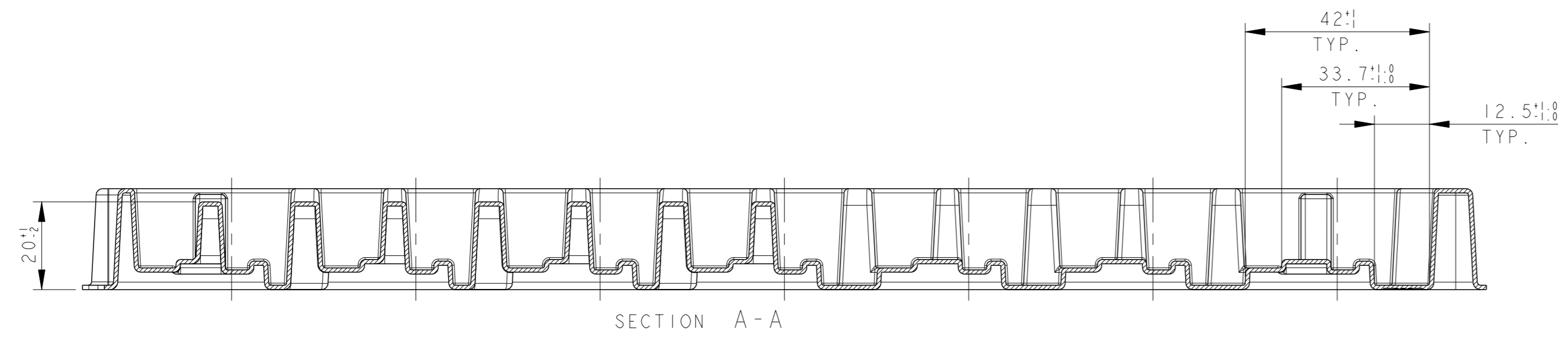
1564432-2

THIS DRAWING IS A CONTROLLED DOCUMENT.		OWN A. BRICCCARELLO 3MAR2008	APVD A. GENTA 13MAG2008	NAME 16 POS. HYBRID HEADER
DIMENSIONS: mm		TOLERANCES UNLESS OTHERWISE SPECIFIED: 0 PLC ±0.5 1 PLC ±0.3 2 PLC ±0.2 3 PLC ±0.2 4 PLC ±0.2 ANGLES ±1°		PRODUCT SPEC 108-20300 APPLICATION SPEC
MATERIAL		FINISH	WEIGHT	SIZE A100779C=1564432
CUSTOMER DRAWING		SCALE 2:1	SHEET 2 OF 3	RESTRICTED TO

**BLISTER P/N 2112440-1 (NO VENDITA)
 (BLISTER P/N 2112440-1 (NOT FOR SALE))**

LOC	DIST	REVISIONS			
P	LYR	DESCRIPTION	DATE	OWN	APVD
-	-	SEE SHEET 1	-	-	-

**BLISTER COMPLETAMENTE CARICATO CON CONNETTORI
 (BLISTER FULLY LOADED WITH CONNECTORS)**



1) MATERIALE: PS COLORE NERO, SPESSORE PRIMA DELLA TERMOFORMATURA 1,0 mm MIN.

1) MATERIAL: PS COLOUR BLACK, THICKNESS 1 mm MIN BEFORE THERMOFORMING PROCESS.

△ SIMBOLO PER RICICLABILITA'

△ RECYCLABILITY SYMBOL

△ MARCHIO PER IDENTIFICAZIONE DEL MATERIALE

△ MATERIAL IDENTIFICATION MARKING

△ TE CONNECTIVITY P/N E REVISIONE

△ TE CONNECTIVITY P/N AND REVISION

5) VEDERE SPECIFICA DI CONFEZIONAMENTO 107-20282

5) SEE PACKAGING SPEC. 107-20282

△ BLISTER ADATTO PER 28 PRODOTTI FINITI

△ BLISTER SUITABLE FOR 28 FINISHED PARTS

△ DATARIO "MESE-ANNO"

△ DATA CODE "MONTH-YEAR"

THIS DRAWING IS A CONTROLLED DOCUMENT.		OWN: A. BRICCCARELLO 3MAR2008	TE Connectivity NAME: 16 POS. HYBRID HEADER
DIMENSIONS: mm		CHK: O. CANUTO 13MAR2008	
TOLERANCES UNLESS OTHERWISE SPECIFIED:		APVD: A. GENTA 13MAG2008	SIZE: A1
0 PLC ±0.5	1 PLC ±0.3	PRODUCT SPEC	CAGE CODE: 108-20300
2 PLC ±0.2	3 PLC ±0.2	APPLICATION SPEC	DRAWING NO: 100779C=1564432
4 PLC ±	ANGLES ±*	FINISH	RESTRICTED TO
MATERIAL	FINISH	WEIGHT	SCALE: 1:1
CUSTOMER DRAWING		SHEET 3 OF 3	REV: A12