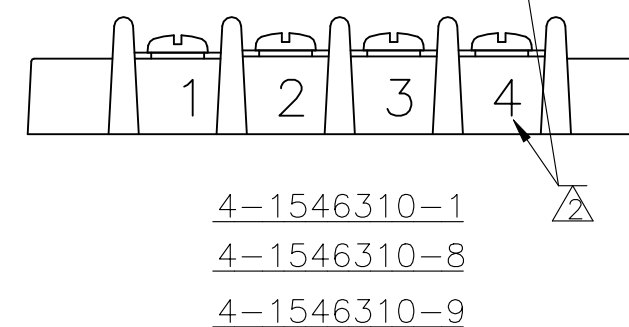
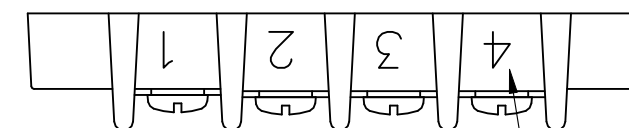
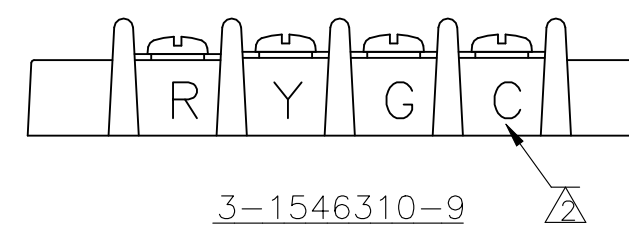
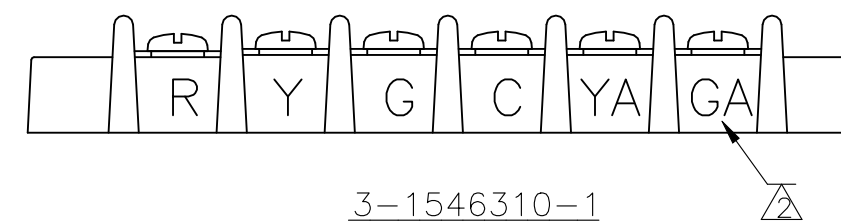
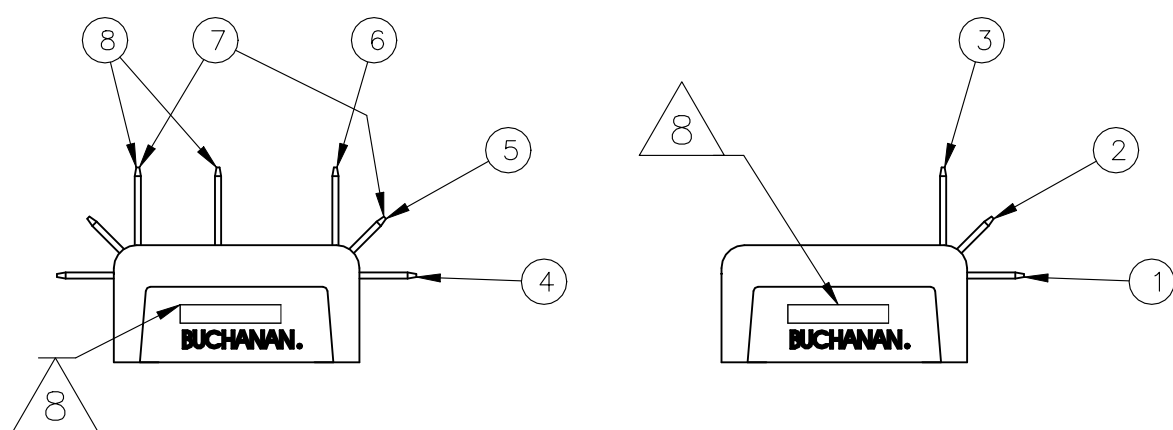
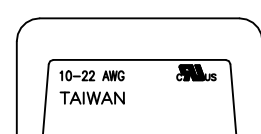
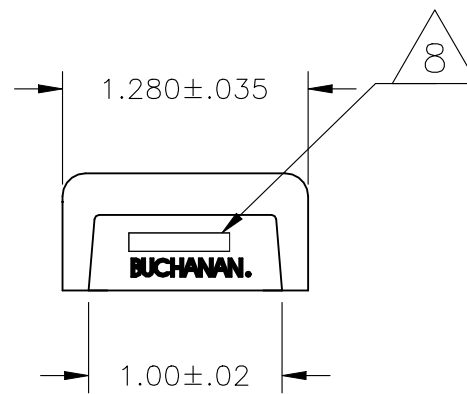
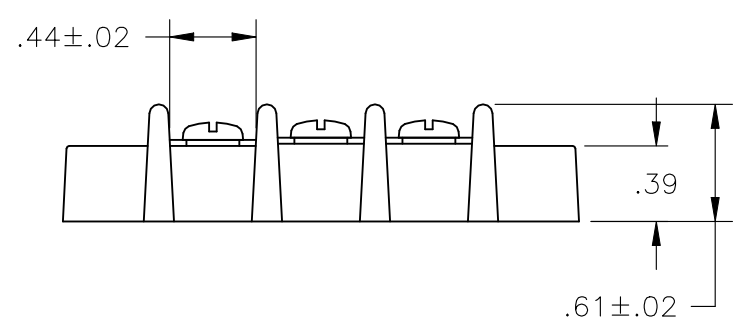
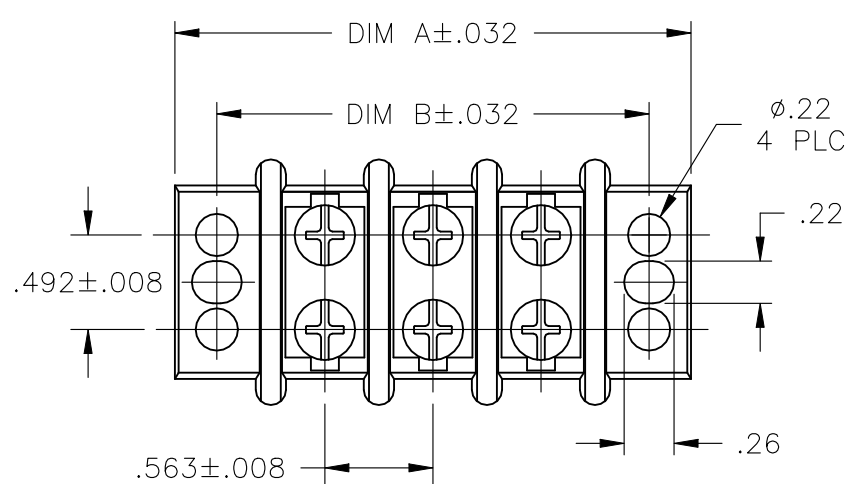




THIS DRAWING IS UNPUBLISHED. RELEASED FOR PUBLICATION  
 © COPYRIGHT - By - ALL RIGHTS RESERVED.

REVISIONS				
P	LTR	DESCRIPTION	DATE	APVD
-	-	SEE SHEET 1	-	-



△	-	-	-	-	-	-	2	-	2	-	1.693	2.130	-	5-1546310-1
-	-	-	-	-	-	-	-	-	-	-	10.701	11.138	18	1-1546310-8
-	-	-	-	-	-	-	-	-	-	-	10.138	10.575	17	1-1546310-7
-	-	-	-	-	-	-	-	-	-	-	9.575	10.012	16	1-1546310-6
-	-	-	-	-	-	-	-	-	-	-	9.012	9.449	15	1-1546310-5
△△△	-	-	-	-	-	-	-	14	14	14	8.449	8.886	14	4-1546310-9
-	-	-	-	-	-	-	-	-	-	-	8.449	8.886	14	1-1546310-4
NOTES	9	8	7	6	5	4	3	2	1		DIM B	DIM A	NO. OF POSN	PART NUMBER
	OTB JUMPER	.250 QC TAB 90° DOUBLE SIDE	.250 QC TAB 90°/45° DOUBLE SIDE	.250 QC TAB 90° DOUBLE SIDE	.250 QC TAB 45° DOUBLE SIDE	.250 QC TAB STRAIGHT DOUBLE SIDE	.250 QC TAB 90° SINGLE SIDE	.250 QC TAB 45° SINGLE SIDE	.250 QC TAB STRAIGHT SINGLE SIDE					

THIS DRAWING IS A CONTROLLED DOCUMENT.

DWN	S SCHLEGEL	16FEB2007
CHK	S YODER	2/16/07
APVD	S YODER	2/16/07
PRODUCT SPEC	-	-
APPLICATION SPEC	-	-
WEIGHT	-	-
CUSTOMER DRAWING	SCALE NTS	SHEET 2 OF 4

TE Connectivity Ltd.

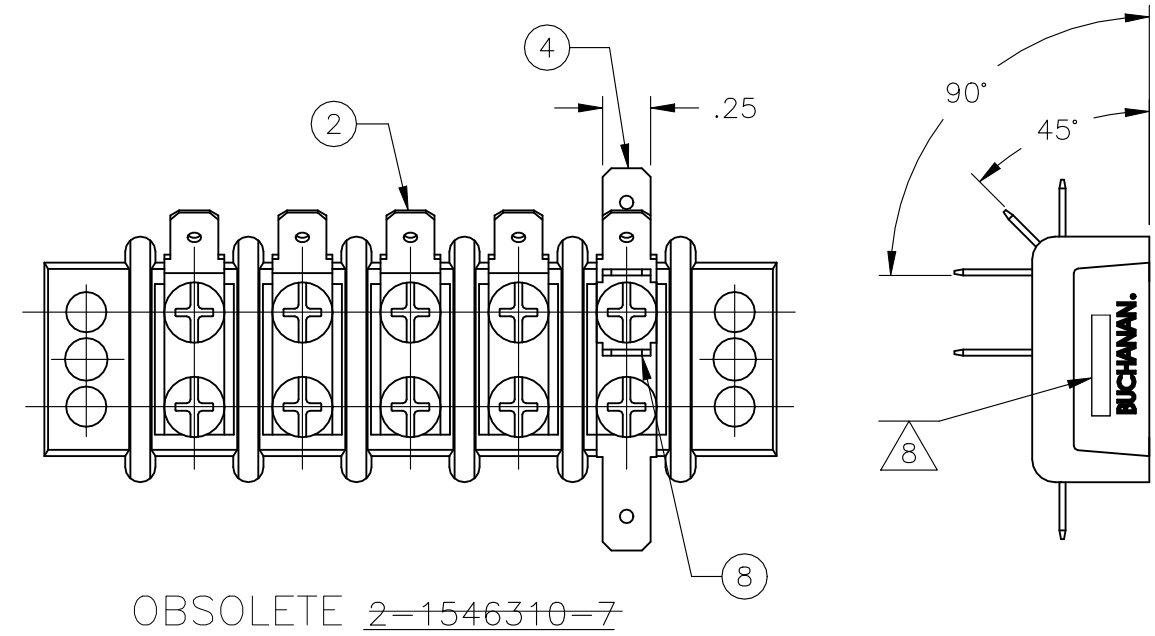
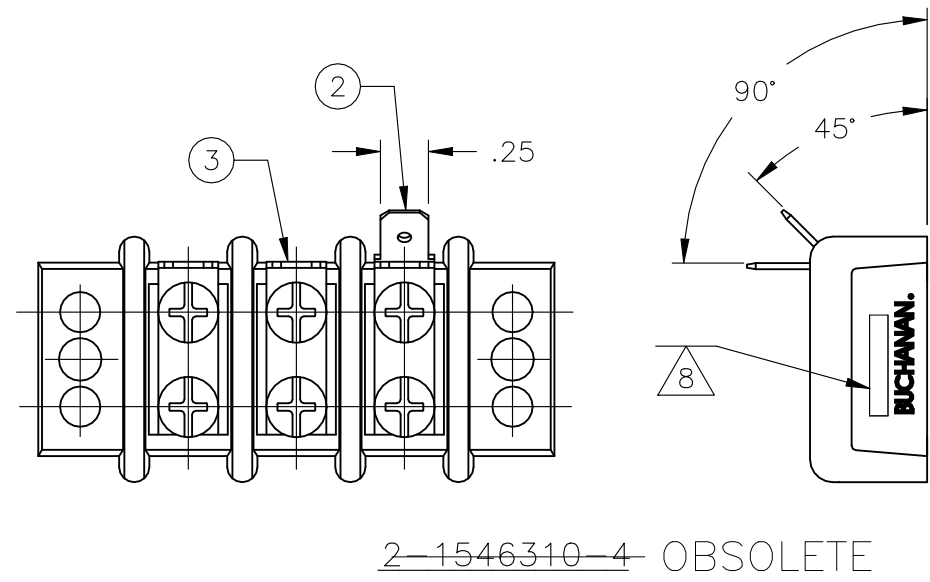
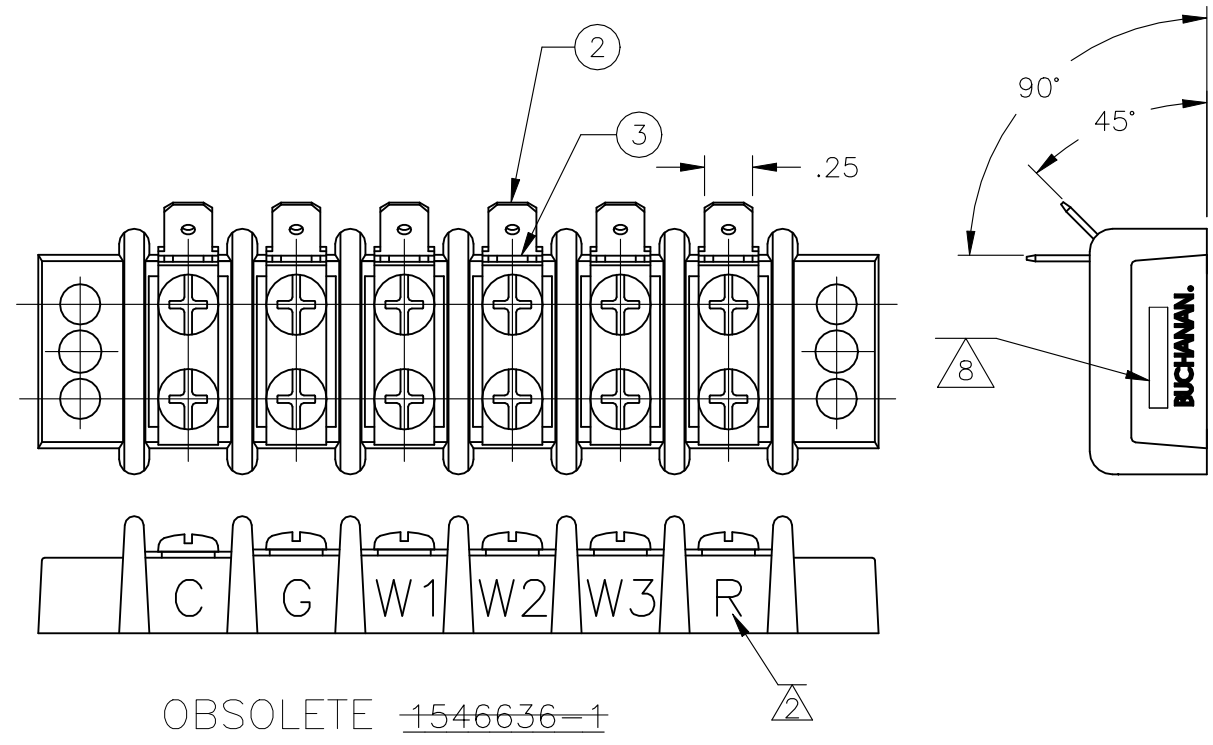
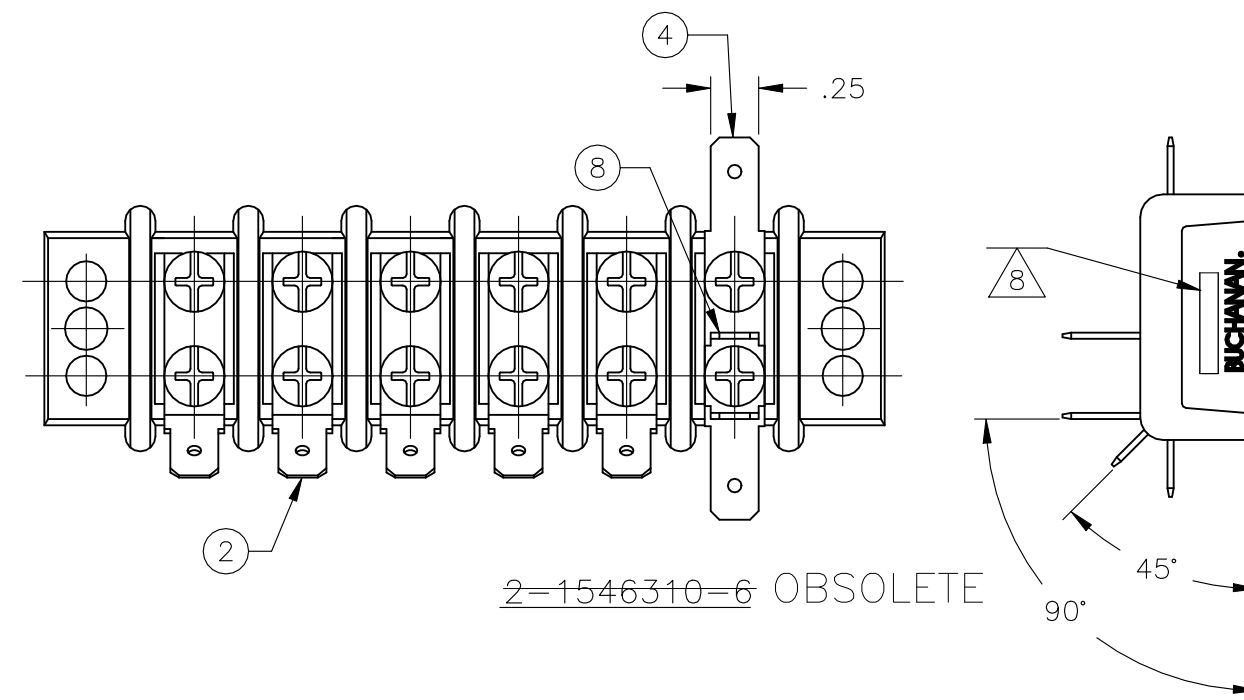
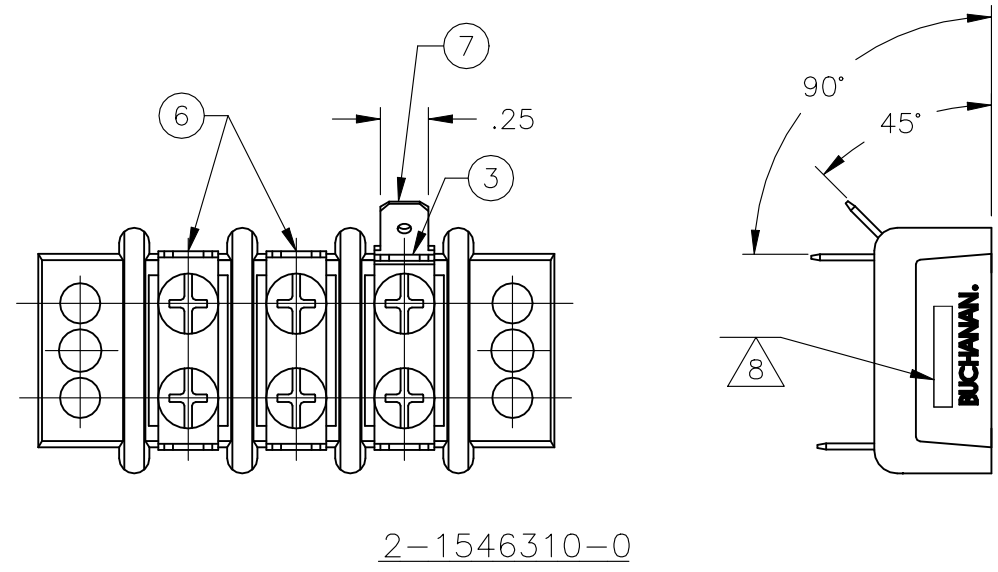
14.3 (.563) DBL ROW BARRIER STRIP W/O WASHER

SIZE A2 CAGE CODE 00779 DRAWING NO C=1546310 RESTRICTED TO -

REV T6

THIS DRAWING IS UNPUBLISHED. RELEASED FOR PUBLICATION  
 © COPYRIGHT - By - ALL RIGHTS RESERVED.

REVISIONS					
P	LTR	DESCRIPTION	DATE	DWN	APVD
-	-	SEE SHEET 1	-	-	-



1546310

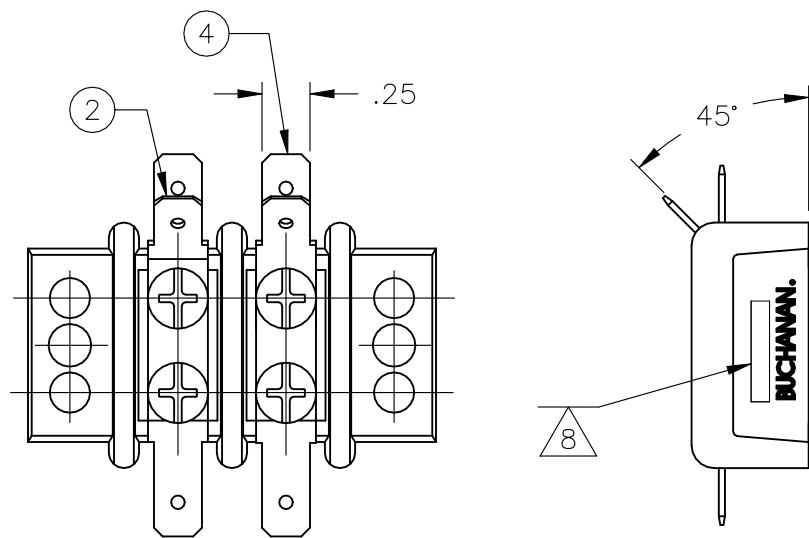
THIS DRAWING IS A CONTROLLED DOCUMENT.		DWN S SCHLEGEL 16FEB2007	TE Connectivity Ltd.	
DIMENSIONS: INCHES		CHK S YODER 2/16/07		
TOLERANCES UNLESS OTHERWISE SPECIFIED:		APVD S YODER 2/16/07	NAME 14.3 (.563) DBL ROW BARRIER STRIP W/O WASHER	
0 PLC ± - 1 PLC ± - 2 PLC ± - 3 PLC ± - 4 PLC ± - ANGLES ± -		PRODUCT SPEC	SIZE A2	CAGE CODE 00779
MATERIAL		FINISH	DRAWING NO C=1546310	RESTRICTED TO
		WEIGHT	SCALE NTS	SHEET 3 OF 4
		CUSTOMER DRAWING	REV T6	

THIS DRAWING IS UNPUBLISHED. RELEASED FOR PUBLICATION  
 © COPYRIGHT - By - ALL RIGHTS RESERVED.

REVISIONS				
P	LTR	DESCRIPTION	DATE	APVD
-	-	SEE SHEET 1	-	-



4-1546310-7 OBSOLETE



5-1546310-1

THIS DRAWING IS A CONTROLLED DOCUMENT.		DWN 16FEB2007 S SCHLEGEL	TE Connectivity Ltd.																			
DIMENSIONS: INCHES		CHK 2/16/07 S YODER																				
TOLERANCES UNLESS OTHERWISE SPECIFIED:		APVD 2/16/07 S YODER	NAME 14.3 (.563) DBL ROW BARRIER STRIP W/O WASHER																			
<table border="0"> <tr><td>0 PLC</td><td>±</td><td>-</td></tr> <tr><td>1 PLC</td><td>±</td><td>-</td></tr> <tr><td>2 PLC</td><td>±</td><td>-</td></tr> <tr><td>3 PLC</td><td>±</td><td>-</td></tr> <tr><td>4 PLC</td><td>±</td><td>-</td></tr> <tr><td>ANGLES</td><td>±</td><td>-</td></tr> </table>		0 PLC	±	-	1 PLC	±	-	2 PLC	±	-	3 PLC	±	-	4 PLC	±	-	ANGLES	±	-	PRODUCT SPEC	SIZE CAGE CODE DRAWING NO RESTRICTED TO	
0 PLC	±	-																				
1 PLC	±	-																				
2 PLC	±	-																				
3 PLC	±	-																				
4 PLC	±	-																				
ANGLES	±	-																				
MATERIAL		APPLICATION SPEC	A2 00779 C=1546310																			
FINISH		WEIGHT	SCALE NTS SHEET 4 OF 4 REV T6																			
CUSTOMER DRAWING																						