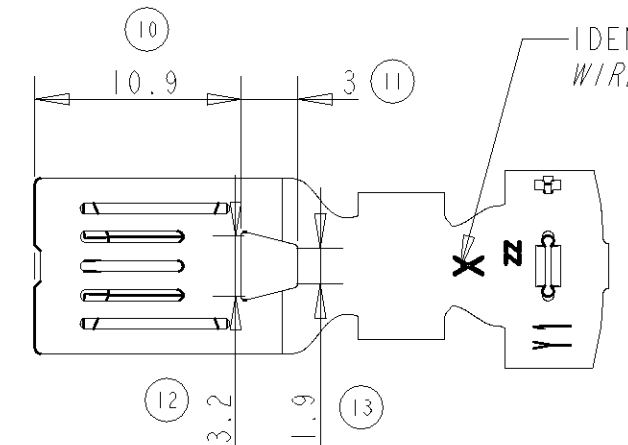


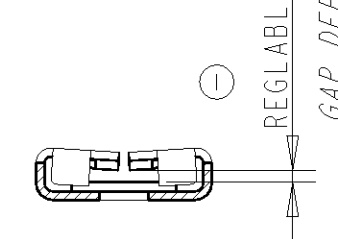
THIS DRAWING IS UNPUBLISHED. DIFFUSION RESTREINTE
 RELEASED FOR PUBLICATION LIBRE A LA DIFFUSION
 ALL RIGHTS RESERVED. TOUS DROITS RESERVES

REVISIONS					
P	LTR	DESCRIPTION MODIFICATIONS	DATE	DWN DESS.	APVD APP.
A		FIRST ISSUE	13SEP2007	PFs	JDr
B		ADD NG9K SEALS, HEAD FORMS SET UP.	19SEP2008	PFs	JDr
C		SET UP DIM 31, 33, 34 AND 35.	17JUN2011	PFs	JDr
D		SET UP DIM 21	15SEP2011	PFs	JDr

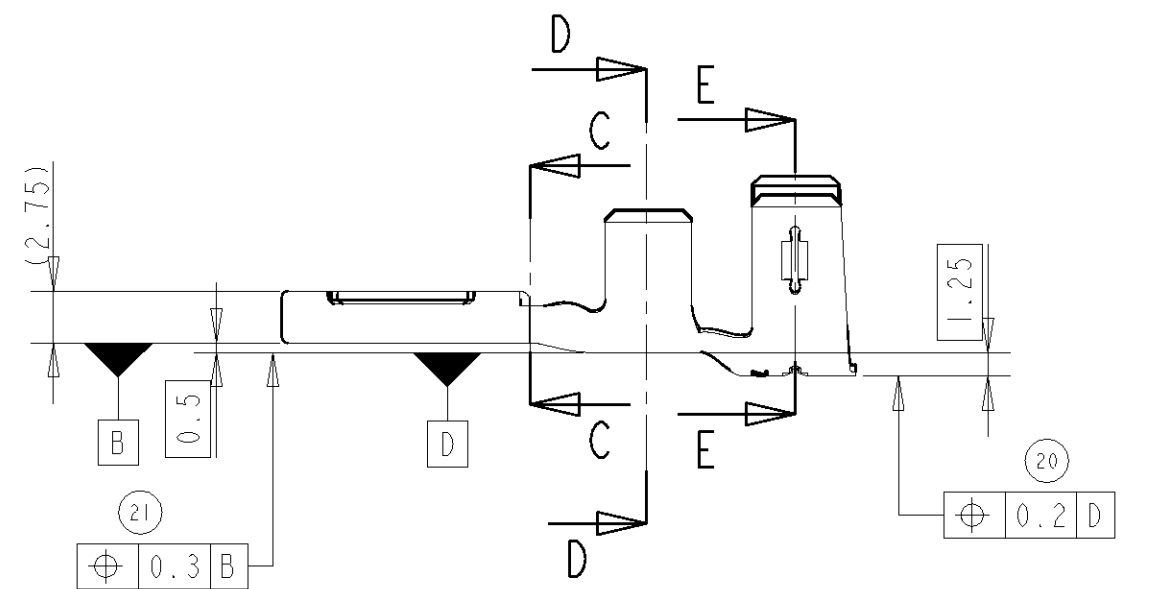
IDENTIFICATION DE LA GAMME "C" = DE 7 A 10 MM2
 WIRE SIZE IDENTIFICATION "C" = FROM 7 TO 10 MM2



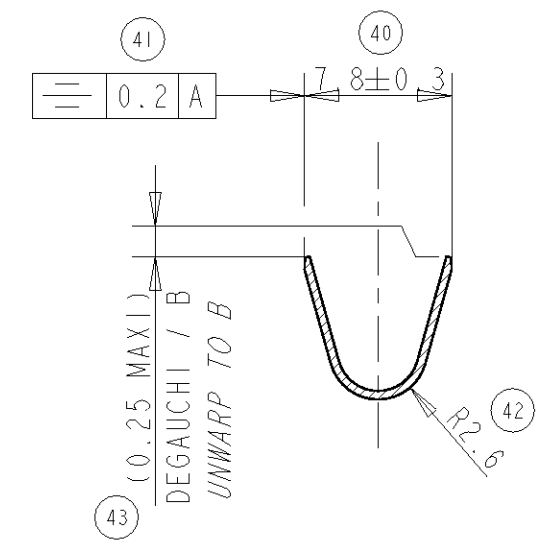
COUPE C-C SECTION C-C



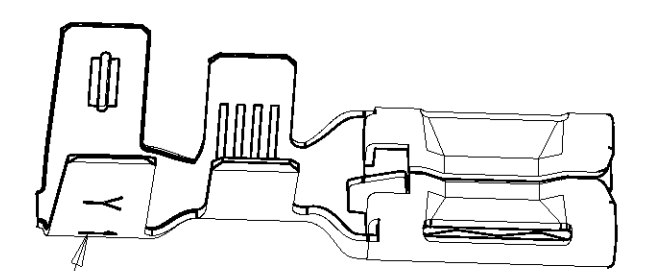
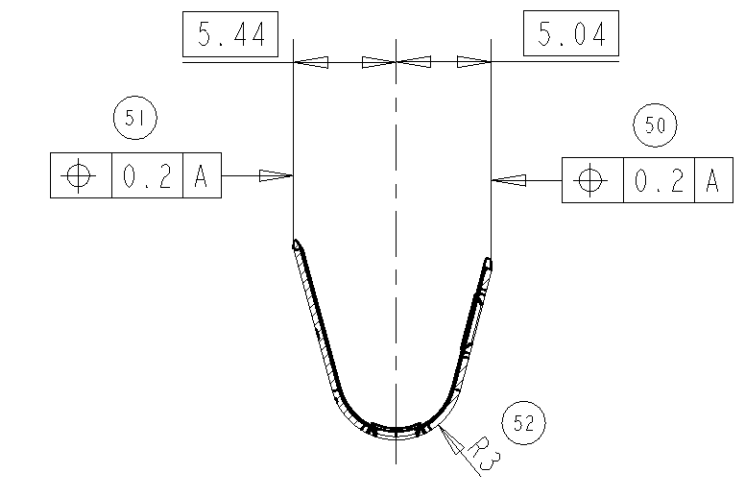
REGLABLE, EN FONCTION DES FI SUR CALIBRE
 GAP DEPENDENT MATING FORCE ON GAUGE



COUPE D-D SECTION D-D

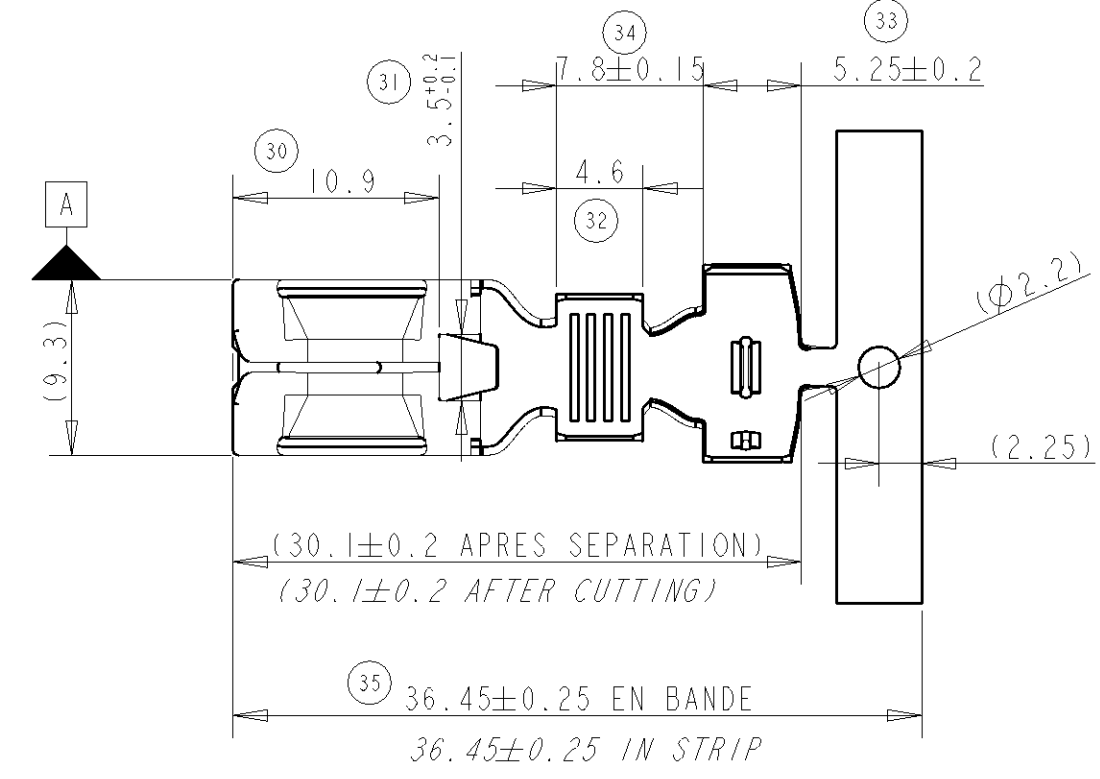
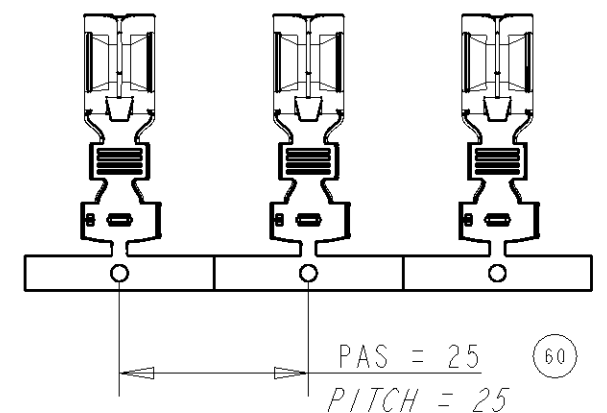


COUPE E-E SECTION E-E



LARGEUR ENTREFER REGLER POUR DES LANGUETTES DE 1mm
 WIDTH GAP FOR 1mm TAB

ECHELLE 1:1 SCALE 1:1



NOTA		NOTES	
1	(X) = POUR INFORMATION	1	(X) = FOR INFORMATION
2	CONDITIONNEMENT : VOIR SPECIFICATION 107-15602	2	PACKAGING : SEE SPECIFICATION 107-15602

REFERENCE TE PN	REFERENCE CLIENT CUSTOMER PN	Y : REPERE MATIERE MATERIAL REPERE	MATIERE MATERIAL	TRAITEMENT DE SURFACE HEAT TREATMENT
1544966-1		S	CuNiSi SELON SPECIFICATION: 100-1230 CuNiSi ACCORDING TO SPECIFICATION: 100-1230	PRE-ETAME SnAg DE 1 A 3µ SELON SPECIFICATION 112-73-2 PRE-TINNED SnAg FROM 1 TO 3µ ACCORDING SPECIFICATION 112-73-2
1544966-2		T		PRE-ARGENTE Ag DE 1 A 3µ SELON SPECIFICATIONS 212-7, 112-32 ET 118-91 PRE-SILVERED Ag FROM 1 TO 3µ ACCORDING SPECIFICATIONS 212-7, 112-32 AND 118-91

PRODUIT ASSOCIE / APPLIED PRODUCT			
DESIGNATION DES JOINTS SEALS DESCRIPTION	REFERENCE TE PN	REFERENCE CUSTOMER PN	COULEUR COLOR
JOINT UNIFILAIRE 7 A 10 MM2 SINGLE WIRE SEAL 7 TO 10 MM2	1544316-2		ORANGE / ORANGE
SUPER JOINT UNIFILAIRE 7 A 10 MM2 SUPER SINGLE WIRE SEAL 7 TO 10 MM2	1544664-2		ORANGE / ORANGE
JOINT UNIFILAIRE NG9K 6 A 7 MM2 NG9K SINGLE WIRE SEAL 6 TO 7 MM2	1544970-2		BLEU / BLUE
JOINT UNIFILAIRE NG9K 10 MM2 NG9K SINGLE WIRE SEAL 10 MM2	1544970-3		JAUNE / YELLOW
INTERFACE MONTABILITE / INTERFACE CAVITY			
1544953			

THIS DRAWING IS A CONTROLLED DOCUMENT. CE PLAN EST UN DOCUMENT CONTROLE PAR AMP INCORPORATED. IL EST SUSCEPTIBLE D'ETRE REVISE. CONTACTER LE SERVICE TECHNIQUE D'AMP DE FRANCE POUR OBTENIR LA DERNIERE REVISION.

DIMENSIONS: mm

TOLERANCES UNLESS OTHERWISE SPECIFIED: TOLERANCES NON SPECIFIEES (SUIVANT DE DECIMALES)

1. PLC / DE: ±
2. PLC / DE: ±0.1
3. PLC / DE: ±

ANGLES: ±2'

FINISH FINITION

MATERIAL MATIERE: SEE TABLE

DWN/DESSINE: P. FLORES 13SEP07
CHK/VERIFIE: F. SAPET 13SEP07
APVD/APPROUVE: J. DAHER 13SEP07

PRODUCT SPEC, PRODUIT: 108-15382
APPLICATION SPEC, APPLICATION SPEC: 114-15107

WEIGHT MASSE APPROX.: 0.0023kg

CUSTOMER DRAWING /PLAN CLIENT

SCALE ECHELLE: 5:2

SHEET FEUILLE: 1 OF DE: 1

REV: D

NAME TITRE: 8mm NG1+ FEMALE TERMINAL WIRE SIZE 7-10 SQUARE MM

SIZE FORMAT: A2

CAGE CODE: 00779

DRAWING NO No PLAN: C-1544966

RESTRICTED TO RESERVE A

UNIQUEMENT POUR REFERENCE