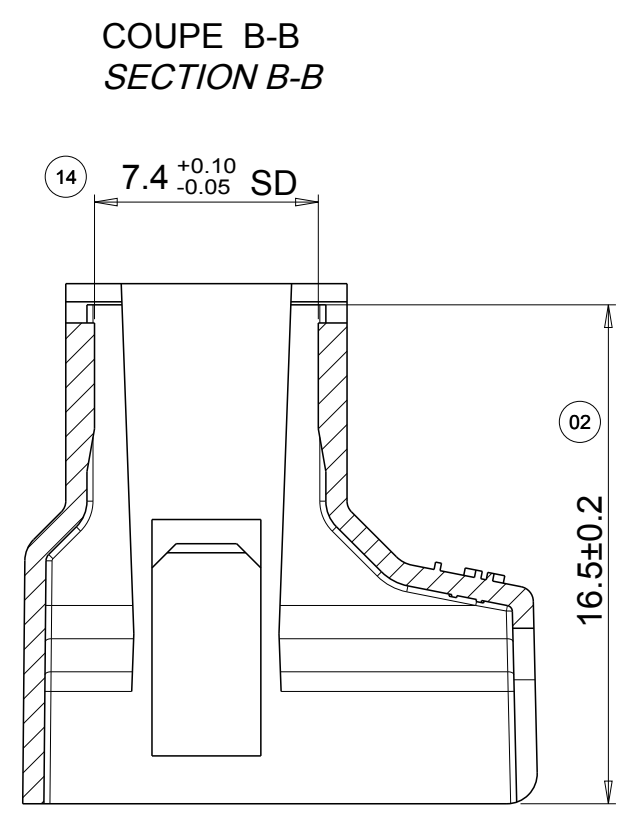
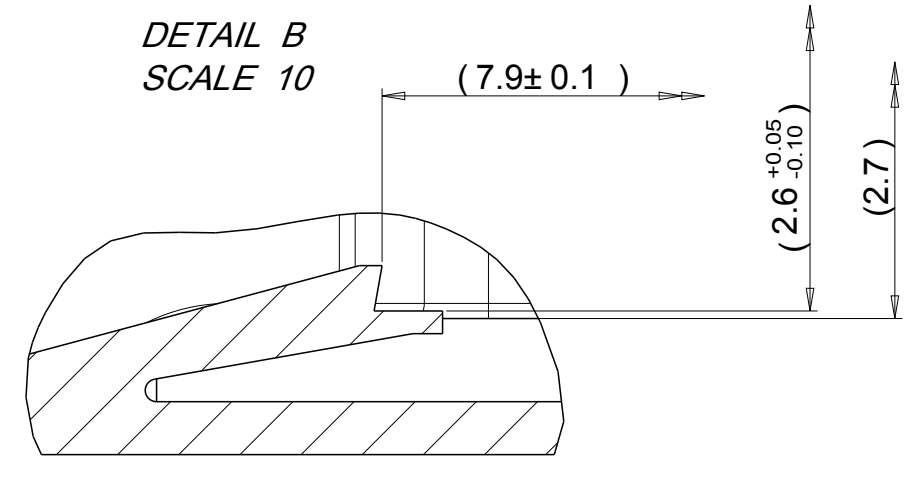
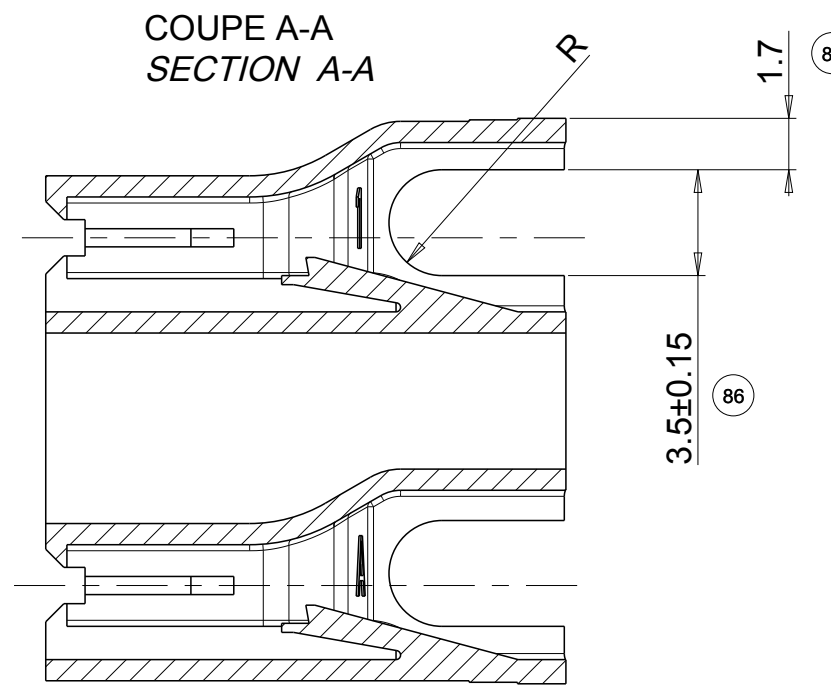
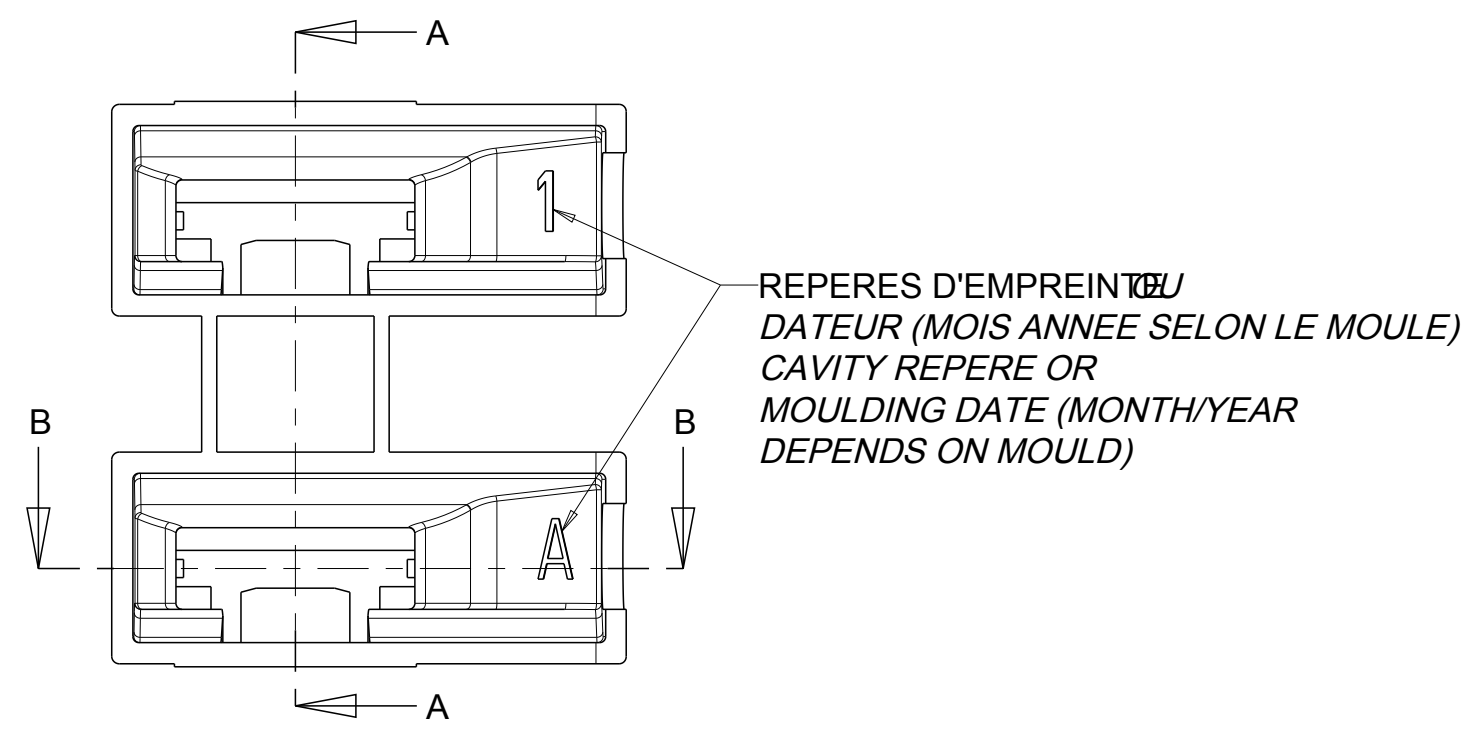
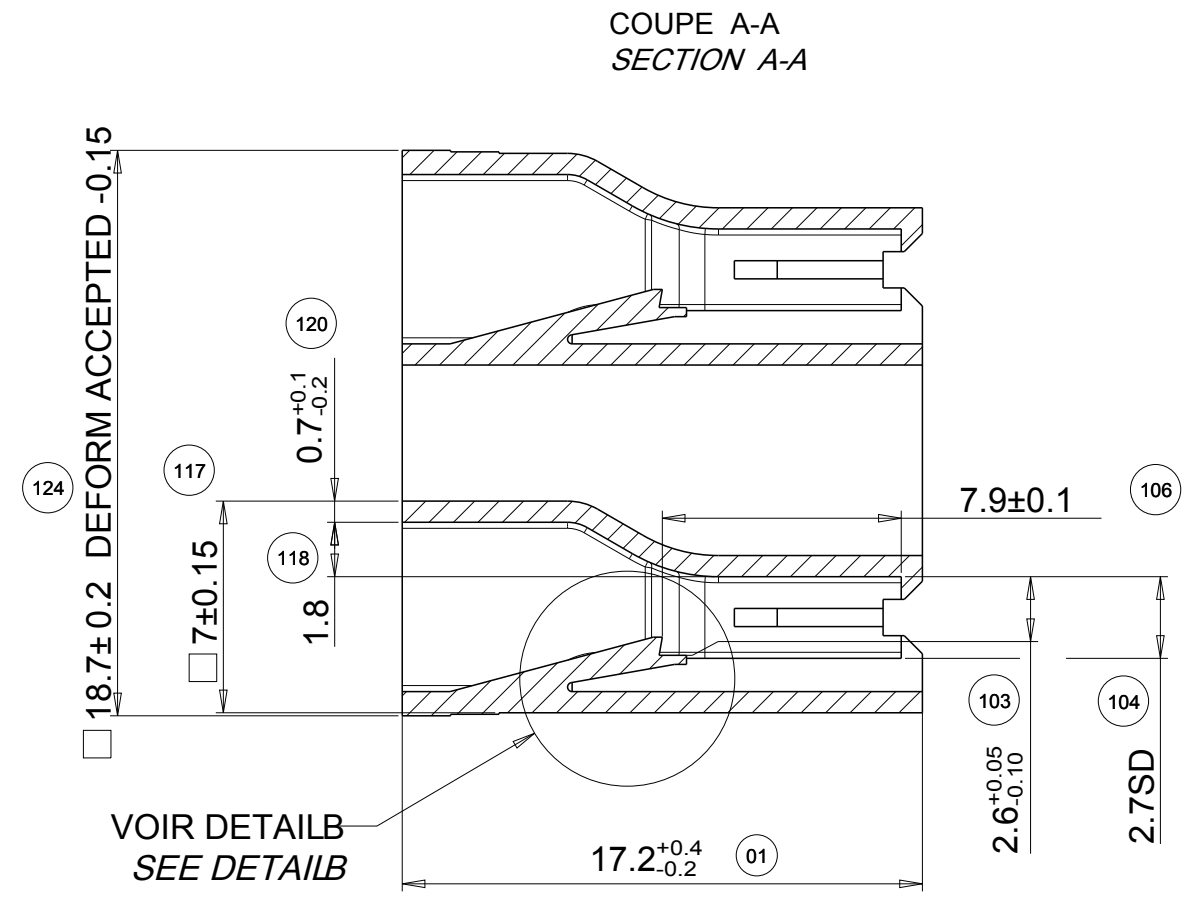
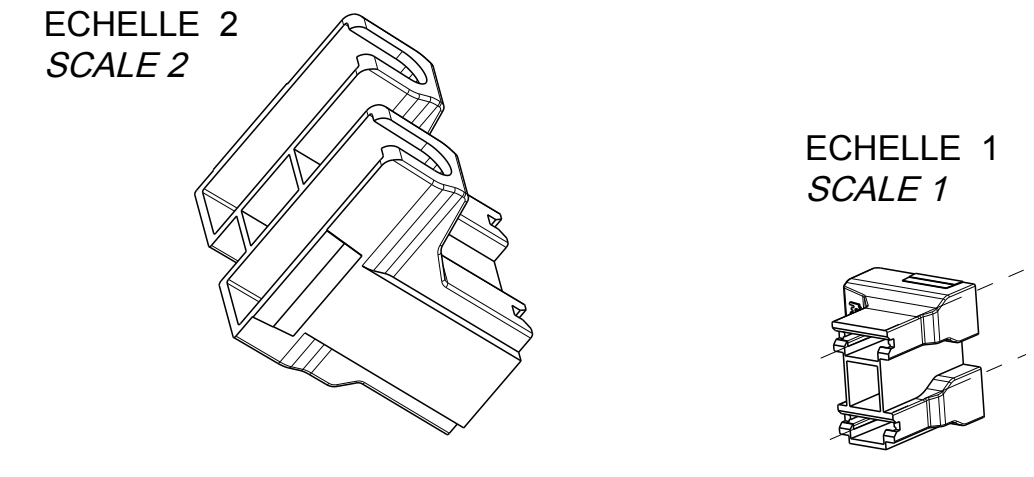
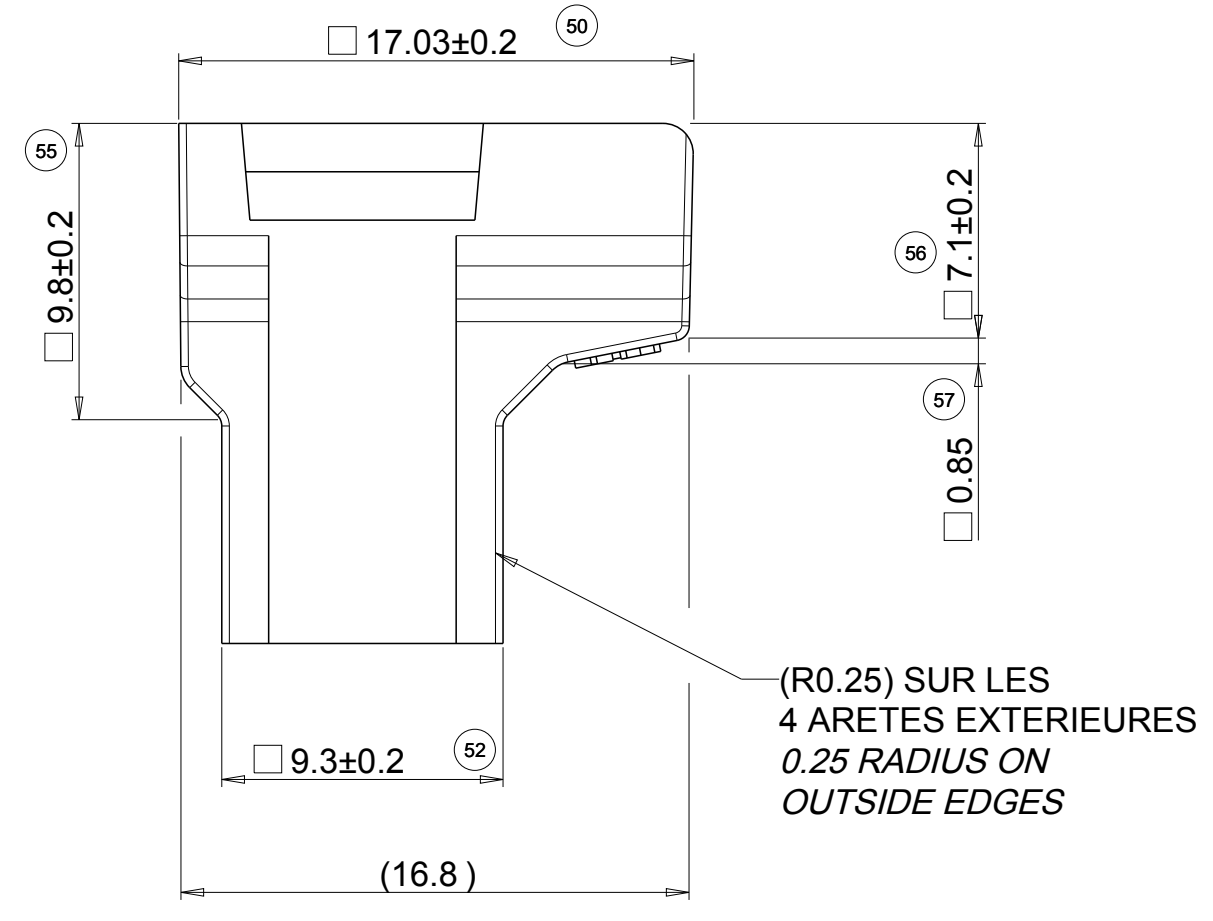
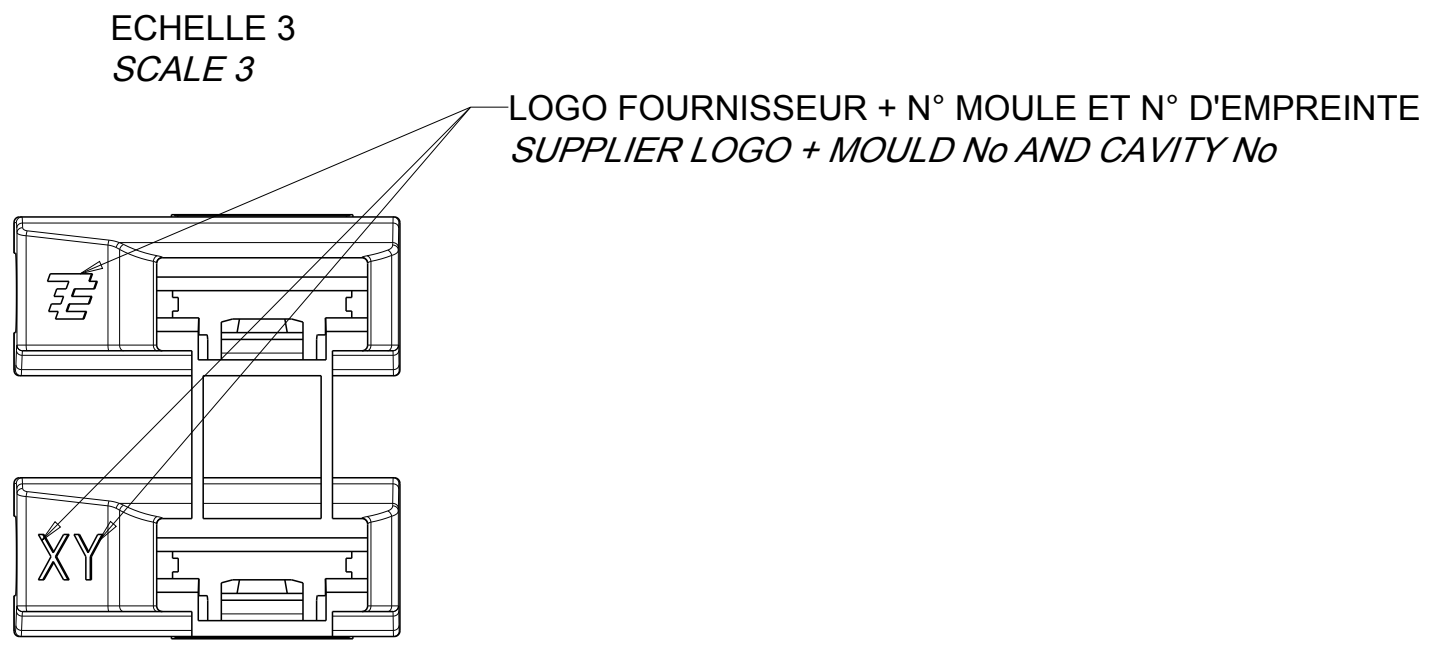


THIS DRAWING IS UNPUBLISHED. RELEASED FOR PUBLICATION 2011
 © COPYRIGHT 2011 ALL RIGHTS RESERVED.

LOC	DIST	REVISIONS			
P	LTR	DESCRIPTION	DATE	DWN	APVD
F	00	H	DIM 86, 117, 120 AND 124 UPDATED	02MAR2011	PFs JDr



NOTA / NOTES :

- SD: SANS DEPOUILLE
- SD: WITHOUT DRAFT
- LA DEPOUILLE DOIT ETRE COMPRISE DANS LA TOLERANCE
- THE DRAFT MUST BE INCLUDED INSIDE TOLERANCE
- (): POUR INFORMATION
- (): FOR INFORMATION
- □ : COTE D'ENCOMBREMENT
- □ : OVERALL DIMENSION

PN : 1544352-1

THIS DRAWING IS A CONTROLLED DOCUMENT

DIMENSIONS:	TOLERANCES UNLESS OTHERWISE SPECIFIED:	DWN	26MAY2004	 TE Connectivity
mm		CHK	L. CORONELLI	
		CHK	P. FLORES	
		APVD	J. DAHER	
MATERIAL	FINISH	APVD	26MAY2004	NAME
PA6/66 20%FV		PRODUCT SPEC		2 WAYS 6.35 FLAG CLIP HOUSING
		APPLICATION SPEC		CAPUCHON 2V POUR CLIP DRAPEAU 6.35
		WEIGHT	0.0011kg	SIZE
		CUSTOMER DRAWING		A2
		SCALE	4	CAGE CODE
		SHEET	1	00779
		OF	1	DRAWING NO
		REV	H	C-1544352
				RESTRICTED TO