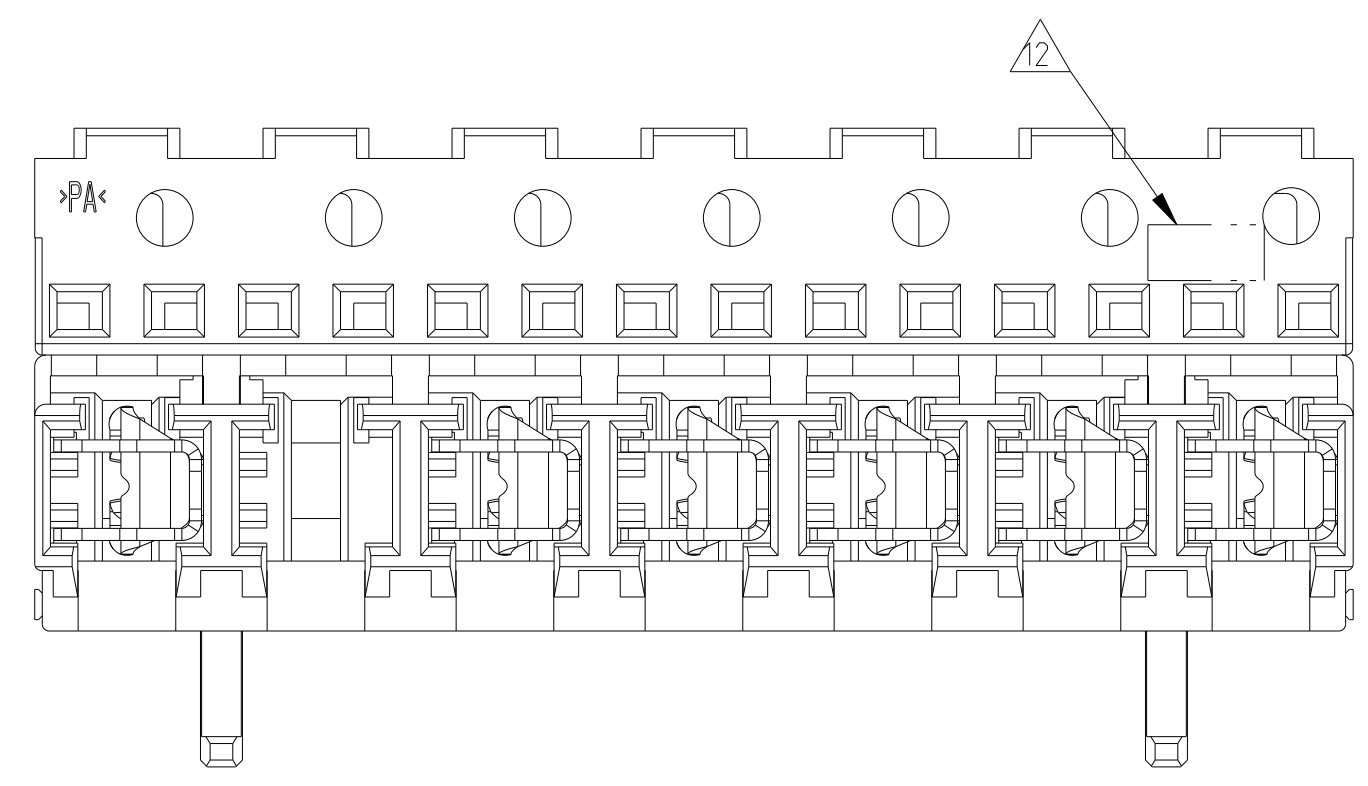
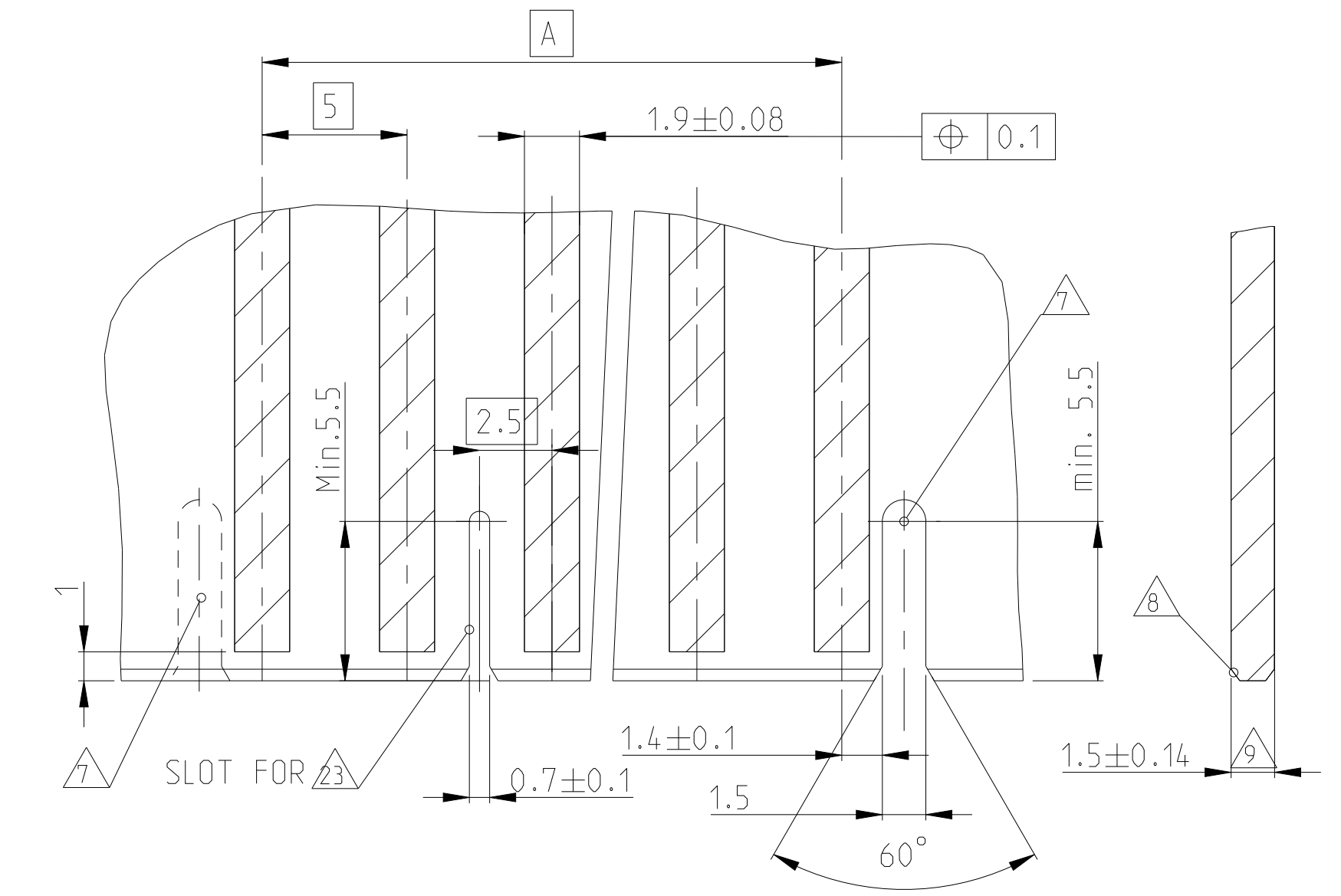
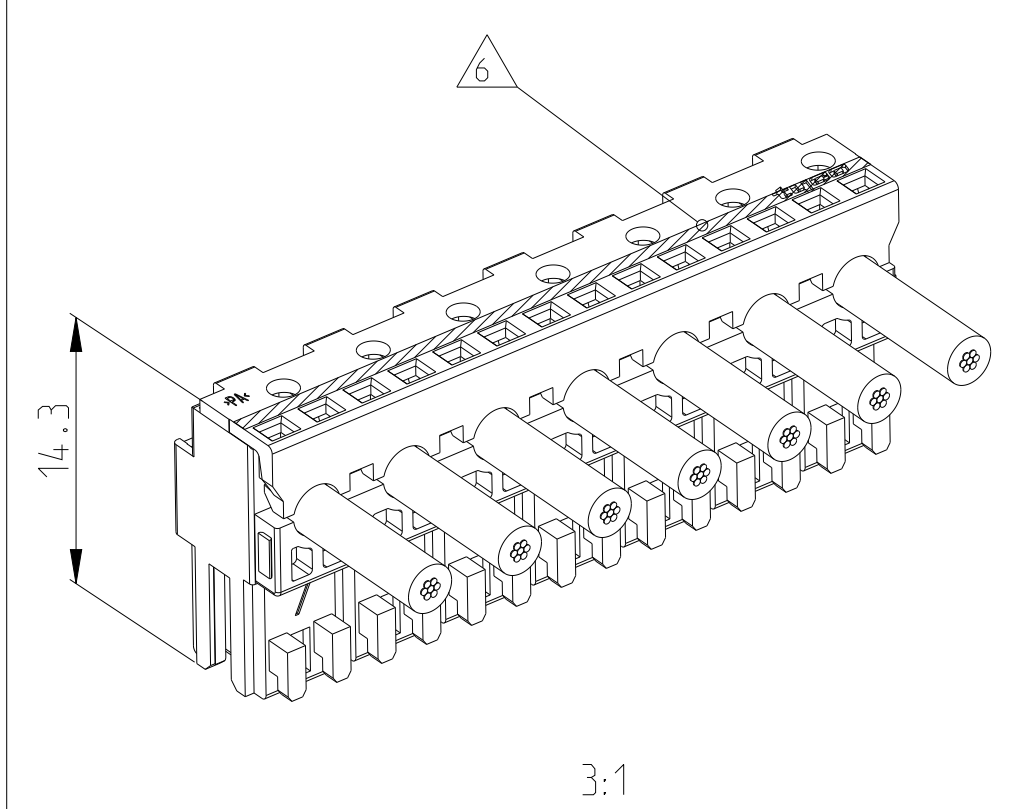
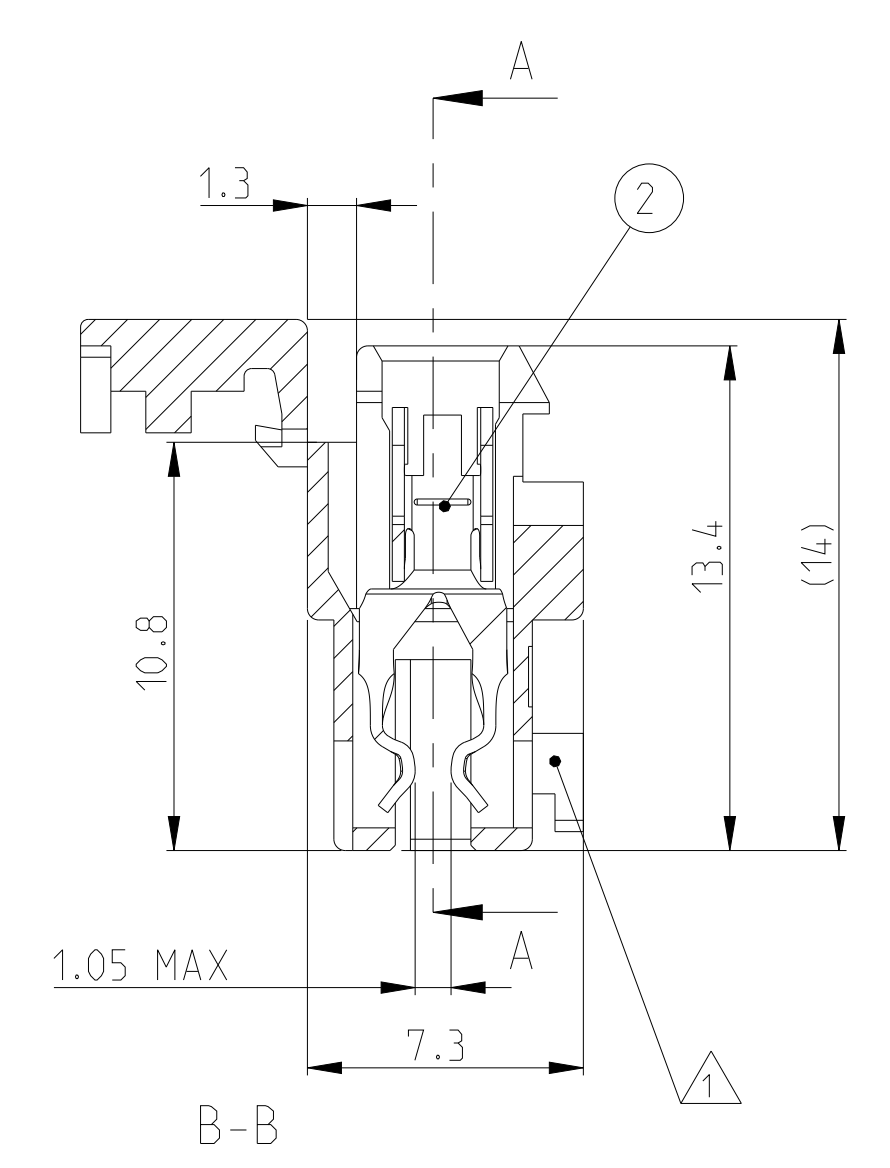
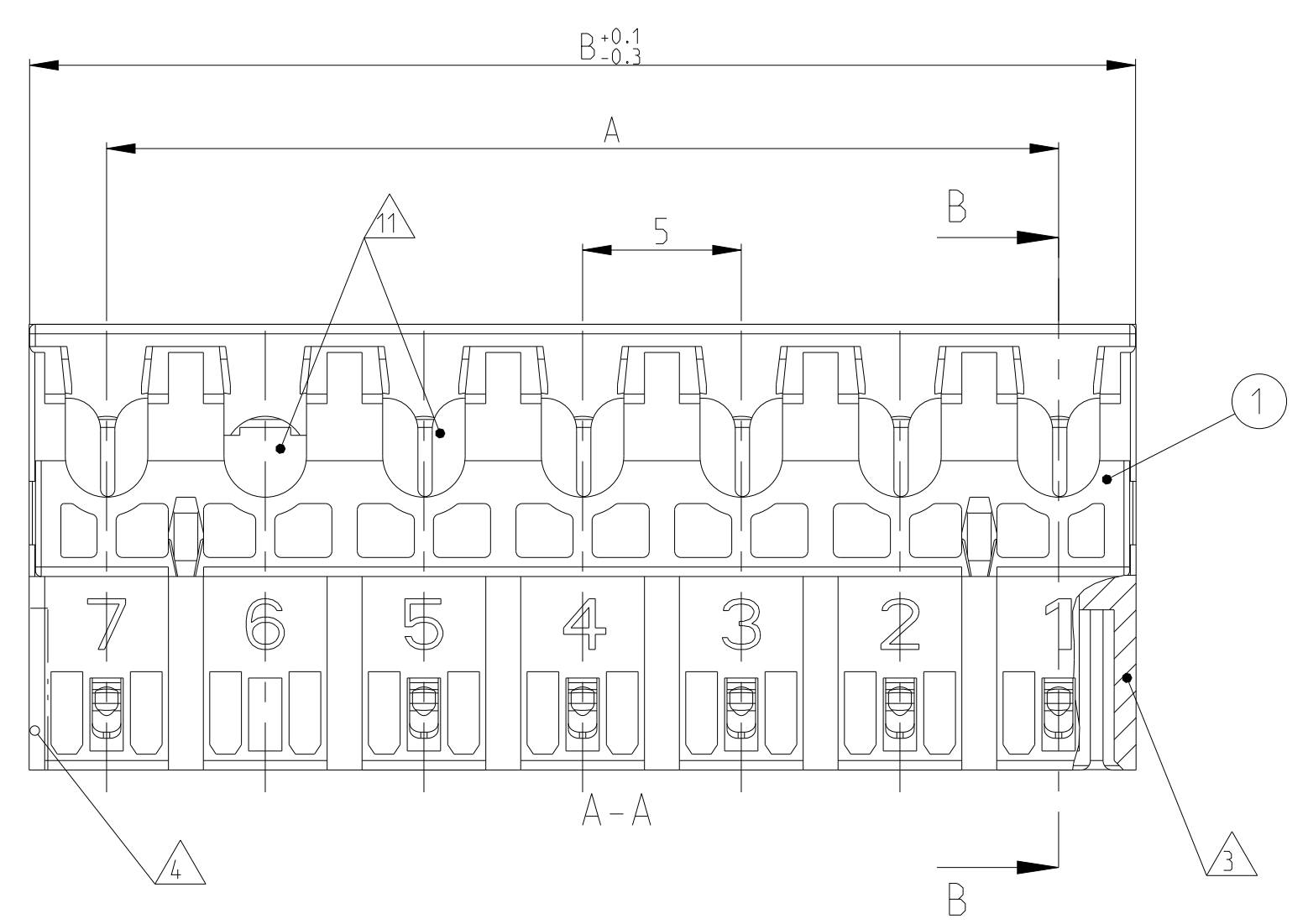
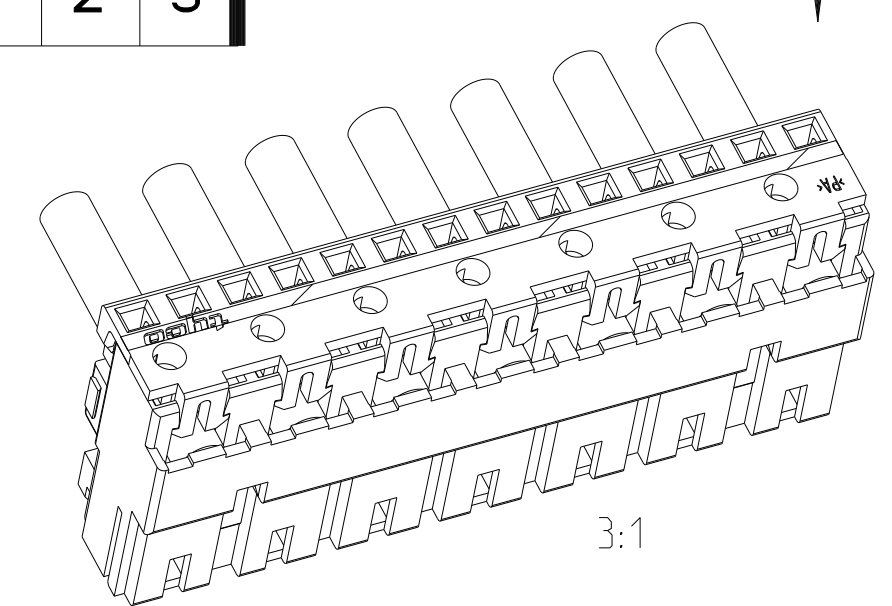
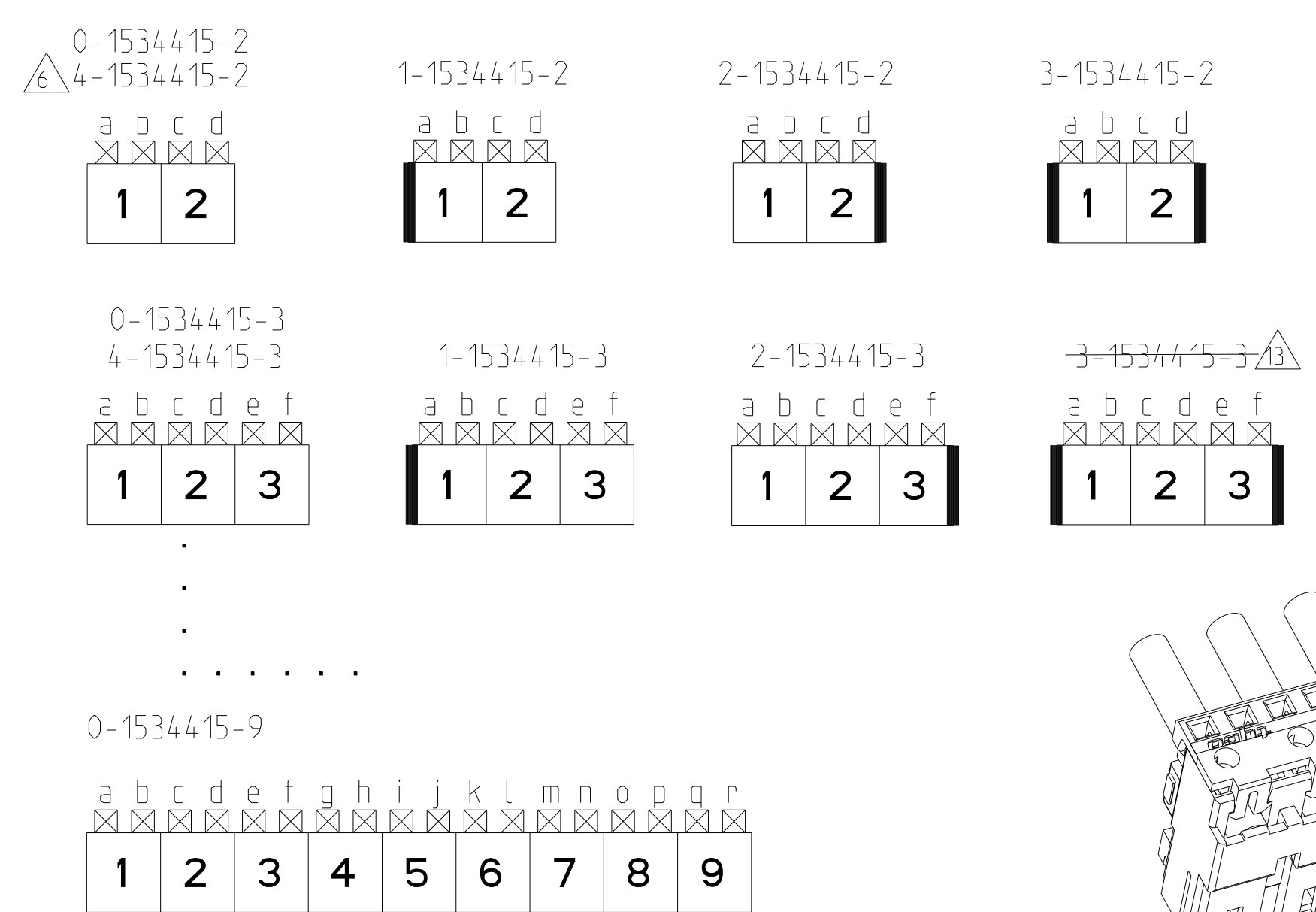


LOC	DIST	REVISIONS					
A1	-	P	LTA	DESCRIPTION	DATE	DWN	APVD
		D25		ECR-22-141077	03MAR2023	SM	FL
		D26		ECR-23-178155	15JUN2023	SP	FL
		D27		ECR-23-194529	12DEC2023	SP	FL
		D28		ECR-24-215449	05AUG2024	DK	FL

PCB LAYOUT KEYED / CONNECTED ONLY WITH ADDITIONAL FRAME
 Leiterplattenanschluss kodiert / nur in Verbindung mit zusätzlichem Rahmen



KEYING PLAN (VIEW Z)
 Kodierschema (Ansicht Z)

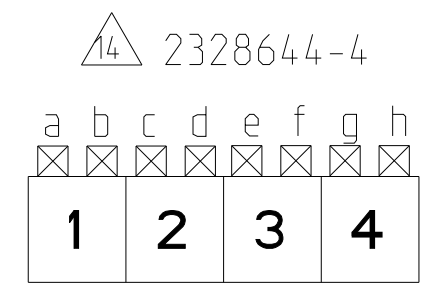


- 17 RELEASED PART WITH PENDING AGENCY APPROVALS.
(REF. VDE ORDER N. 295903)
(REF. UL PROJECT N. 4790473412)
- 16 KEYING BETWEEN POSITIONS
- 15 UL94 V0 AND GLOW WIRE TEST 750 °C WITHOUT FLAME
- 14 PRELIMINARY PART NOT RELEASED FOR PRODUCTION
- 13 OBSOLETE
- 12 TE LOGO

- 11 X...CAVITY LOADED WITH CONTACT
0...CAVITY WITHOUT CONTACT
X...Kammer mit Kontakt
0...Kammer ohne Kontakt
- 10 GLOW WIRE TEST 750 °C WITHOUT FLAME
Gluehdrahttest 750°C ohne Flamme
- 9 INCLUSIVE COPPER CLADDING:
Inklusive Kupferkaschierung:
- 8 PCB PREFERABLY CHAMFERED.
Leiterplatte vorzugsweise angefast.
- 7 SLOT FOR SIDE KEYING. 4 4
Schlitz fuer Seitenkodierung. 4 4 .
- 6 COLOUR MARKING ON TOP OF HOUSING OPTIONAL ON TERMINATION MACHINE
Farbmarkierung auf Gehäuseoberseite optional an Verarbeitungsmaschine
- MATING PART: PCB (WITH FRAMES ACC. RAST 2.5 E.G. PN 964 575/576)
TABHEADER PN 1 534 787/788
- 5 Passender Gegenstecker: Leiterplatten (mit Rahmen nach RAST 2.5 z.B. 964 575/576)
Tabwannen Nr. 1 534 787/788
- 4 SIDE KEYING, ON LAST CAVITY
Seitenkodierung, an letzter Kammer
- 3 SIDE KEYING, ON CAVITY 1
Seitenkodierung, an Kammer 1
- 2 WIRE RANGE: 0.35-0.75 mm²
Drahtgrößenbereich: 0.35-0.75 mm²
- 1 KEYING RIBS; CUTTING WITH TERMINATION MACHINE POSSIBLE
Kodierrippe; Schneiden auf der Verarbeitungsmaschine moeglich

THIS DRAWING IS A CONTROLLED DOCUMENT.		OWN: H. Karabiyik 13OCT2016	
DIMENSIONS: mm		CHK: B. Schnaubelt 24JAN2002	
TOLERANCES UNLESS OTHERWISE SPECIFIED:		APVD: T. Klenner 24JAN2002	NAME: AMP DUOPLUG POWER FEMALE CONNECTOR (Standard Version)
0 PLC ±0.2		PRODUCT SPEC	SIZE: 108-18780
1 PLC ±0.2		APPLICATION SPEC	CAGE CODE: 00779
2 PLC ±0.2		ANGLES	DRAWING NO: 1534415
3 PLC ±0.2		FINISH: #1*	RESTRICTED TO: -
4 PLC ±0.2		WEIGHT: -	SCALE: 5:1
MATERIAL: -		CUSTOMER DRAWING	SHEET 1 OF 2
			REV: D28

**KEYING PLAN (EXAMPLES)
(VIEW Z)**



LOC		DIST		REVISIONS			
P	LTN	DESCRIPTION		DATE	OWN	APVD	
-		SEE SHEET 1		-	-	-	

GWEPT 750°C NO FLAME + UL94-V0 ¹⁵																		
X	X	X	X	X	X	X	X	X	X	X	NATURE	10	40	49.9	3/4	-	-	2-2328644-0 ¹⁷
X	X	X	X	X	X	X	X	X	X	X	NATURE	10	40	49.9	-	-	-	1-2328644-0 ¹⁷
	X	X	X	X	X	X	X	X	X	X	NATURE	9	40	44.9	-	-	-	-
			0	0	X	X	X	X	X	X	NATURE	7	30	34.9	-	-	-	1-2328644-7 ¹⁴
				X	X	X	X	X	X	X	NATURE	7	30	34.9	-	-	-	2328644-7 ¹⁴
					X	X	X	X	X	X	NATURE	5	20	24.9	-	-	-	2328644-5 ¹⁷
						X	X	X	X	X	NATURE	4	15	19.9	-	-	-	2328644-4 ¹⁴
							X	0	X		BLACK	3	10	14.9	2/3	-	-	1-2328644-3
							X	X	X		NATURE	3	10	14.9	-	-	X	2328644-3 ¹⁴
							X	X	X		NATURE	3	10	14.9	-	X	-	5-1534415-3
								X	X		NATURE	2	5	9.9	-	-	-	-
10	9	8	7	6	5	4	3	2	1		COLOR	POS.	DIM A	DIM B	KEYING	KEYING	KEYING	TE P/N
CAVITY LOADED ¹¹											⁶				¹⁶	⁴	³	
2	SEE TABLE siehe Tabelle		KONTAKT		CuNiSi		TINNED											
1			Federleistengehaeuse		PA 6 ⁶		NATUR/Natur											
POS.	TE P/N		DESCRIPTION		MATERIAL		COLOUR/FINISH											

GWEPT 750°C NO FLAME + UL94-V2																		
X	X	X	X	X	X	X	X	X	X	X	NATURE	10	45	49.9	3/4	-	-	2-1534415-0
X	X	X	X	X	X	X	X	X	X	X	NATURE	10	45	49.9	-	-	-	1-1534415-0
	X	X	X	X	X	X	X	X	X	X	NATURE	9	40	44.9	-	-	-	0-1534415-9
		X	X	X	X	X	X	X	X	X	NATURE	8	35	39.9	-	-	-	0-1534415-8
			X	X	X	X	X	X	X	X	NATURE	7	30	34.9	-	-	-	0-1534415-7
				X	X	X	X	X	X	X	NATURE	6	25	29.9	-	-	-	0-1534415-6
					X	X	X	X	X	X	NATURE	5	20	24.9	-	-	-	0-1534415-5
						X	X	X	X	X	NATURE	4	15	19.9	-	X	-	3-1534415-4
							X	X	X	X	NATURE	4	15	19.9	3/4	X	X	2-1534415-4
								X	X	X	NATURE	4	15	19.9	2/3	X	X	1-1534415-4
								X	X	X	NATURE	4	15	19.9	-	-	-	0-1534415-4
								X	X	X	RED	3	10	14.9	-	X	-	8-1534415-3
								X	X	X	GREEN	3	10	14.9	-	-	X	7-1534415-3
								X	X	X	NATURE	3	10	14.9	1/2	-	X	6-1534415-3
								X	0	X	NATURE	3	10	14.9	-	-	-	4-1534415-3
								X	X	X		3	10	14.9	-	X	X	3-1534415-3 ¹³
								X	X	X	NATURE	3	10	14.9	-	X	-	2-1534415-3
								X	X	X	NATURE	3	10	14.9	-	-	X	1-1534415-3
								X	X	X	NATURE	3	10	14.9	-	-	-	0-1534415-3
								X	X	BROWN	2	5	9.9	-	-	-	4-1534415-2 ⁶	
								X	X	NATURE	2	5	9.9	-	X	X	3-1534415-2	
								X	X	NATURE	2	5	9.9	-	X	-	2-1534415-2	
								X	X	NATURE	2	5	9.9	-	-	X	1-1534415-2	
								X	X	NATURE	2	5	9.9	-	-	-	0-1534415-2	
10	9	8	7	6	5	4	3	2	1		⁶	POS.	DIM A	DIM B	¹⁶	⁴	³	PN Bestell-Nr.
CAVITY LOADED ¹¹											COLOR	Polzahl			KEYING	KEYING	KEYING	
2	SEE TABLE siehe Tabelle		KONTAKT		CuNiSi		TINNED											
1			Federleistengehaeuse		PA 6 ⁶		NATUR/Natur											
POS.	PN Bestell-Nr.		DESCRIPTION Beschreibung		MATERIAL		COLOUR/FINISH Farbe/Oberflaeche											

THIS DRAWING IS A CONTROLLED DOCUMENT.		OWN H. Karabiyik 13 OCT 2016		
DIMENSIONS: mm		CHK B. Schnaubelt 24 JAN 2002		
TOLERANCES UNLESS OTHERWISE SPECIFIED:		APVD T. Klenner 24 JAN 2002	NAME AMP DUOPLUG POWER FEMALE CONNECTOR (Standard Version)	
		PRODUCT SPEC 108-18780	SIZE A 1	
MATERIAL -		APPLICATION SPEC 116-18458	CAGE CODE 00779	
-		WEIGHT -	DRAWING NO 1534415	
-		CUSTOMER DRAWING		RESTRICTED TO -
		SCALE 5:1		SHEET 2 OF 2
				REV 028