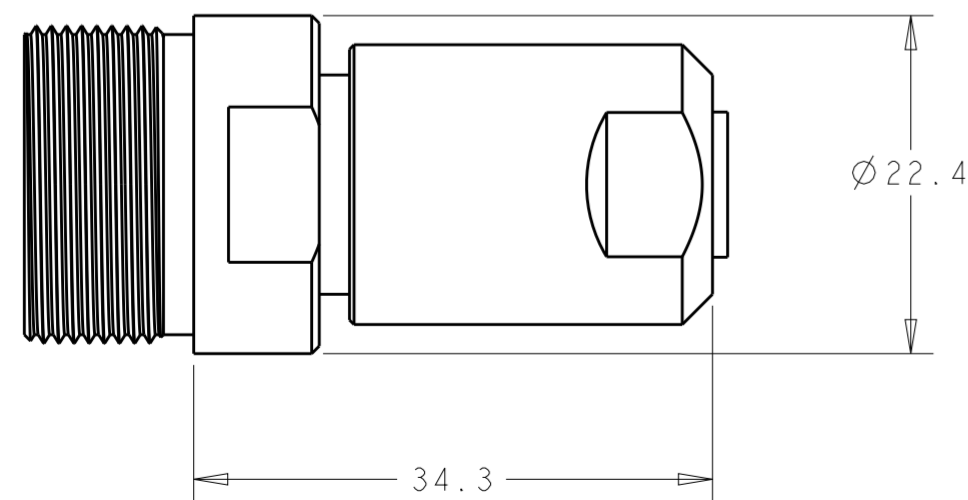
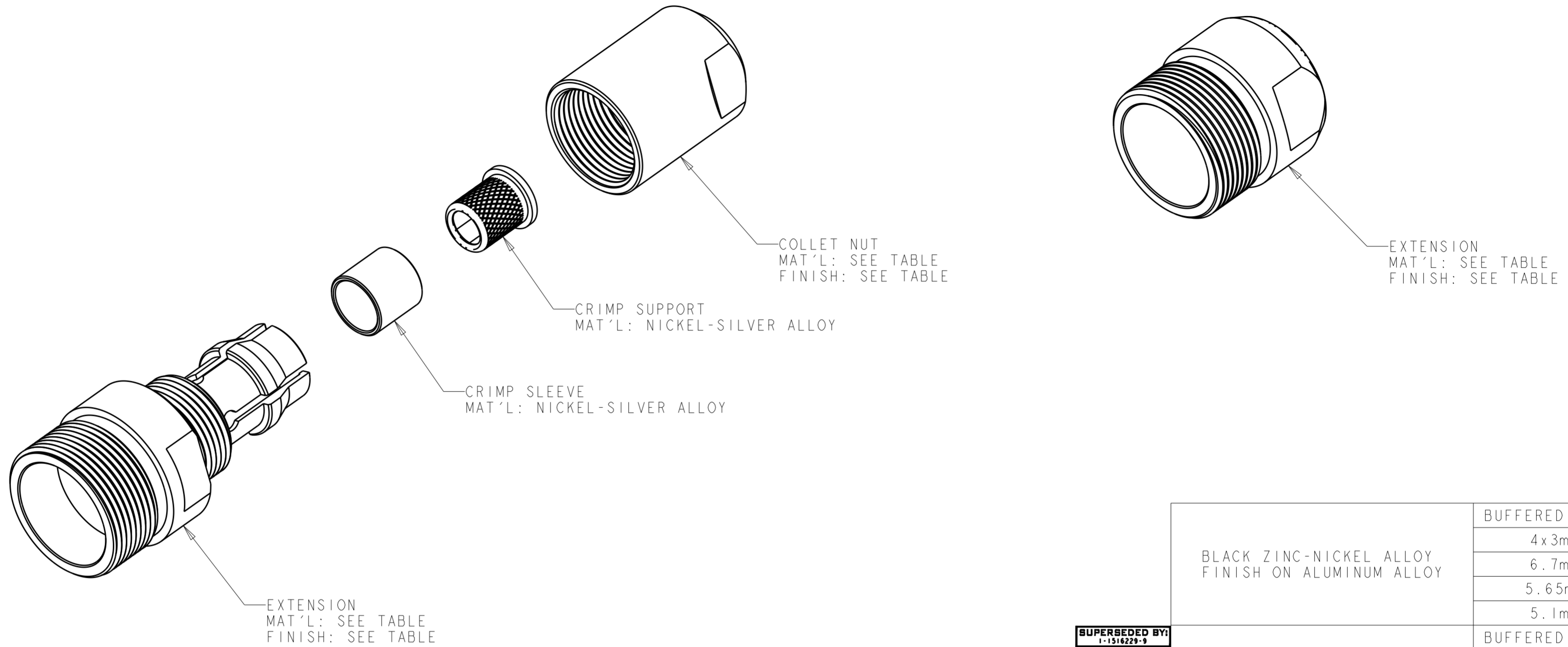


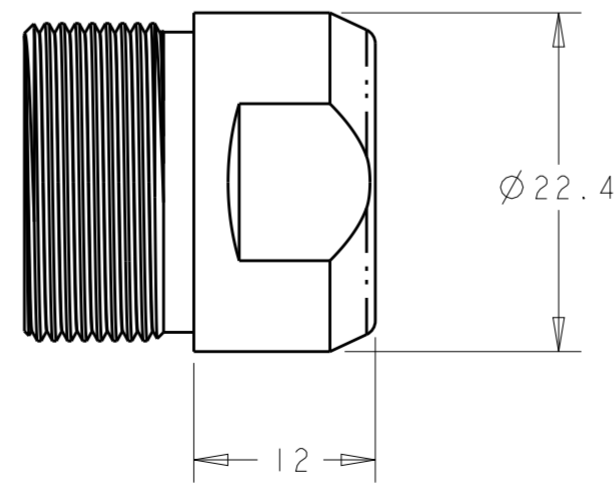
THIS DRAWING IS UNPUBLISHED. RELEASED FOR PUBLICATION 20
 © COPYRIGHT 20 BY - ALL RIGHTS RESERVED.

REVISIONS				
P	LTR	DESCRIPTION	DATE	APVD
	B2	ECR-15-009282	29JUL2015	KG DW

1. FOR USE WITH TE CONNECTIVITY PRO BEAM SR BULKHEAD-MOUNT CONNECTOR SHELL KITS.



MIL-TACTICAL CABLE ADAPTER



LOW PROFILE ADAPTER FOR BUFFERED FIBER

SUPERSEDED BY:
1-1516229-9
SUPERSEDED BY:
1-1516229-8
SUPERSEDED BY:
2-1516229-0
SUPERSEDED BY:
1-1516229-7
SUPERSEDED BY:
1-1516229-6

DESCRIPTION	MAXIMUM CABLE DIAMETER	PART NUMBER
BLACK ZINC-NICKEL ALLOY FINISH ON ALUMINUM ALLOY	BUFFERED FIBER	1-1516229-9
	4 x 3mm	1-1516229-8
	6.7mm	2-1516229-0
	5.65mm	1-1516229-7
OLIVE DRAB ZINC FINISH ON ALUMINUM ALLOY	5.1mm	1-1516229-6
	BUFFERED FIBER	1-1516229-2
	4 x 3mm	1516299-9
	6.7mm	1-1516229-5
NICKEL ALUMINUM BRONZE ALLOY	5.65mm	1-1516229-0
	5.1mm	1-1516229-1
	BUFFERED FIBER	1516229-8
	4 x 3mm	1516299-5
HARD ANODIZE FINISH ON ALUMINUM ALLOY	6.7mm	1-1516229-4
	5.65mm	1516229-6
	5.1mm	1516229-7
	BUFFERED FIBER	1516229-4
DESCRIPTION	4 x 3mm	1516299-1
	6.7mm	1-1516229-3
	5.65mm	1516229-2
	5.1mm	1516229-3

THIS DRAWING IS A CONTROLLED DOCUMENT. DWN 29 JAN 2009
 K. GLATFELTER
 CHK 29 JAN 2009
 D. WERTMAN
 APVD 29 JAN 2009
 D. WERTMAN

STE TE Connectivity

NAME: CABLE ADAPTER KIT, BULKHEAD, PRO BEAM SR.

SIZE: A2 CAGE CODE: 00779 DRAWING NO: C-1516229 RESTRICTED TO: -

MATERIAL: - DIMENSIONS: mm TOLERANCES UNLESS OTHERWISE SPECIFIED: 0 PLC ±, 1 PLC ±, 2 PLC ±, 3 PLC ±, 4 PLC ±, ANGLES ±, FINISH -

Customer Drawing WEIGHT: - APPLICATION SPEC: - PRODUCT SPEC: -

SCALE: 2:1 SHEET: 1 OF 1 REV: B2