

THIS DRAWING IS UNPUBLISHED.

RELEASED FOR PUBLICATION

20

© COPYRIGHT 20

ALL RIGHTS RESERVED.


REVISIONS

P	LTR	DESCRIPTION	DATE	DWN	APVD
	G	ADDED 2--4; 2--5 ECO-18-001995	30JAN2018	CR	JLM
	H	REVISED PER ECO-18-003884	12MAR2018	AP	JLM
	H2	REVISED PER ECO-19-013922	05SEP2019	SJ	JH
	H3	REMOVE PN ON PLASTIC	04JUL2022	DC	CY

NOTES: UNLESS OTHERWISE SPECIFIED.

- 1 MINI COAX CABLE DIAMETER 1.13 mm TERMINATED WITH U.FL CONNECTOR OR MHF4L SEE TABLE.
- 2. PRODUCT AND PROCESSING MEETS REQUIREMENTS OF TE CONNECTIVITY ENVIROMENTAL STANDARD TEC-138-702.
- 3 4 DIGIT DATE CODE.
- 4. FOR DESIGNS UTILIZING 1513472-1 OR 1513472-5 PLEASE SEE TYCO ELECTRONICS DSI513472-1 OR DSI513472-5 RESPECTIVELY.
- 5 FOAM LOCATED INTERNAL ABOVE ANTENNA ELEMENT.

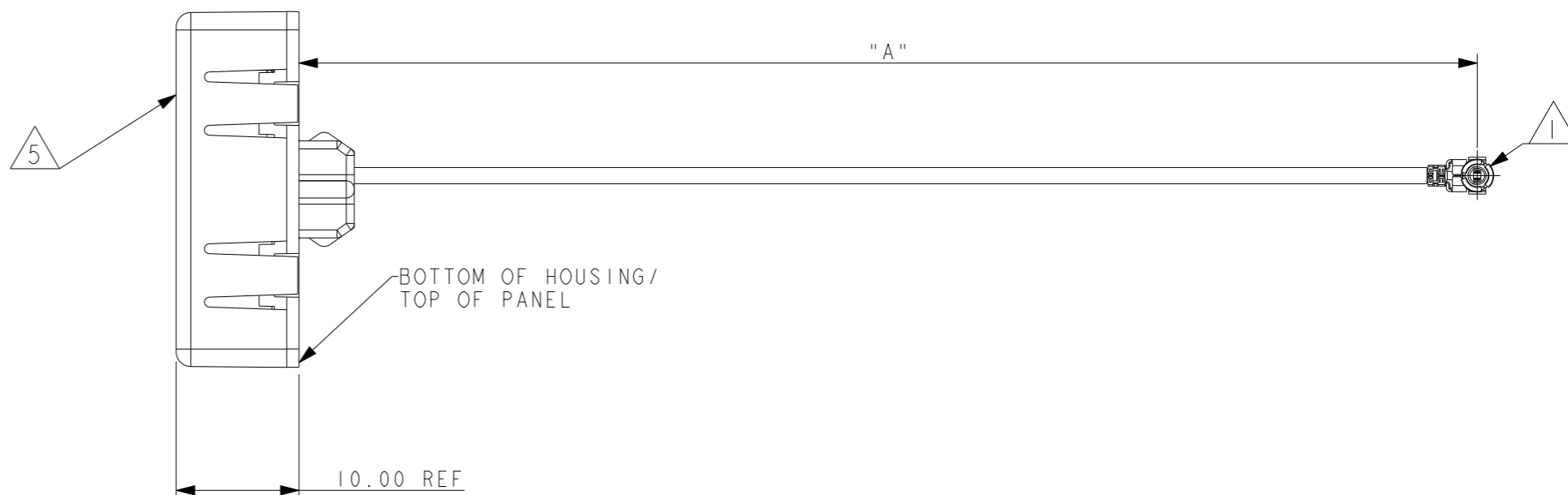
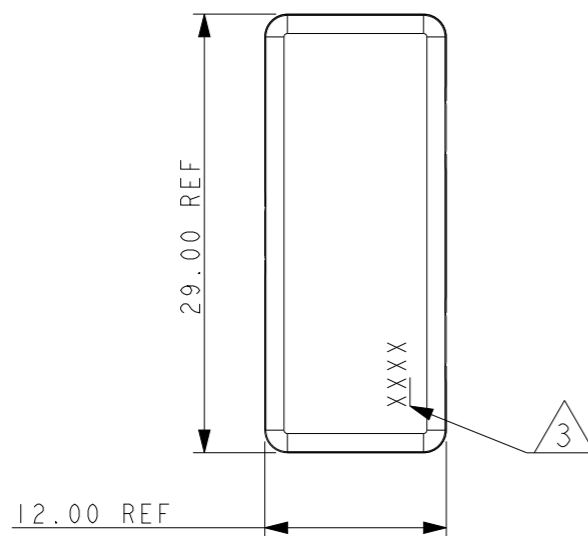
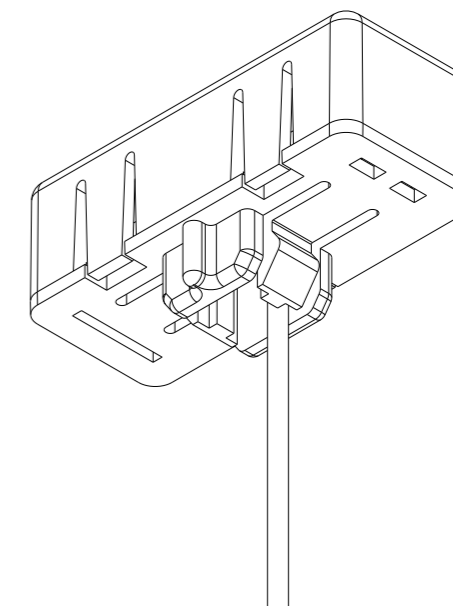
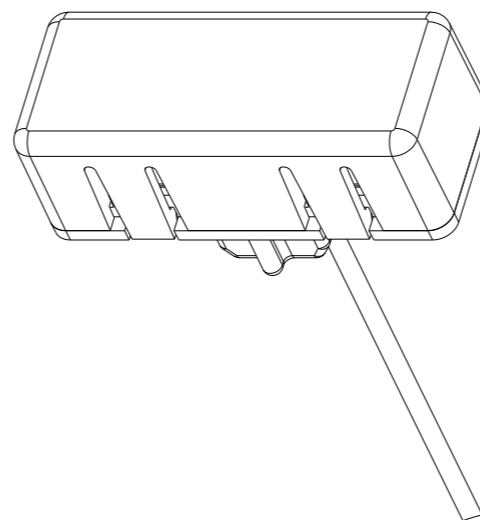
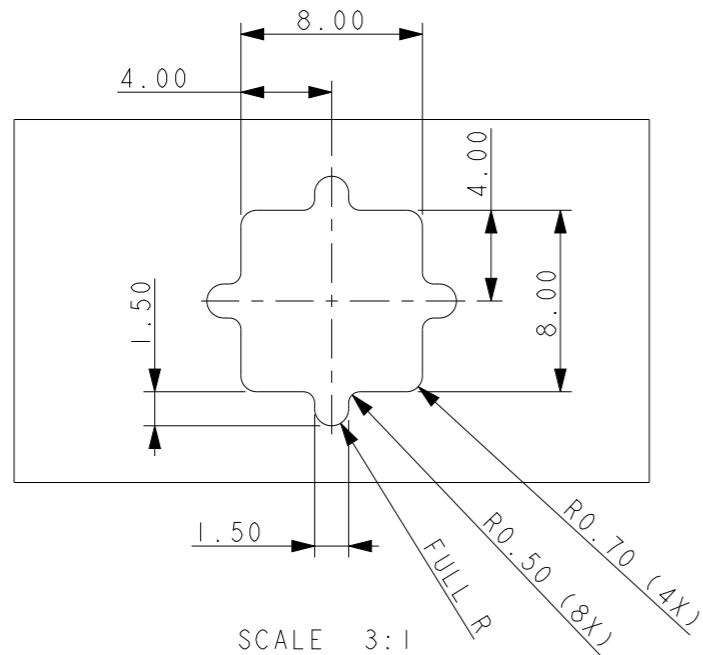
5	-	830±5.0	BLACK	UAM W U.FL+FOAM	2-1513472-6
-	-	500±5.0	GRAY	UAM W MHF4L	2-1513472-5
-	-	500±5.0	BLACK	UAM W MHF4L	2-1513472-4
-	-	600±5.0	BLACK	UAM W MHF4L	2-1513472-3
-	-	210±5.0	BLACK	UAM W MHF4L	2-1513472-0
-	-	85±5.0	GRAY	UAM W MHF4L	1-1513472-9
-	-	210±5.0	BLACK	UAM W U.FL	1-1513472-8
5	-	360±5.0	BLACK	UAM W U.FL+FOAM	1-1513472-7
5	-	250±5.0	BLACK	UAM W U.FL+FOAM	1-1513472-6
-	-	270±5.0	BLACK	UAM W MHF4L	1-1513472-5
-	-	130±5.0	GRAY	UAM W MHF4L	1-1513472-4
-	-	360±5.0	BLACK	UAM W MHF4L	1-1513472-3
-	-	80±5.0	BLACK	UAM W U.FL	1-1513472-2
-	-	345±5.0	BLACK	UAM W U.FL W PROT-TUBE	1-1513472-0
-	-	235±5.0	WHITE	UAM W U.FL	1513472-9
-	-	250±5.0	BLACK	UAM W U.FL	1513472-8
-	X	590±10.0	BLACK	UAM W U.FL+HS SHEET3	1513472-7
-	-	265±5.0	BLACK	UAM W U.FL	1513472-6
-	-	360±5.0	BLACK	UAM W U.FL	1513472-5
-	-	595±5.0	BLACK	UAM W U.FL	1513472-1
FOAM	HEAT SHRINK	CABLE LENGTH "A"	CABLE COLOR	DESCRIPTION CONNECTOR	PART NUMBER

THIS DRAWING IS A CONTROLLED DOCUMENT.		DWN	25FEB2009		 TE Connectivity											
DIMENSIONS: mm		APV														
TOLERANCES UNLESS OTHERWISE SPECIFIED:		CHK														
<table border="0"> <tr><td>0 PLC</td><td>±-</td></tr> <tr><td>1 PLC</td><td>±-</td></tr> <tr><td>2 PLC</td><td>±-</td></tr> <tr><td>3 PLC</td><td>±-</td></tr> <tr><td>4 PLC</td><td>±-</td></tr> <tr><td>ANGLES</td><td>±-</td></tr> </table>		0 PLC	±-	1 PLC		±-	2 PLC	±-	3 PLC	±-	4 PLC	±-	ANGLES	±-	APVD	
0 PLC	±-															
1 PLC	±-															
2 PLC	±-															
3 PLC	±-															
4 PLC	±-															
ANGLES	±-															
MATERIAL		PRODUCT SPEC	UNIVERSAL ANTENNA MODULE (UAM) WLAN		RESTRICTED TO											
		APPLICATION SPEC	A300779		DRAWING NO											
		WEIGHT	C=1513472		SCALE											
		CUSTOMER DRAWING	1:1		SHEET 1 OF 3											
					REV H3											


P	LTR	DESCRIPTION	DATE	DWN	APVD
-	-	SEE SHEET 1	-	-	-

PANEL CUTOUT DIMENSIONS

(Tolerances .XX ±0.10)
0.8mm MAX THICKNESS



BOTTOM OF HOUSING/
TOP OF PANEL

THIS DRAWING IS A CONTROLLED DOCUMENT.		DWN APV	25FEB2009	 TE Connectivity			
DIMENSIONS: mm		CHK	-				
TOLERANCES UNLESS OTHERWISE SPECIFIED:		APVD	-	NAME UNIVERSAL ANTENNA MODULE (UAM) WLAN			
0 PLC ±- 1 PLC ±- 2 PLC ±- 3 PLC ±- 4 PLC ±- ANGLES ±-		PRODUCT SPEC	-				
MATERIAL		APPLICATION SPEC	-	SIZE	CAGE CODE	DRAWING NO	RESTRICTED TO
-		WEIGHT	-	A3	00779	C-1513472	
-		CUSTOMER DRAWING		SCALE	1:1	SHEET	2 OF 3
							REV H3

4

3

2

1

THIS DRAWING IS UNPUBLISHED.

RELEASED FOR PUBLICATION

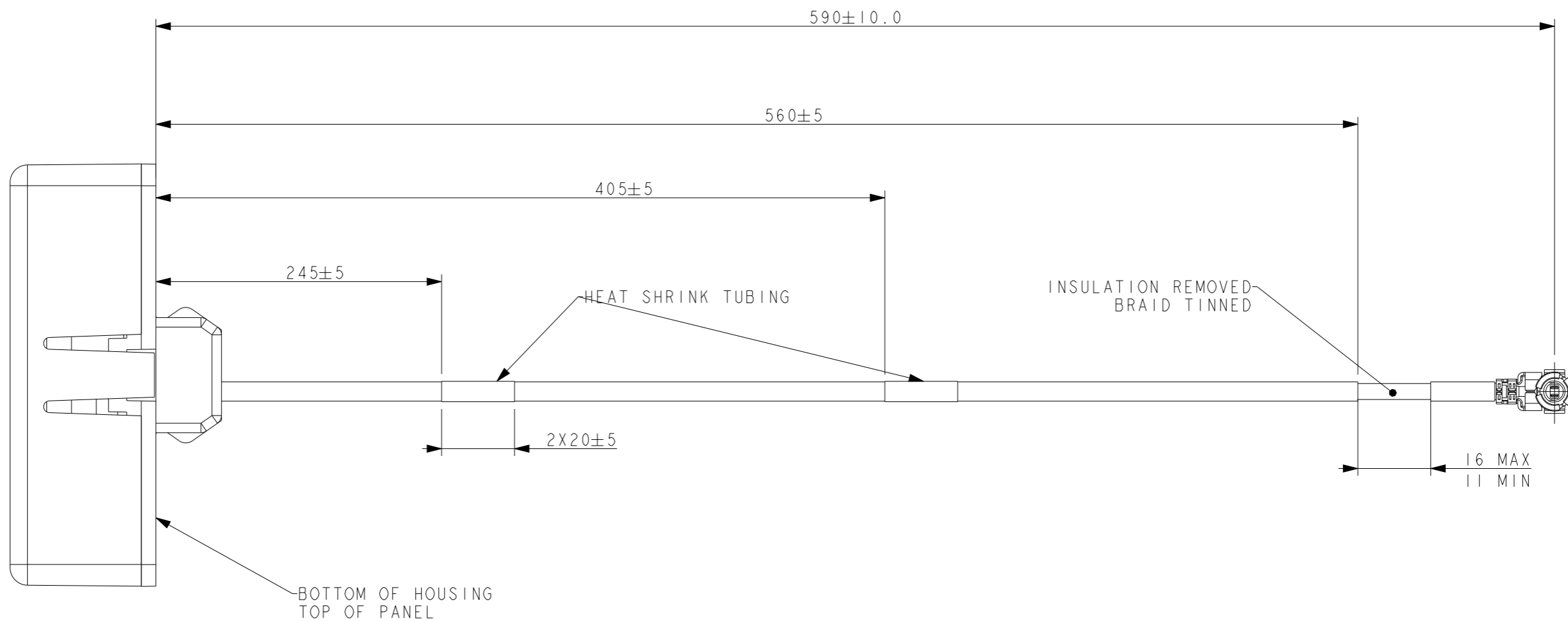
20

REVISIONS



© COPYRIGHT 20

ALL RIGHTS RESERVED.

P	LTR	DESCRIPTION	DATE	DWN	APVD
-	-	SEE SHEET 1	-	-	-



1513472-7 ASSEMBLY ONLY

THIS DRAWING IS A CONTROLLED DOCUMENT.		DWN APV	25FEB2009	 TE Connectivity	
DIMENSIONS: mm		CHK	-		
		TOLERANCES UNLESS OTHERWISE SPECIFIED:		NAME UNIVERSAL ANTENNA MODULE (UAM) WLAN	
MATERIAL		FINISH		PRODUCT SPEC	RESTRICTED TO
-		-		APPLICATION SPEC	SIZE
-		-		WEIGHT	CAGE CODE
-		-		CUSTOMER DRAWING	DRAWING NO
-		-		SCALE	3:1
-		-		SHEET	3 OF 3
-		-		REV	H3