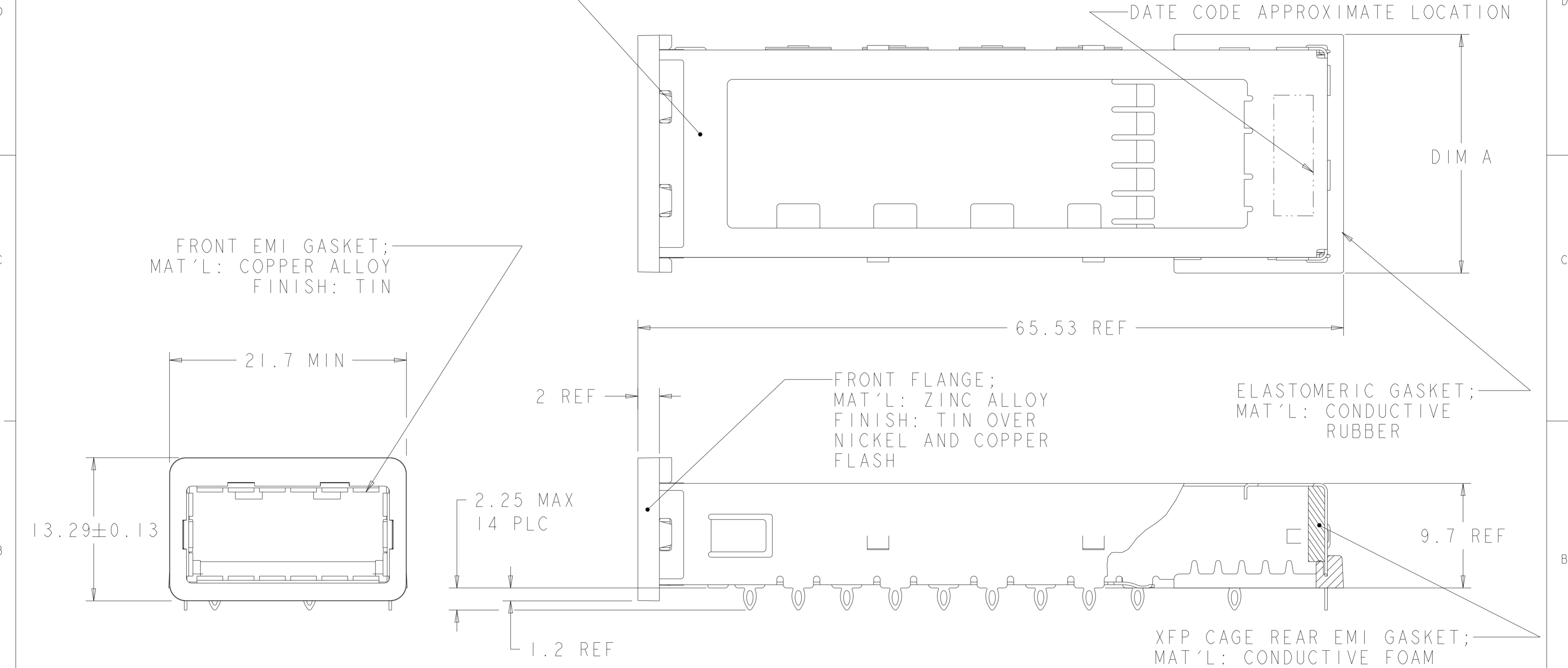


THIS DRAWING IS UNPUBLISHED. RELEASED FOR PUBLICATION 20
 © COPYRIGHT 20 BY - ALL RIGHTS RESERVED.

LOC	DIST	REVISIONS					
ES	00	P	LTR	DESCRIPTION	DATE	DWN	APVD
		F		REVISED	03DEC2012	DZ	AC
		G		REVISED AS PER ECN-23-243336	15DEC2023	-	-

XFP CAGE
 MAT'L: COPPER ALLOY
 FINISH: TIN

DATE CODE APPROXIMATE LOCATION



- ① MATES WITH XFP-MSA COMPLIANT TRANSCEIVERS.
- ② DATUM -X- AND -Y- ESTABLISHED BY CUSTOMER.
- ③ DATUM -A- IS TOP SURFACE OF HOST BOARD.
- ④ INDICATED SURFACES TO BE CONDUCTIVE AND CONNECTED TO CHASSIS GROUND.
- ⑤ THE PART IS PRELIMINARY
- ⑥ THE SELECTIVE DIMENSION 6.1 MAX ONLY FOR CUSTOMER HUAWEL

⑤	22 MAX	NO	1489951-4
	23 MAX	YES	1489951-2
	23 MAX	NO	1489951-1
	DIM A	DATE CODE	PART NUMBER

THIS DRAWING IS A CONTROLLED DOCUMENT.

DIMENSIONS:	TOLERANCES UNLESS OTHERWISE SPECIFIED:	DWN	14AUG02
mm	0 PLC ±	CHK	D. STAHL
	1 PLC ±.1	CHK	J. KOPPENHEFFER
	2 PLC ±.01	APVD	M. WALMSLEY
	3 PLC ±.001	APVD	M. WALMSLEY
	4 PLC ±.0001	PRODUCT SPEC	108-2127
	ANGLES ±	APPLICATION SPEC	114-13096
MATERIAL	FINISH	WEIGHT	-
-	-	Customer Drawing	SCALE 4:1

APVD: M. WALMSLEY 15JAN04

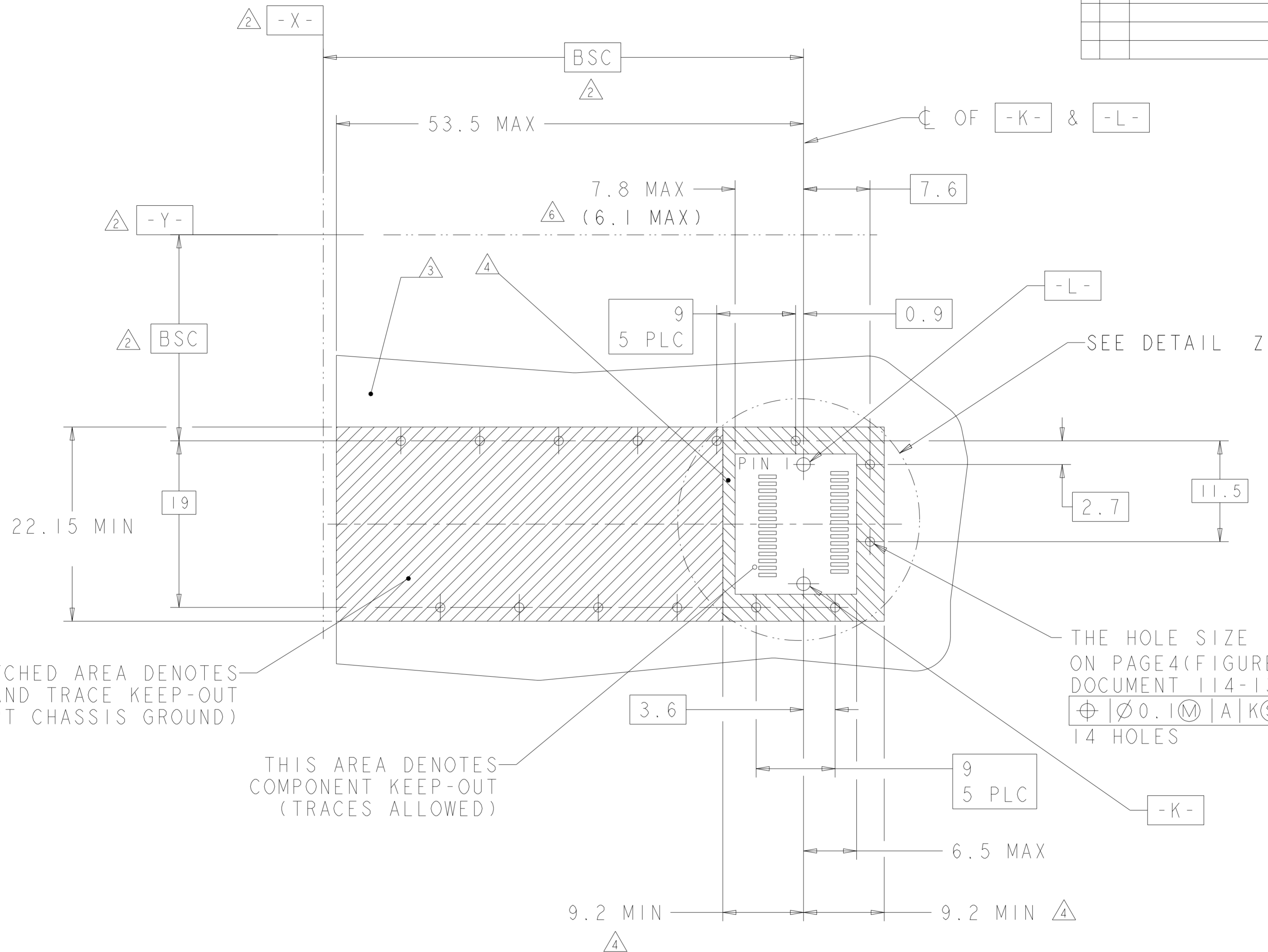
NAME: CAGE ASSEMBLY, 10 GIGABIT, XFP

SIZE: A2 CAGE CODE: 00779 DRAWING NO: 1489951 RESTRICTED TO: -

SHEET 1 OF 3 REV G

THIS DRAWING IS UNPUBLISHED. RELEASED FOR PUBLICATION 20
 © COPYRIGHT 20 BY - ALL RIGHTS RESERVED.

LOC	DIST	REVISIONS					
ES	00	P	LTR	DESCRIPTION	DATE	DWN	APVD
		-		SEE SHEET 1	-	-	-




CROSS-HATCHED AREA DENOTES COMPONENT AND TRACE KEEP-OUT (EXCEPT CHASSIS GROUND)

THIS AREA DENOTES COMPONENT KEEP-OUT (TRACES ALLOWED)

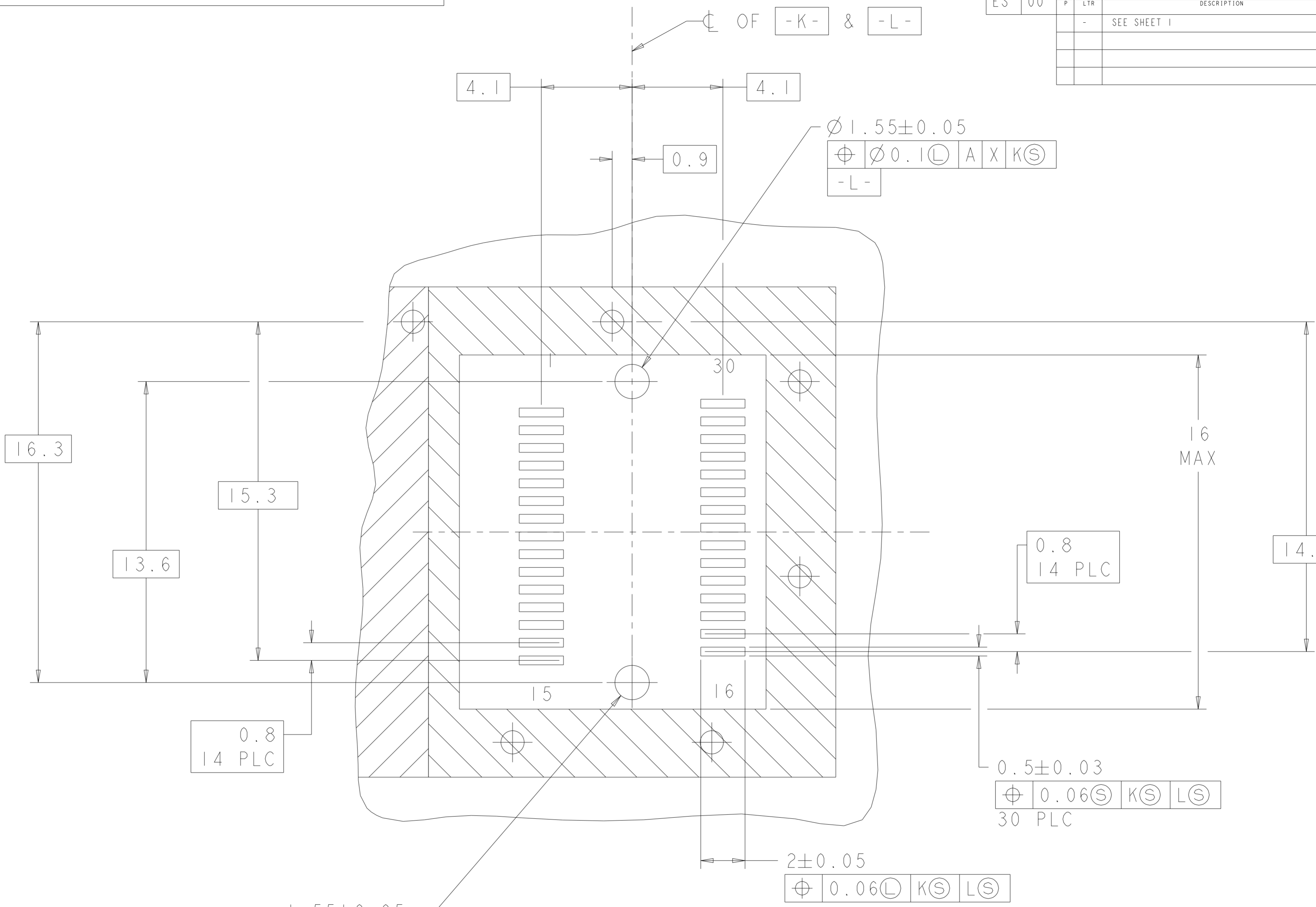
THE HOLE SIZE IS RECOMMENDED ON PAGE 4 (FIGURE 3) OF TE DOCUMENT 114-13096
 $\varnothing 0.1 \text{ (M)}$ | A | K | S | L | S
 14 HOLES

DETAILED HOST BOARD MECHANICAL LAYOUT

THIS DRAWING IS A CONTROLLED DOCUMENT.		DWN D. STAHL	14AUG02	 TE Connectivity
DIMENSIONS: mm		CHK J. KOPPENHEFFER	15JAN04	
TOLERANCES UNLESS OTHERWISE SPECIFIED:		APVD M. WALMSLEY	15JAN04	NAME CAGE ASSEMBLY, 10 GIGABIT, XFP
0 PLC ±.1 1 PLC ±.01 2 PLC ±.001 3 PLC ±.0001 4 PLC ANGLES ±.		PRODUCT SPEC 108-2127		SIZE A200779
MATERIAL		APPLICATION SPEC 114-13096		DRAWING NO C-1489951
FINISH		WEIGHT		RESTRICTED TO
		Customer Drawing	SCALE 4	SHEET 2 OF 3
				REV G

THIS DRAWING IS UNPUBLISHED. RELEASED FOR PUBLICATION 20
 © COPYRIGHT 20 BY - ALL RIGHTS RESERVED.

LOC	DIST	REVISIONS					
ES	00	P	LTR	DESCRIPTION	DATE	DWN	APVD
		-		SEE SHEET 1	-	-	-



DETAILED HOST BOARD MECHANICAL LAYOUT

THIS DRAWING IS A CONTROLLED DOCUMENT.		DWN D. STAHL 14AUG02	TE Connectivity	
DIMENSIONS: mm		CHK J. KOPPENHEFFER 15JAN04		
TOLERANCES UNLESS OTHERWISE SPECIFIED:		APVD M. WALMSLEY 15JAN04	NAME CAGE ASSEMBLY, 10 GIGABIT, XFP	
0 PLC ±.1 1 PLC ±.01 2 PLC ±.001 3 PLC ±.0001 4 PLC ANGLES ±.0001 FINISH ±.		PRODUCT SPEC 108-2127	RESTRICTED TO	
MATERIAL		APPLICATION SPEC 114-13096	SIZE A200779	DRAWING NO C-1489951
		WEIGHT	SCALE 4	SHEET 3 OF 3
		Customer Drawing	REV G	