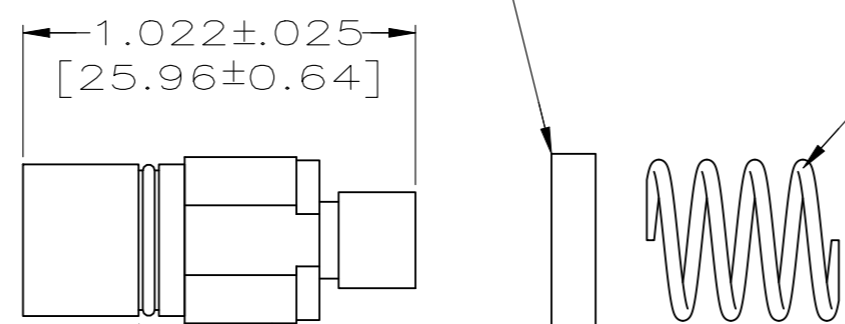


REVISIONS					
P	LTR	DESCRIPTION	DATE	DWN	APVD
H		REV PER ECN-24-256474	14MAR2024	MC	FN

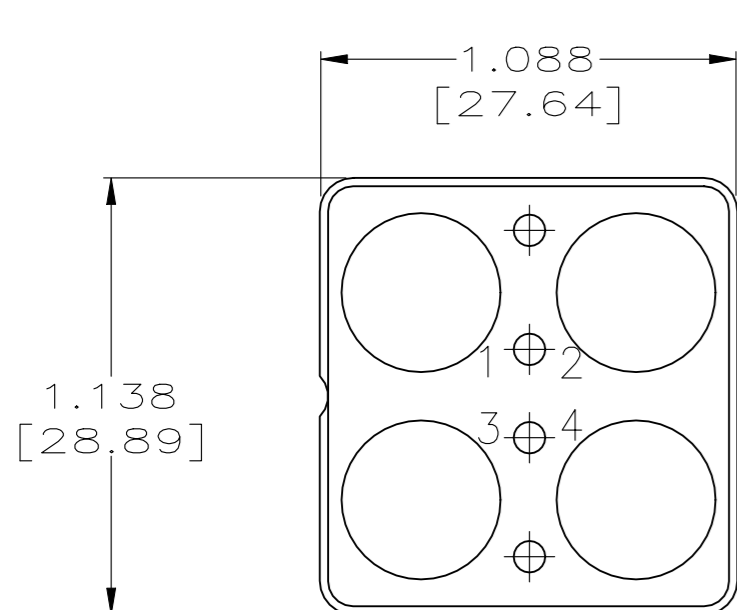
1 2
SPRING SPACER

1 2
COMPRESSION SPRING

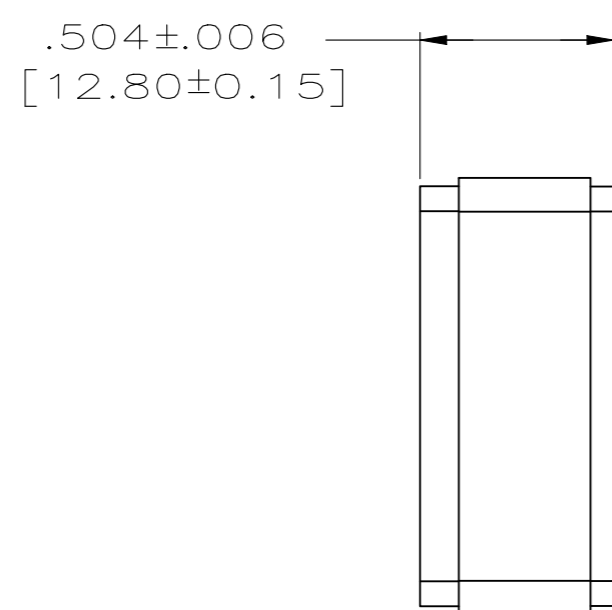


O-RING
MAT'L: BUNA-N (NITRILE)

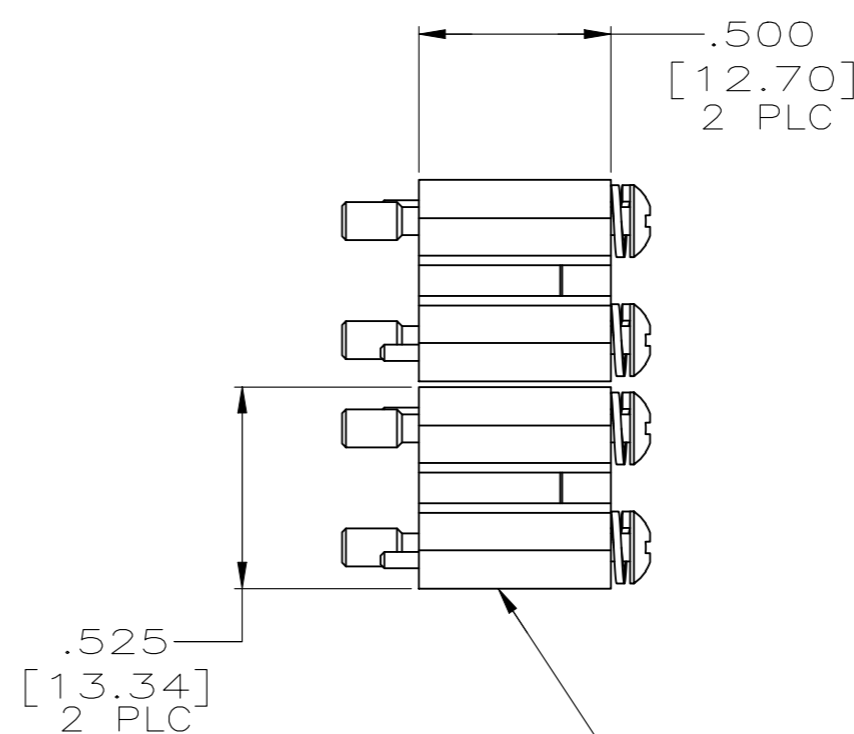
1 2
DUMMY INSERT



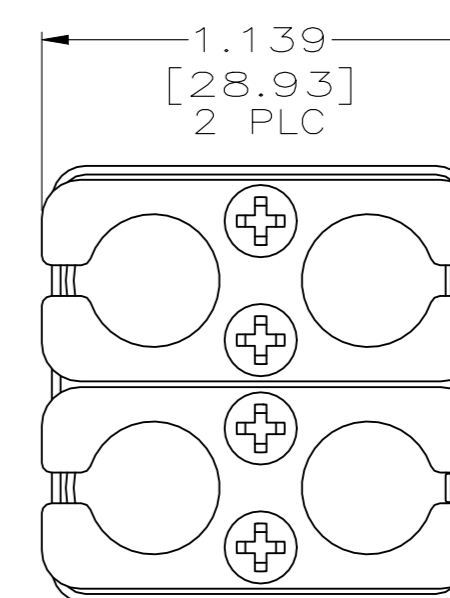
MATING FACE



INSERT
MAT'L: ALUMINUM ALLOY
FINISH: ELECTROLESS NICKEL



HOLD DOWN
MAT'L: ALUMINUM ALLOY
FINISH: ELECTROLESS NICKEL



- 1 ONE DUMMY INSERT, SPRING SPACE, O-RING AND COMPRESSION SPRING SUPPLIED TO PLUG UNUSED CAVITY. INSTALLATION AND LOCATION DETERMINED BY CUSTOMER.
- 2 FOUR DUMMY INSERTS, SPRING SPACERS, O-RING AND COMPRESSION SPRINGS SUPPLIED TO PLUG UNUSED CAVITIES. INSTALLATION TO BE DONE BY CUSTOMER.
- 3. CUSTOMER TO LUBRICATE O-RING WITH LUBRICANT COMPATIBLE WITH NITRILE RUBBER (RECOMMENDED DOW CORNING 55 O-RING LUBRICANT).
- 4 ELECTROLESS NICKEL PLATING OF INSERT, HOLD DOWN PLATE AND SPRING SPACER DOES NOT CONTAIN INTENTIONAL ADDITIONS OF LEAD AND CADMIUM PER DFE STANDARD 230-700.
- 5 PRELIMINARY - NOT RELEASED FOR PRODUCTION

2 4	5-1484662-2
2 4 5	1484662-3
2	1484662-2
1	1484662-1
REMARKS	PART NUMBER

THIS DRAWING IS A CONTROLLED DOCUMENT.		DWN	C.C.THOMAS	2-5-02		NAME				
DIMENSIONS: INCHES		CHK	S.GLATFELTER	2-5-02		INSERT KIT,RCPT,4 POSN., MINI EB,ARINC 600				
TOLERANCES UNLESS OTHERWISE SPECIFIED:		APVD	S.GLATFELTER	2-5-02		SIZE	CAGE CODE	DRAWING NO	RESTRICTED TO	
0 PLC ± - 1 PLC ± - 2 PLC ± - 3 PLC ± .005 [0.13] 4 PLC ± - ANGLES ± -		PRODUCT SPEC	-			A2	00779	C=1484662	-	
MATERIAL	FINISH	WEIGHT	0.000000		SCALE	2:1	SHEET	1 OF 1	REV	H
-		-		CUSTOMER DRAWING						