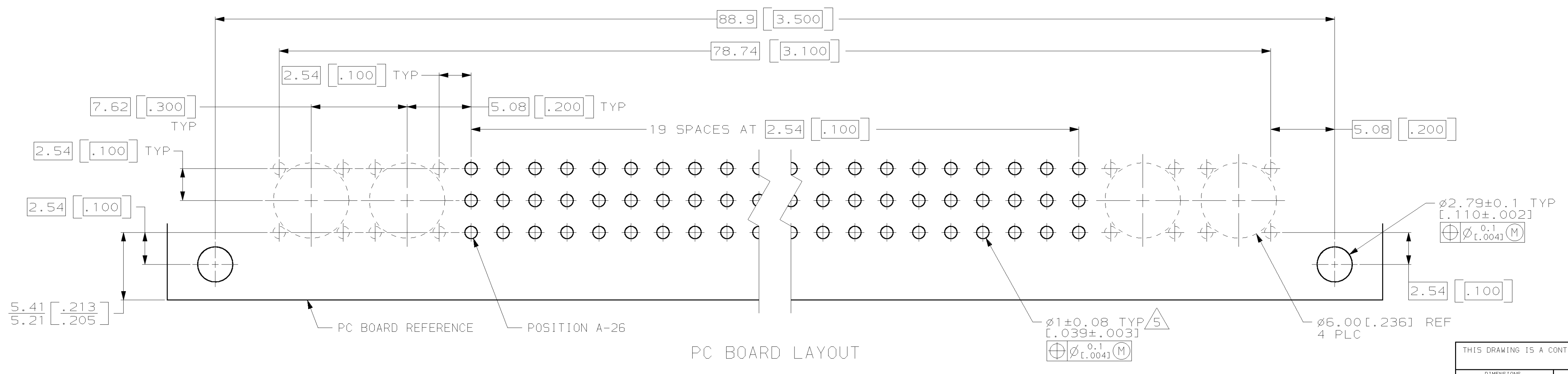
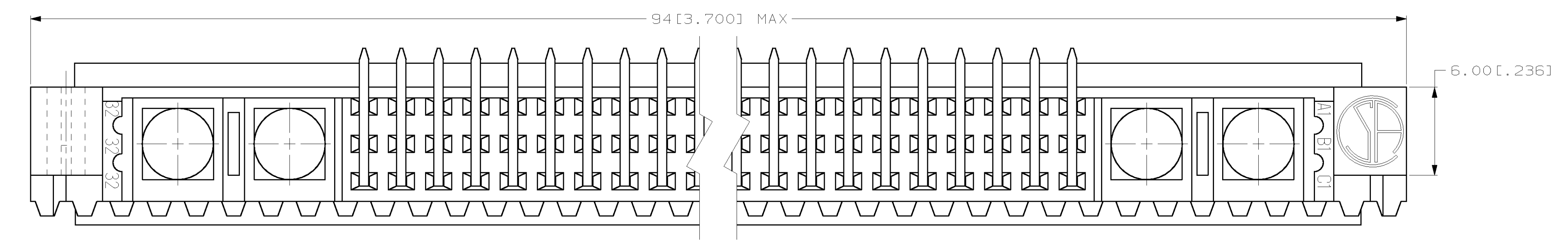
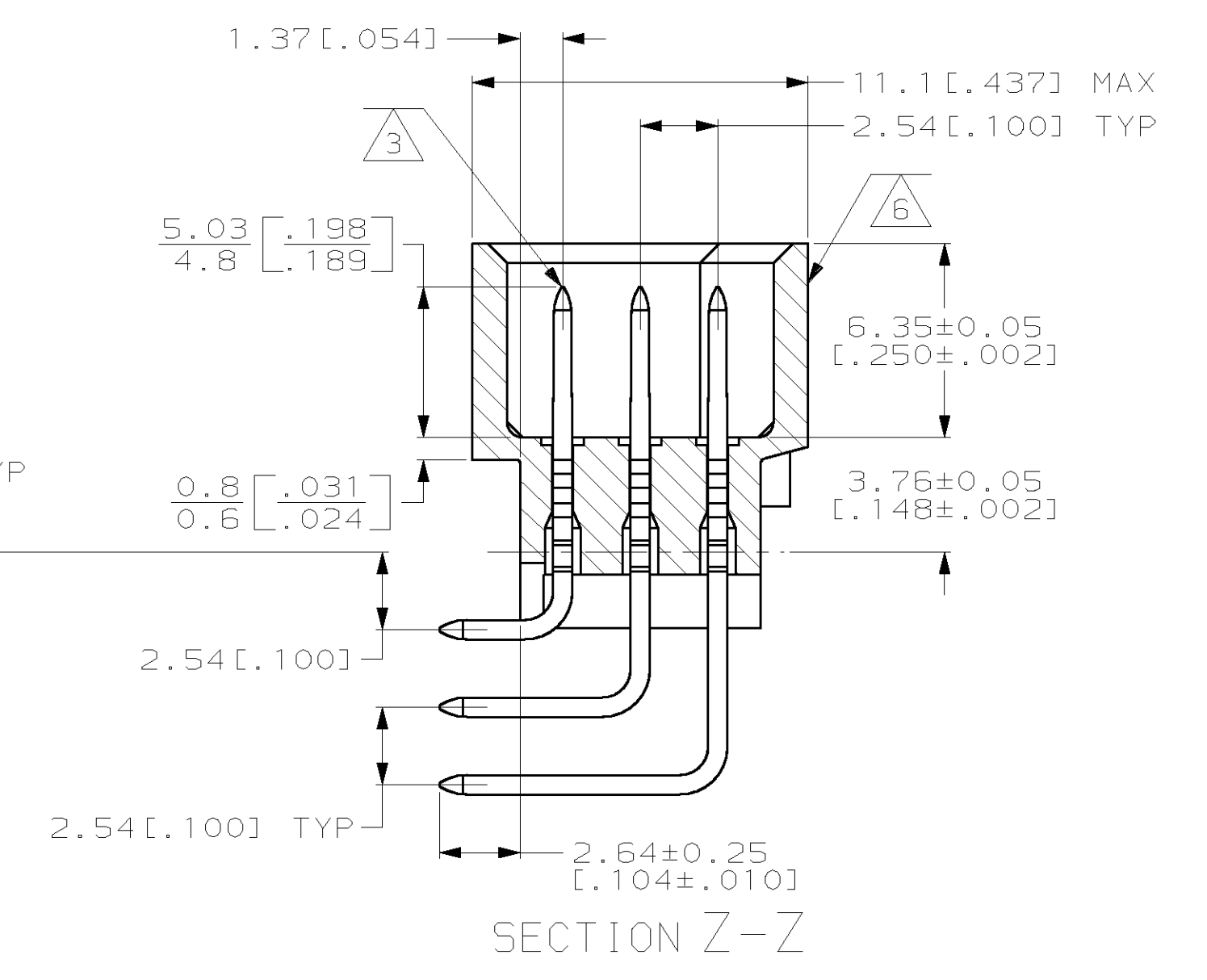
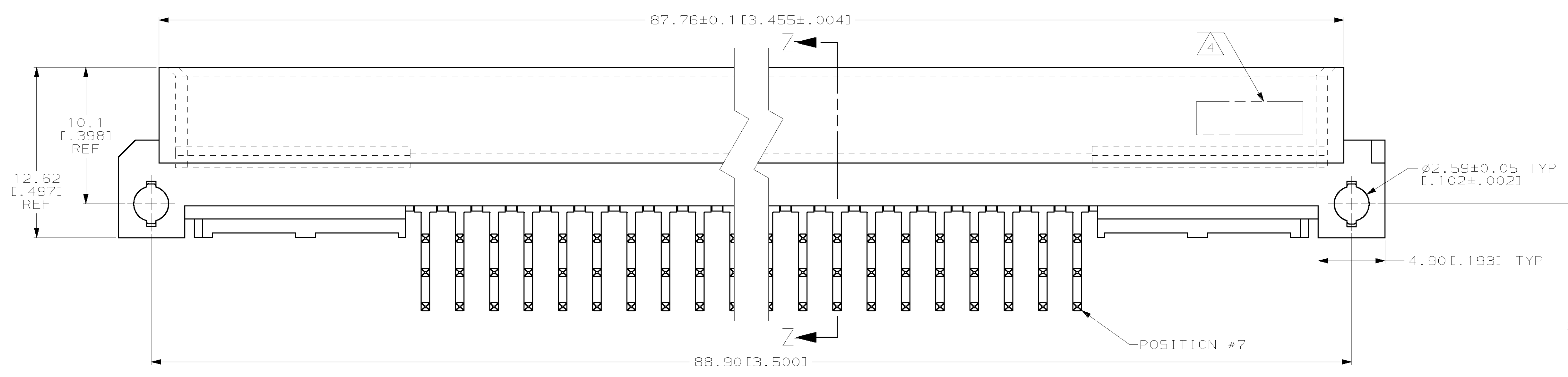
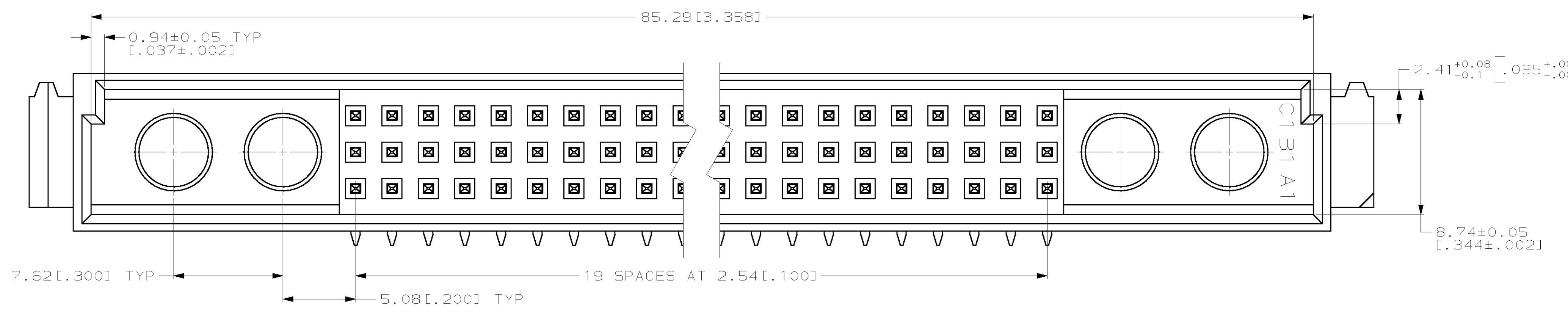


REVISIONS		DATE	OWN	APPROV
AD	25			
0	DRAWN	-	-	-
A	REV PER EC	06 APR 99	BC	CR

- 1 HOUSING MATERIAL: GLASS-FILLED POLYESTER. COLOR: GRAY.
- 2 POST MATERIAL: BRASS.
- 3 POST FINISH: DIN 41612 CLASS 2 IN CONTACT AREA. TIN-LEAD PLATE ON POSTS.
- 4 PART NUMBER AND DATE CODE HOT STAMPED IN THIS APPROXIMATE AREA.
- 5 RECOMMENDED HOLE SIZE FOR MANUAL APPLICATION OF CONNECTOR ONTO PC BOARD.
- 6 HOT STAMPING ON THIS SIDE.



148412-5
PART NUMBER

THIS DRAWING IS A CONTROLLED DOCUMENT.		DWN L. BRINER 12/19/97	AMP Incorporated Harrisburg, PA 17105-3608	
DIMENSIONS: mm		CHK R. PATTERSON 12/19/97	NAME PIN ASSEMBLY, EUROCARD, TYPE M, 60 + 4 POSITION	
TOLERANCES UNLESS OTHERWISE SPECIFIED:		APPROV R. PATTERSON 12/19/97	SIZE A1	
0 PLC ±	1 PLC ±	PRODUCT SPEC	RESTRICTED TO	
2 PLC ±0.13(.005)	3 PLC ±	APPLICATION SPEC	SCALE 5:1 SHEET 1 OF 1 REV A	
4 PLC ±	ANGLES ±	WEIGHT	CUSTOMER DRAWING	
MATERIAL HOUSING: 1	FINISH		A1 00779 C-148412	
POST: 2	POST: 3			