

THIS DRAWING IS UNPUBLISHED.

RELEASED FOR PUBLICATION 19JUNE ,2006.

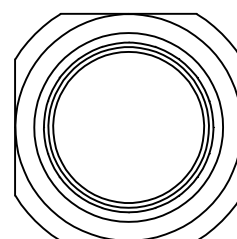
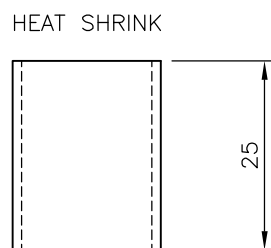
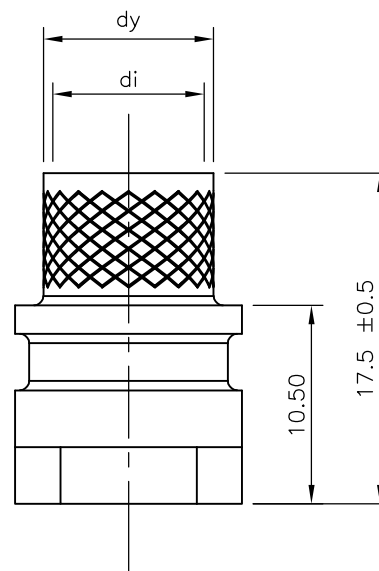
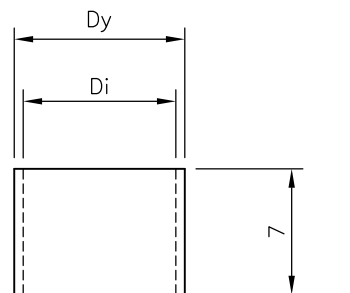
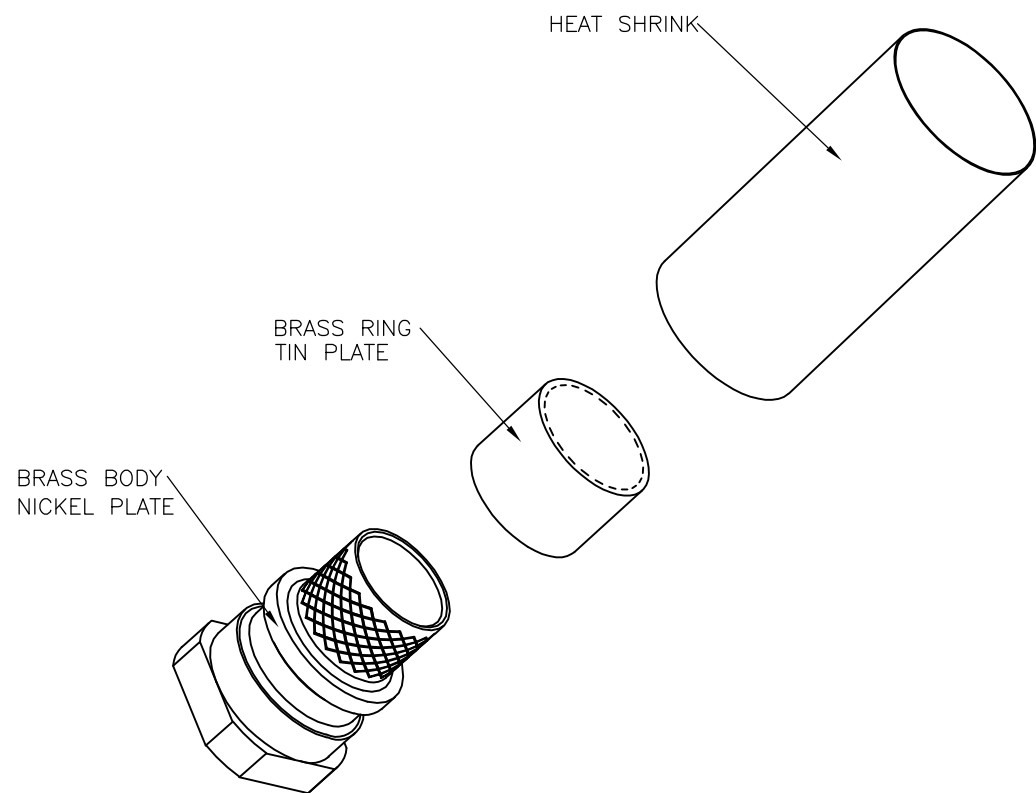
© COPYRIGHT 2006 By -

ALL RIGHTS RESERVED.

LOC GP DIST 00

REVISIONS

P	LTR	DESCRIPTION	DATE	DWN	APVD
	G	REVISED PER ECO-15-000643	24JAN2015	AP	PR



- 1 BULK PACKAGED CRIMP KIT ASSEMBLIES: EACH COMPONENT PACKAGED SEPARATELY IN BAGS, 100 COMPONENTS PER BAG. 1 BAG OF EACH COMPONENT IN 1 BOX WITH 1 LEAFLET PER BOX.
- 2. FOR APPLICATION DETAILS REFER TO LEAFLET 1478531-1.
- 3 INDIVIDUALLY PACKAGED CRIMP KIT ASSEMBLIES. EACH BAG CONTAINS ENOUGH COMPONENTS FOR 1 ASSEMBLY. INCLUDES 1 LEAFLET PER BOX OF 100 BAGS.

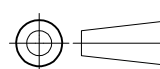
1478764-4	8	9	10	11	9.5mm DIA
1478764-3	7	8	9	10	8.5mm DIA
1478764-2, 5-1478764-2	6	7	8	9	7.5mm DIA
1478764-1, 5-1478764-1	4	5	6	7	6.0mm DIA
PART NUMBER	di	dy	Di	Dy	CABLE MAX DIA

1	CRIMP KIT 7.5mm CABLE	5-1478764-2	△
1	CRIMP KIT 6mm CABLE	5-1478764-1	△
100	CRIMP KIT 9.5mm CABLE	1478764-4	△
100	CRIMP KIT 8.5mm CABLE	1478764-3	△
100	CRIMP KIT 7.5mm CABLE	1478764-2	△
100	CRIMP KIT 6mm CABLE	1478764-1	△
COMPONENTS/ BAG	DESCRIPTION	PART NUMBER	

THIS DRAWING IS A CONTROLLED DOCUMENT. DIMENSIONING AND TOLERANCING PER ASME Y14.5M (ISO STANDARDS)

DIMENSIONS:

mm



TOLERANCES UNLESS OTHERWISE SPECIFIED:

0 PLC	± -
1 PLC	± -
2 PLC	± -
3 PLC	± -
4 PLC	± -
ANGLES	± -

MATERIAL

FINISH

DWN 19JUN2006

A. Morey

CHK 20JUN06

F. Wheeler-King

APVD 20JUN06

F. Wheeler-King

PRODUCT SPEC

APPLICATION SPEC

WEIGHT

CUSTOMER DRAWING

STE TE Connectivity

CRIMP KIT FOR ADK SERIES AND PLATED PLASTIC BACKSHELLS

SIZE	CAGE CODE	DRAWING NO	RESTRICTED TO
A3	00779	C-1478764	-

SCALE NTS SHEET 1 OF 1 REV G