

| P | LTR | DESCRIPTION               | DATE      | DWN   | APVD   |
|---|-----|---------------------------|-----------|-------|--------|
|   | D   | REVISED PER ECR-15-003625 | 27OCT2021 | ED    | WH     |
|   | C   | ECO-11-010168             | 17MAY2011 | TITAN | MARTIN |

NOTES:

- 1 PACK IN ACCORDANCE WITH AMP SPEC 107-3275
- 2 100 TRAY PACK IN ACCORDANCE WITH AMP SPEC 107-3275
- 3 Au PLATING
- 4 Ni PLATING
- 5 Sn PLATING

6 ELECTRICAL CHARACTERISTICS

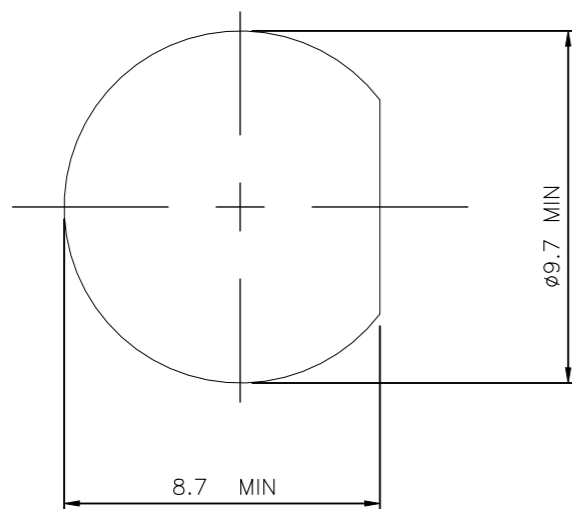
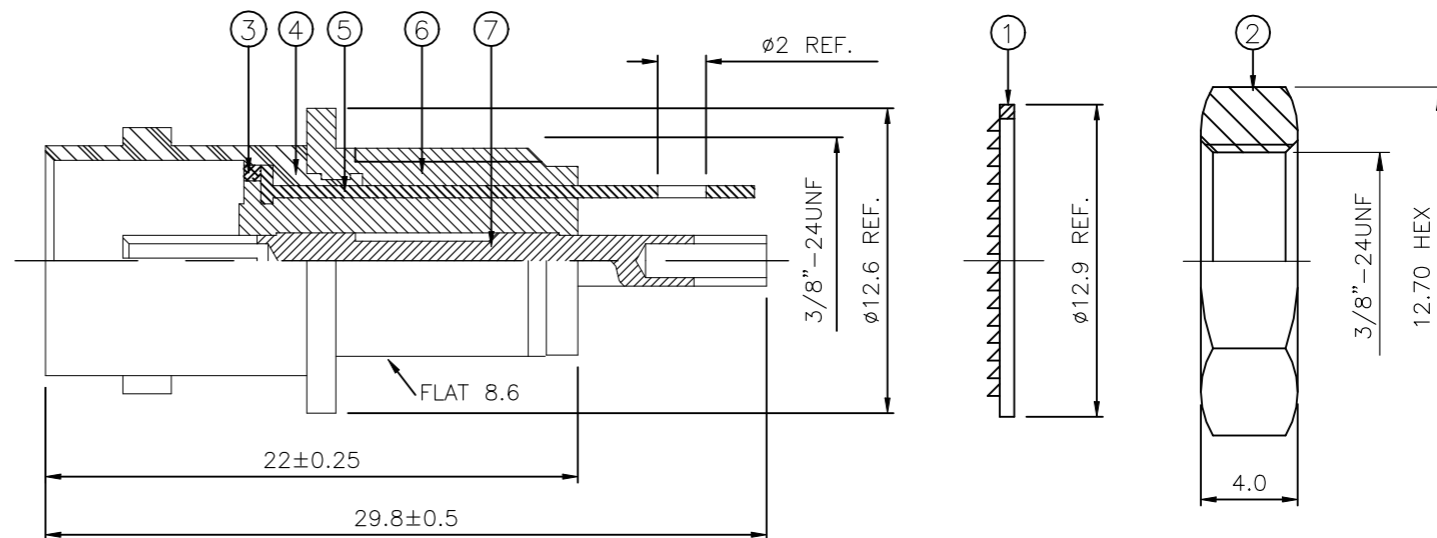
FREQUENCY RANGE: DC - 1 GHz  
 NOMINAL IMPEDANCE: 75 Ohms  
 INSULATION RESISTANCE: 5000 MOhms Min.  
 WORKING VOLTAGE: 500 Volts RMS at Sea Level  
 DIELECTRIC WITHSTAND VOLTAGE: 1500 Volts RMS Max  
 CONTACT RESISTANCE:  
 CENTRE CONTACT: 1.50 mOhms Max  
 OUTER CONTACT: 1.0 mOhms Max  
 VSWR @ xGHz: 1.5 MAX. @0.3 GHz  
 INSERTION LOSS xdb: 0.5 dB MAX. @0.3 GHz

7 MECHANICAL CHARACTERISTICS

DURABILITY: 500 MATINGS

8 ENVIRONMENTAL CHARACTERISTICS

OPERATING TEMPERATURE: -40 to +60 DegC



MOUNTING HOLE

| QTY  | QTY PER ASSY | QTY PER ASSY | MATERIAL | DESCRIPTION    | ITEM |
|------|--------------|--------------|----------|----------------|------|
| 1    | 1            | 1            | BRASS    | CENTER CONTACT | 7    |
| 1    | 1            | 1            | ABS      | BODY II        | 6    |
| 1    | 1            | 1            | BRASS    | GROUNDING TAB  | 5    |
| 1    | 1            | 1            | BRASS    | BODY I         | 4    |
| 1    | 1            | 1            | BRASS    | WASHER         | 3    |
| 1    | 1            | 1            | BRASS    | NUT            | 2    |
| 1    | 1            | 1            | STEEL    | WASHER         | 1    |
| 6--0 | 1--0         |              | MATERIAL | DESCRIPTION    | ITEM |

|  |                     |                                   |   |              |                    |                         |                    |       |       |       |       |        |       |     |
|--|---------------------|-----------------------------------|---|--------------|--------------------|-------------------------|--------------------|-------|-------|-------|-------|--------|-------|-----|
| THIS DRAWING IS A CONTROLLED DOCUMENT.   |                     | DWN<br>J.SANDWELL<br>14JUN06      | TE Connectivity<br><b>BNC INSULATED BULKHEAD JACK<br/>         FRONT MOUNT 75 OHM</b> |              |                    |                         |                    |       |       |       |       |        |       |     |
| DIMENSIONS:<br>mm  |                     | CHK<br>S.PARLOW<br>14JUN06        |   |              |                    |                         |                    |       |       |       |       |        |       |     |
| TOLERANCES UNLESS OTHERWISE SPECIFIED:   |                     | APVD<br>F.WHEELER-KING<br>14JUN06 |   |              |                    |                         |                    |       |       |       |       |        |       |     |
| <table border="1"> <tr><td>0 PLC</td><td>± -</td></tr> <tr><td>1 PLC</td><td>± 0.2</td></tr> <tr><td>2 PLC</td><td>± 0.1</td></tr> <tr><td>3 PLC</td><td>± 0.05</td></tr> <tr><td>4 PLC</td><td>± -</td></tr> <tr><td>ANGLES</td><td>± 5°</td></tr> </table> |                     | 0 PLC                             |   |              |                    | ± -                     | 1 PLC              | ± 0.2 | 2 PLC | ± 0.1 | 3 PLC | ± 0.05 | 4 PLC | ± - |
| 0 PLC  | ± -                 |                                   |   |              |                    |                         |                    |       |       |       |       |        |       |     |
| 1 PLC  | ± 0.2               |                                   |   |              |                    |                         |                    |       |       |       |       |        |       |     |
| 2 PLC  | ± 0.1               |                                   |   |              |                    |                         |                    |       |       |       |       |        |       |     |
| 3 PLC  | ± 0.05              |                                   |   |              |                    |                         |                    |       |       |       |       |        |       |     |
| 4 PLC  | ± -                 |                                   |   |              |                    |                         |                    |       |       |       |       |        |       |     |
| ANGLES   | ± 5°                |                                   |   |              |                    |                         |                    |       |       |       |       |        |       |     |
| MATERIAL<br>SEE TABLE  | FINISH<br>SEE TABLE | PRODUCT SPEC<br>-                 | APPLICATION SPEC<br>-   | SIZE<br>A3   | CAGE CODE<br>00779 | DRAWING NO<br>C-1478048 | RESTRICTED TO<br>- |       |       |       |       |        |       |     |
| CUSTOMER DRAWING   |                     |                                   | WEIGHT<br>0.000000  | SCALE<br>NTS | SHEET<br>1 OF 1    | REV<br>D                |                    |       |       |       |       |        |       |     |