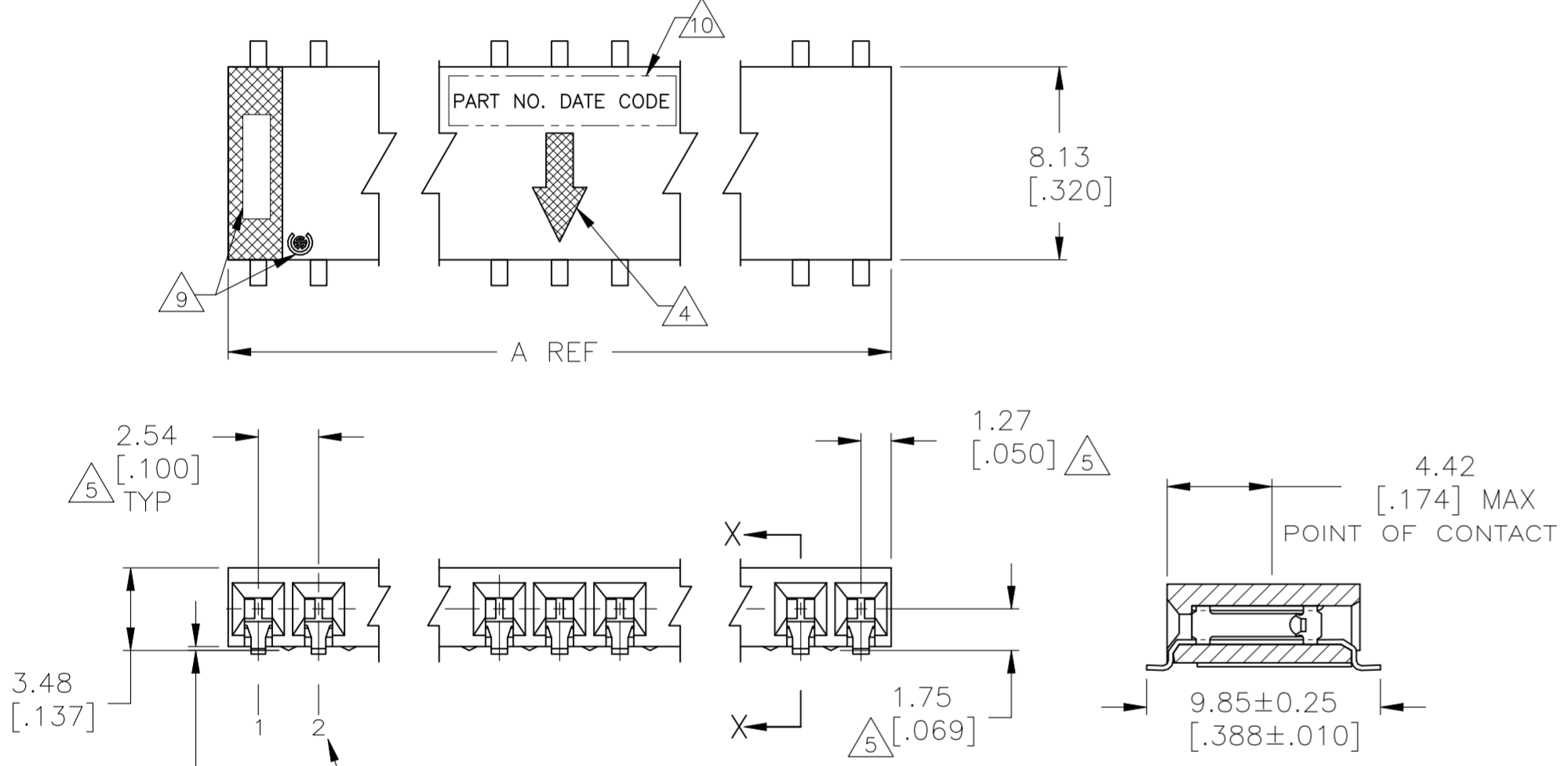


REVISIONS					
P	LTR	DESCRIPTION	DATE	DWN	APVD
	F	RESIN SUPPLIER CHANGE FOR THE HOUSING	03DEC2021	SCB	KJK

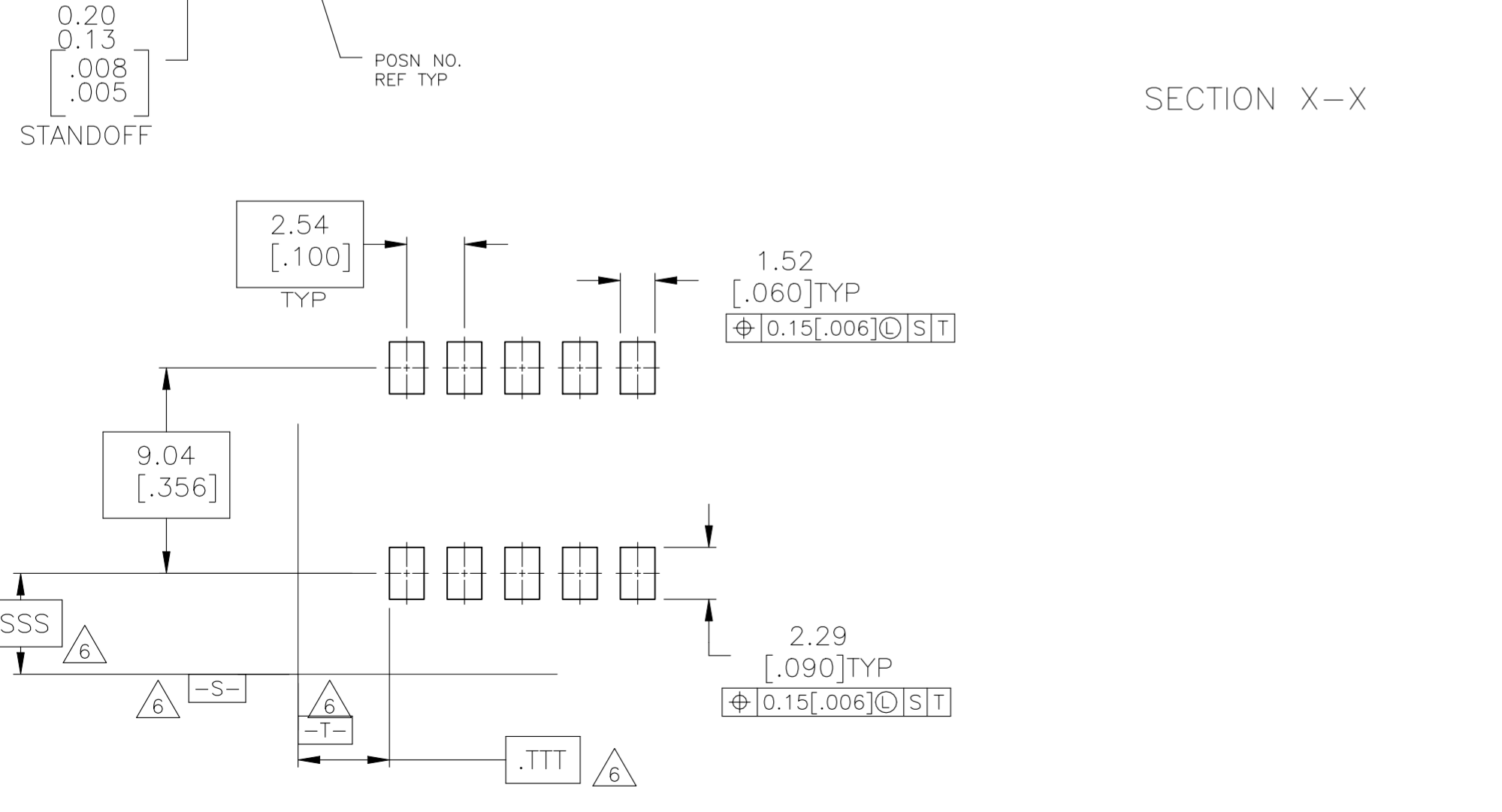
- 1 HOUSING: GLASS FILLED POLYESTER, PCT, COLOR: BLACK
- 2 CONTACT: PHOSPHOR BRONZE
- 3 CONTACT: DUPLEX PLATING 0.00076[.000030] GOLD IN CONTACT AREA, 0.00381-0.00762[.000150-.000300] TIN-LEAD ON SOLDER LEADS ALL OVER 0.00127-0.00254[.000050-.000100] NICKEL.
- 4 MOLDED IN ARROW DESIGNATES MATING FACE OF CONNECTOR.
- 5 DIMENSIONS PERTAINS TO CAVITY CENTERLINES.
- 6 DATUMS AND BASIC DIMENSIONS ARE ESTABLISHED BY THE CUSTOMER.
- 7 OBSOLETE PART
- 8 NO PART NUMBER MARKING REQUIRED FOR THIS PART.

- 9 TE LOGO AND CSA LOGO ARE MOLDED INTO HOUSING, THIS LOCATION.
- 10 MARK PART NUMBER AND DATE CODE IN APPROXIMATE LOCATION SHOWN, EITHER END.
- 11 SUPERSEDED BY 5147721-2

101.60[4.000]	40	3-147721-9
99.06[3.900]	39	3-147721-8
96.52[3.800]	38	3-147721-7
93.98[3.700]	37	3-147721-6
91.44[3.600]	36	3-147721-5
88.90[3.500]	35	3-147721-4
86.36[3.400]	34	3-147721-3
83.82[3.300]	33	3-147721-2
81.28[3.200]	32	3-147721-1
78.74[3.100]	31	3-147721-0
76.20[3.000]	30	2-147721-9
73.66[2.900]	29	2-147721-8
71.12[2.800]	28	2-147721-7
68.58[2.700]	27	2-147721-6
66.04[2.600]	26	2-147721-5
63.50[2.500]	25	2-147721-4
60.96[2.400]	24	2-147721-3
58.42[2.300]	23	2-147721-2
55.88[2.200]	22	2-147721-1
53.34[2.100]	21	2-147721-0
50.80[2.000]	20	1-147721-9
48.26[1.900]	19	1-147721-8
45.72[1.800]	18	1-147721-7
43.18[1.700]	17	1-147721-6
40.64[1.600]	16	1-147721-5
38.10[1.500]	15	1-147721-4
35.56[1.400]	14	1-147721-3
33.02[1.300]	13	1-147721-2
30.48[1.200]	12	1-147721-1
27.94[1.100]	11	1-147721-0
25.40[1.000]	10	147721-9
22.86[.900]	9	147721-8
20.32[.800]	8	147721-7
17.78[.700]	7	147721-6
15.24[.600]	6	147721-5
12.70[.500]	5	147721-4
10.16[.400]	4	147721-3
7.62[.300]	3	147721-2
5.08[.200]	2	147721-1



7	165.10[6.500]	65	6-147721-4
7	162.56[6.400]	64	6-147721-3
7	160.02[6.300]	63	6-147721-2
7	157.48[6.200]	62	6-147721-1
7	152.94[6.100]	61	6-147721-0
7	152.40[6.000]	60	5-147721-9
7	149.86[5.900]	59	5-147721-8
7	147.32[5.800]	58	5-147721-7
7	144.78[5.700]	57	5-147721-6
7	142.24[5.600]	56	5-147721-5
7	139.70[5.500]	55	5-147721-4
7	137.16[5.400]	54	5-147721-3
7	134.62[5.300]	53	5-147721-2
7	132.08[5.200]	52	5-147721-1
7	129.54[5.100]	51	5-147721-0
7	127.00[5.000]	50	4-147721-9
7	124.46[4.900]	49	4-147721-8
7	121.92[4.800]	48	4-147721-7
7	119.38[4.700]	47	4-147721-6
7	116.84[4.600]	46	4-147721-5
7	114.30[4.500]	45	4-147721-4
7	111.76[4.400]	44	4-147721-3
7	109.22[4.300]	43	4-147721-2
7	106.68[4.200]	42	4-147721-1
7	104.14[4.100]	41	4-147721-0



A	NO OF POSN	PART NUMBER	A	NO OF POSN	PART NUMBER

THIS DRAWING IS A CONTROLLED DOCUMENT.

DIMENSIONS:	TOLERANCES UNLESS OTHERWISE SPECIFIED:
mm [INCHES]	0 PLC ± -
	1 PLC ± -
	2 PLC ± -
	3 PLC ± .005
	4 PLC ± -
	ANGLES ± -
MATERIAL	FINISH
1 2	3

25OCT01

DWN M.BINNER

CHK -

APVD -

PRODUCT SPEC -

APPLICATION SPEC -

WEIGHT -

CUSTOMER DRAWING

TE Connectivity

AMPMODU MODII RECPT. ASSY., HORZ., SURFACE MOUNT, .100CL, 1 ROW CLOSED ENTRY, END STACK

SIZE A2 CAGE CODE 00779 DRAWING NO C=147721

RESTRICTED TO -

SCALE 5:1 SHEET 1 OF 1 REV F

RECOMMENDED PC BOARD LAYOUT