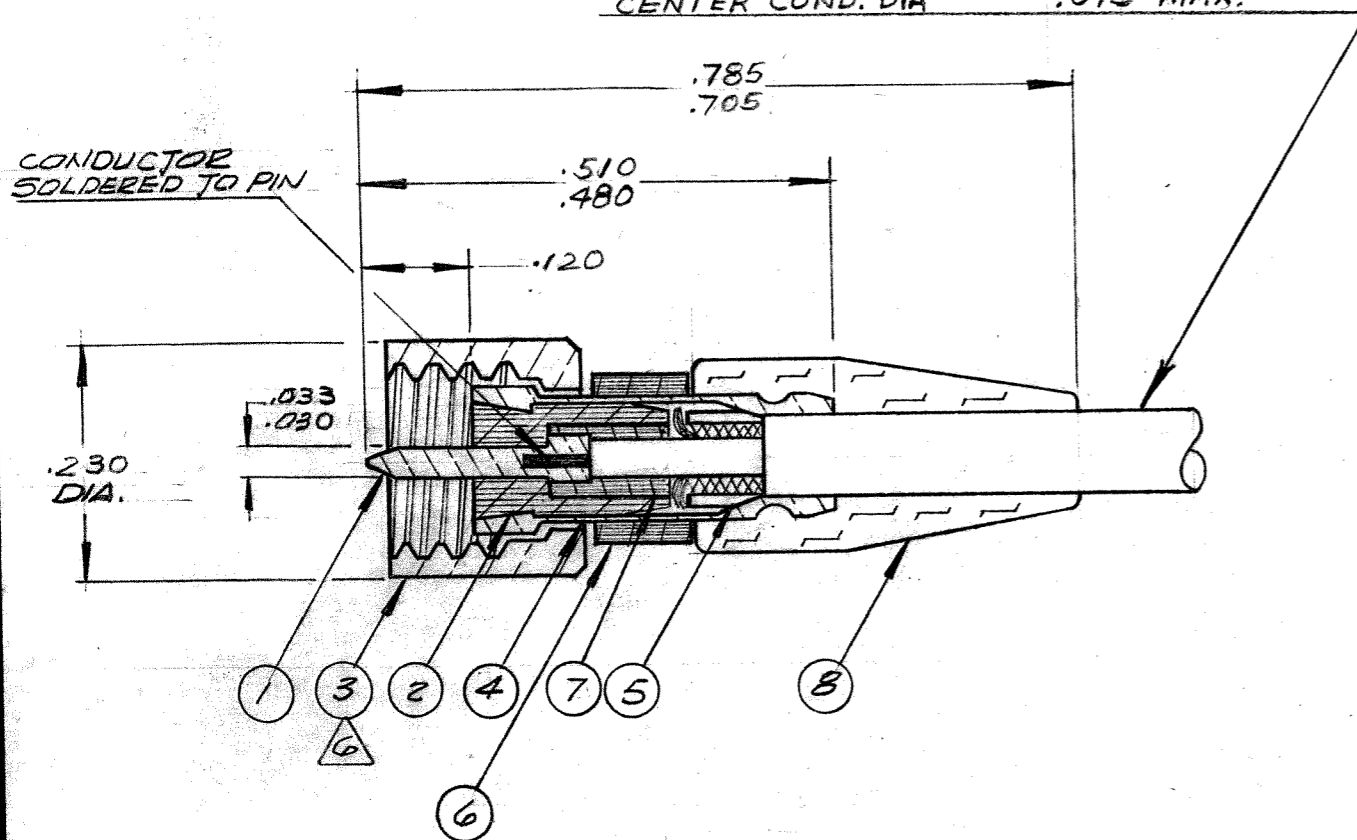


CABLE ACCEPTANCE DIMS.
 JACKET DIA. .087 MAX.
 SHIELD DIA. .061 MAX.
 DIELECTRIC DIA. .041 MAX.
 CENTER COND. DIA. .015 MAX.



Tyco Dwg 1466293
 Micro P/N 032-0023-0001

1	003-0270-0000	B.R. CAP (BLACK)	SILICONE RUBBER, ZZ-R-765		8
1	003-0153-0001	INSULATOR	TEFLON, PER L-P-403		7
1	003-0597-0001	PIN PROTECTOR	TEFLON, PER L-P-403		6
1	003-0163-0001	CLAMP RING	BRASS, PER QQ-B-626	4	5
1	003-0160-0001	FERRULE	BRASS, PER QQ-B-626	4	4
1	003-0029-0001	NUT	BRASS, PER QQ-B-626	4	3
1	003-0205-0001	INSULATOR	TEFLON, PER L-P-403		2
1	003-0360-0002	PIN	BRASS PER QQ-B-626	5	1
QTY	PART NO.	NOMENCLATURE	MAT'L & SPEC.	FINISH	ITEM

- 7. 032-0023-0001 SAME AS 032-0023-1
 - 6 MALE DIAMOND KNURL.
 - 5 GOLD PLATE PER MIL-G-45204, TYPE II, GRADE C, CLASS 1
 - 4 SILVER PLATE .0002 MIN. PER QQ-S-365, TYPE II, GRADE A.
 - 3. MALCO ASSEMBLY TOOL 010-0003-0000 REQ'D.
 - 2. FOR ASSY INSTR. SEE RF-ASMB-89.
 - 1. THIS CONNECTOR MATES WITH ALL S-50 JACKS & RECEPTACLES AS LISTED IN MALCO CATALOG.
- NOTES: UNLESS OTHERWISE SPECIFIED

STANDARD TOLERANCES UNLESS OTHERWISE SPECIFIED DEC. ± .010 FRAC. ± 1/32 ANGLES ± ECCENTRICITY MAX. T.I.R. HOLE DIA. ± SURFACE ROUGHNESS MICRO INCHES THREADS TO MIL-S-7742 COMMERCIAL TOLERANCES APPLY TO STOCK DIMENSIONS		MALCO A MICRODOT COMPANY, INC. 220 PASADENA AVE., SO. PASADENA, CAL	
AA 386/39 UPDATE REV. LETTER PS 2/19 PS		SURFACE TREATMENT NOTED	
Z 2532 ITEM 8, WAS 003-0031-0000 B D 2/19 PS		MATERIAL NOTED	
Y 2370 TOLERANCE CORRECTED. .785, .705 WAS .760/.715, .230 DIA. WAS .240 DIA. 2/19 PS		APP G.P.F. APP.	
W 2148 DIMENSIONS, NOTES & MAT'L SPECS UPDATED. 2/19 PS		CHECKED BY C.E.H. DRAWN BY M.F.M.	
V 1614 REV. LETTER UP-DATED 2/19 PS		SCALE WT DATE 931 2 5/12/54	
T 6073 COMPONENT NO UP-DATED 6/16 2/19 PS		DRAWING NUMBER 032-0023-0001	
S 597 REDRAWN, PART NO. UPDATED 2/19 PS		CODE CDM	
ASSEMBLY	NO REQ'D	LET	ECO
NEXT ASSEMBLIES		BY	DATE
		CK	APP

PLUG
STRAIGHT S-50