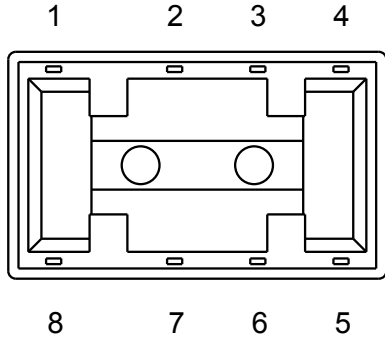
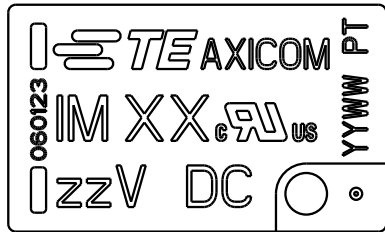
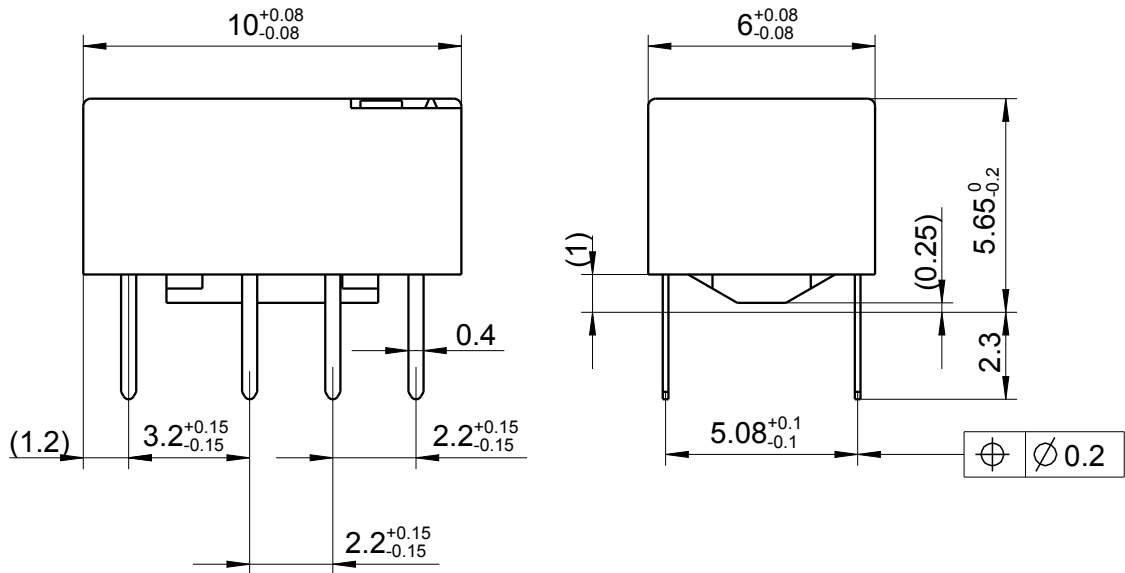


LOC	DIST	REVISIONS					
		P	LTR	DESCRIPTION	DATE	DWN	APVD
HJ	-						
		A2		Doc change E2003-DOK02 to C-1462037-7	16JUN2008	UKo	HD
		A3		additional marking	10OCT2008	UKo	HD
		A4		REVISED PER ECO-11-005150	25MAR2011	UKo	AK
		A5		REVISED PER ECR-13-014508 (TE-Logo)	16SEP2013	UKo	AK



Relay - bottom view



XX = Relay type
 ZZ = nominal voltage
 YYWW = Date code

THIS DRAWING IS UNPUBLISHED. ALL RIGHTS RESERVED. COPYRIGHT © 2000

DRAWING ALIAS: E2003-DOK02

DIMENSIONS: mm	DWN UKo 9193	21JUN1999	MATERIAL	-	FINISH	-
	CHK HD 9121	21JUN1999	TE Connectivity			
TOLERANCES UNLESS OTHERWISE SPECIFIED: DIN 7168-m	APVD HD 9121	21JUN1999				
0 PLC ±	PRODUCT SPEC	-	NAME			IM-Relay THT short
1 PLC ±		-	Dimensions			
2 PLC ±	APPLICATION SPEC	-	SIZE	CAGE CODE	DRAWING NO	RESTRICTED TO
3 PLC ±		-	A4	00779	C-1462037-7	-
4 PLC ±	WEIGHT	-	CUSTOMER DRAWING			
ANGLES ±		-	SCALE	5:1	SHEET	1 OF 1
						REV
						A5