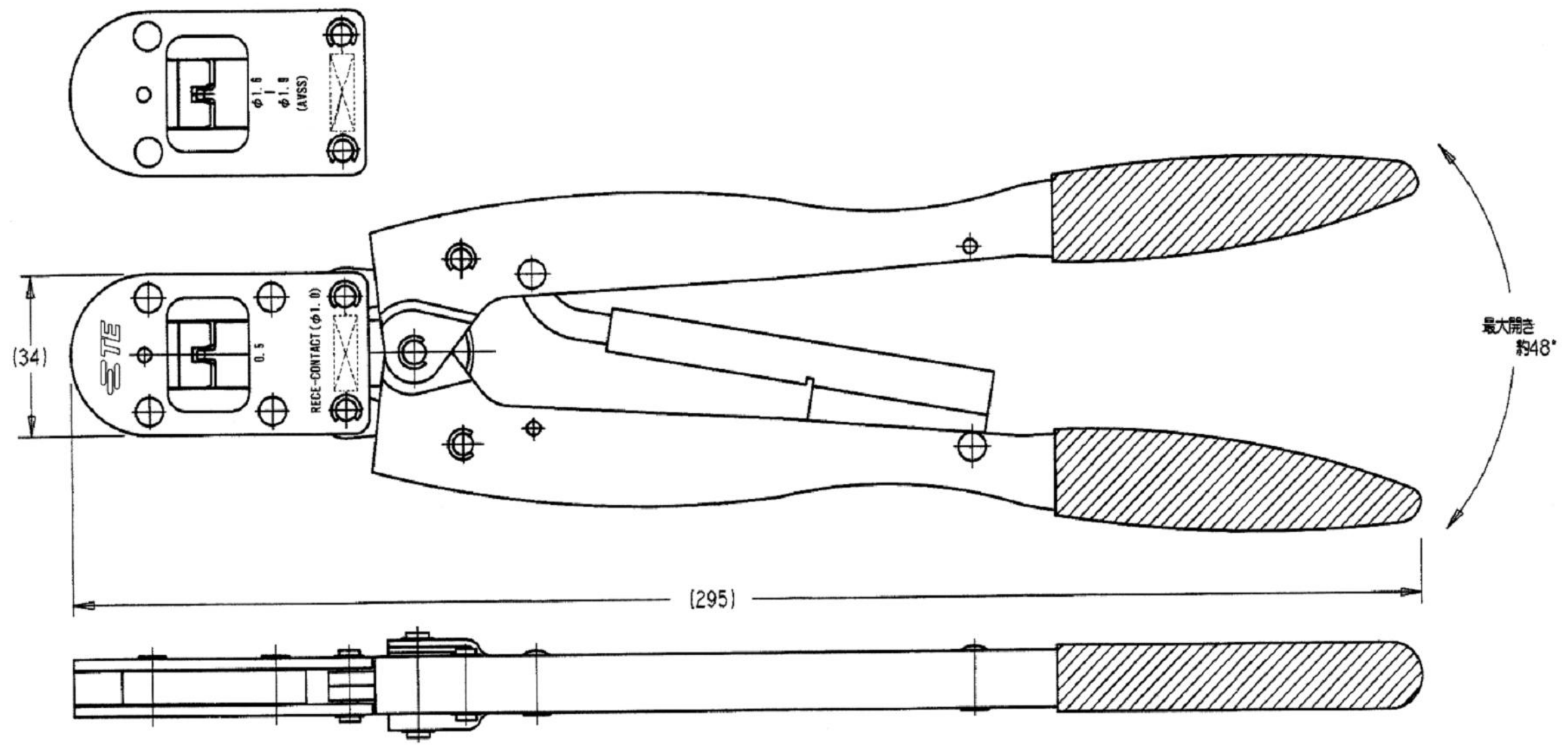


THIS DRAWING IS UNPUBLISHED. RELEASED FOR PUBLICATION 2015  
 © COPYRIGHT 2015 BY TE Connectivity ALL RIGHTS RESERVED.

REVISIONS					
P	LTR	DESCRIPTION	DATE	DWN	APVD
		ECR-15-000881 CORRECTED TE LOGO and FIG	26JUN2015	SN	JK
	A2	ECR-22-153388	12SEP2022	KD	CG


TERMINAL No. 適用端子型番	WIRE SIZE 芯線断面積 [ mm <sup>2</sup> ]	INS. SIZE 被覆径 [ mm ]	CRIMP HEIGHT 圧着高さ [ mm ]	HAND TOOL MANUAL No. 取扱説明書
3-1447221-4	0.5	φ1.6-1.9	0.9±0.1	411-5980

**SUPERSEDED BY 1976144-1**



**SUPERSEDED BY 1976144-1**

旧型番: 3800088-02

THIS DRAWING IS A CONTROLLED DOCUMENT.		DWN K. ISHIZUKA 20JUN2001	 TE Connectivity		
DIMENSIONS: mm		CHK J. KOGA 19JUN2001			
TOLERANCES UNLESS OTHERWISE SPECIFIED:		APVD 19JUN2001	NAME STRAIGHT ACTION HAND TOOL SUPER SEAL REC CONTACT スーパーシール・リセ・コンタクト用ハンドツール		
0 PLC ±- 1 PLC ±- 2 PLC ±- 3 PLC ±- 4 PLC ±- ANGLES ±- FINISH -		PRODUCT SPEC -	SIZE A3	CAGE CODE -	DRAWING NO C=1454509-2
MATERIAL -		APPLICATION SPEC -	WEIGHT -	RESTRICTED TO -	SCALE -
CUSTOMER DRAWING			SHEET 1	OF 1	REV A2

DWG NO 1454509-2  
THIS DRAWING IS A CONTROLLED DOCUMENT

PART NUMBER	REV.
1454509-2	A

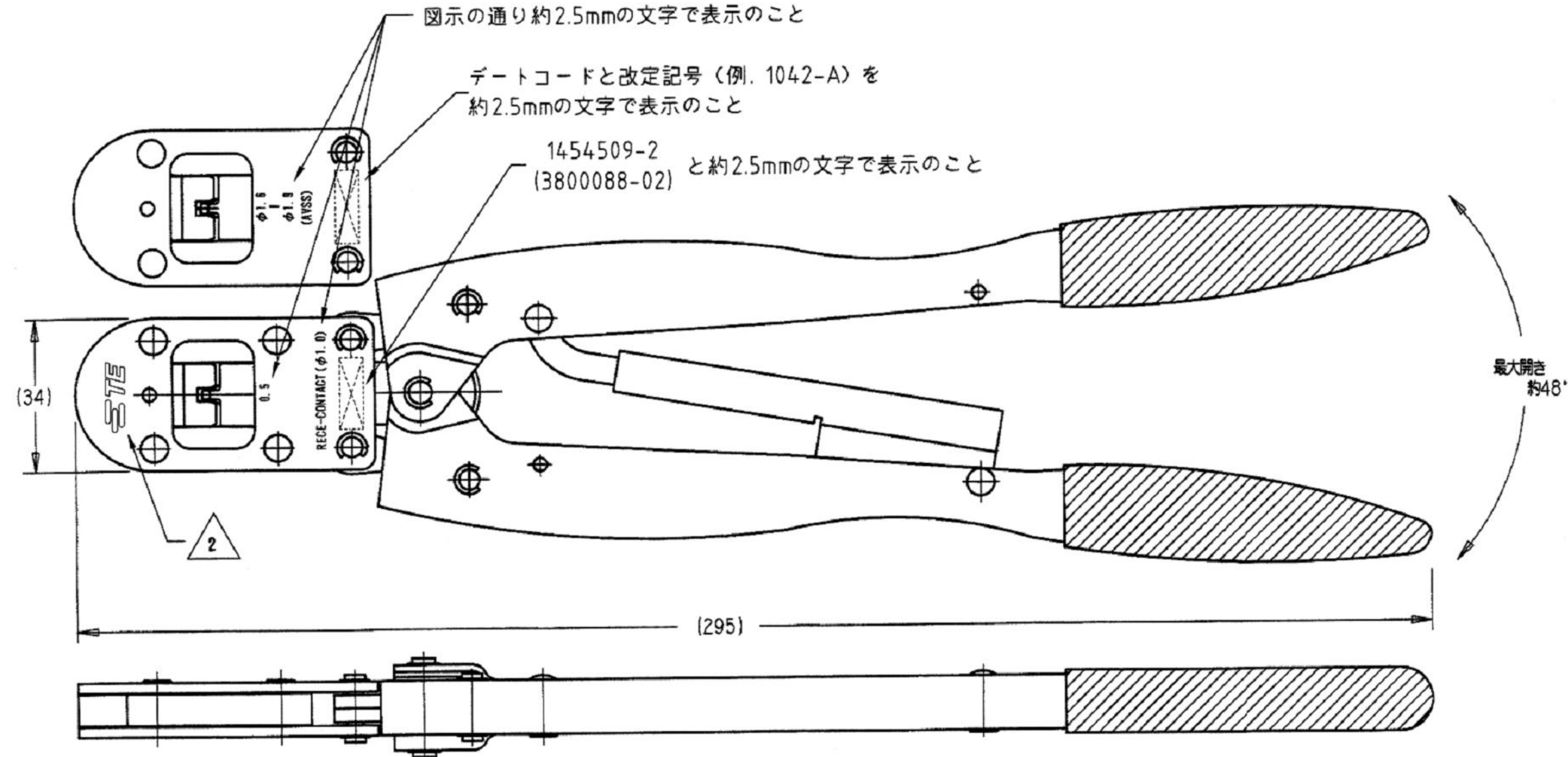
USED ON \_\_\_\_\_

- 1. rev. 19 JUN 2001 desc. 1294 ± 29 N (30 ± 3 kg fr) rev. date rev. dwnv. lapp. 1
- 2. rev. 12 SEP 2022 1043429相当のTEロゴを表示のこと rev. date rev. dwnv. lapp. 2
- 3. rev. 26 JAN 2015 3と改定記号およびTEロゴを除く全ての表示は製造規格10640081に順ずること rev. date rev. dwnv. lapp. 3
- 4. rev. 19 JUN 2001 本工具は下記で製造のこと rev. date rev. dwnv. lapp. 4D

株式会社 新東京エンジニアリング  
〒193-0832  
東京都八王子市散田町5-1-8  
TEL 0426-65-5560 FAX 0426-65-7778

TERMINAL No.	WIRE SIZE [ mm <sup>2</sup> ]	INS. SIZE [ mm ]	CRIMP HEIGHT [ mm ]	HAND TOOL MANUAL No.
3-1447221-4	0.5	φ1.6-1.9	0.9±0.1	411-5980

**SUPERSEDED BY 1976144-1**



**SUPERSEDED BY 1976144-1**

旧型番 : 3800088-02

LTR	REVISION RECORD	DATE	DWN	APVD
A2	ECR-	12SEP2022	KD	CG
	ECR-15-000881 CORRECTED TE LOGO	26JAN2015	SN	JK

DIMENSIONS: mm		TOLERANCES UNLESS OTHERWISE SPECIFIED:	
	0 PLC ±-	1 PLC ±-	2 PLC ±-
	3 PLC ±-	4 PLC ±-	
ANGLE±	-		
SURFACE TEXTURE			

DWN	19 JUN 2001	MATERIAL	-	HEAT TREAT	-
CHK	19 JUN 2001	TE Connectivity			
APVD	19 JUN 2001				
NAME	STRAIGHT ACTION HAND TOOL SUPER SEAL REC CONTACT				
SCALE	SIZE	DRAWING NO	SHEET	OF	REV
-	A3	1454509-2	1	1	A2

THIS INFORMATION IS CONFIDENTIAL AND PROPRIETARY TO TYCO ELECTRONICS CORPORATION AND ITS WORLDWIDE SUBSIDIARIES AND AFFILIATES (TE). IT MAY NOT BE DISCLOSED TO ANYONE, OTHER THAN TE PERSONNEL, WITHOUT AUTHORIZATION FROM TE (www.te.com).